



L-500 LP-GAS & NH3 EQUIPMENT CATALOG

Application Illustrations	1
Regulators & Accessories	A
Cylinder & Service Valves	B
Multivalve® Assemblies	C
Pressure Relief Valves & Relief Valve Manifolds	D
Globe & Angle Valves	E
Excess Flow, Check, Filler & Pressure Vapor Equalizing Valves	F
Internal Valves & Accessories	G
Adapters, Connectors & Fittings	H
Miscellaneous Equipment (Including Rotogage® Dials & ESVs)	J
Repair Kits	R

COUNT ON US

Foreword

This catalog describes a complete line of equipment available from RegO® for use with Liquid Propane (LP)-Gas and anhydrous ammonia (NH₃). The following points are important to know for proper use of the catalog:

1. Illustrations and drawings of individual products are representative of "product groups" and all products within a product group are similar in construction.
2. Materials used for construction of products in this catalog are suitable for rated service pressure at temperatures of -40°F to +165°F, unless otherwise specified.
3. Products in this catalog are only intended for use in LP-Gas and/or anhydrous ammonia service as follows.
 - a. "A" or "AA" prefix — Products with this prefix are suitable for NH₃ service (i.e., contain no brass parts).
 - b. "AA" prefix on relief valves — These valves are NOT suitable for use with LP-Gas service. These are of partial aluminum materials and are listed by Underwriters Laboratories (UL) for NH₃ service only.
 - c. All other products including "A" prefix are suitable for use with LP-Gas & NH₃ service.
 - d. "SS" prefix—Hydrostatic relief valve with this prefix are suitable for NH₃ and LP-Gas service (i.e., they have stainless steel materials).
4. We manufacture valves and adapters designed to be used on LP-Gas and Anhydrous Ammonia systems, we do not design systems or consult in system design. For this type of information consult a professional Engineer.

Caution

Do not use any product contained in this catalog with any service commodity other than LP-Gas or NH₃. If you have a need for use of another application, contact RegO, 100 RegO Drive, Elon, NC 27244, (336) 449-7707 ecii@regoproducts.com before proceeding.

Proper application, installation and maintenance of products in this catalog are essential. Users of these products should obtain further information if there are any doubts or questions.

Warning

All RegO products are mechanical devices that will eventually become inoperative due to wear, corrosion and aging of components made of materials such as rubber. The environment and conditions of use will determine the safe service life of these products. Periodic inspection and maintenance are essential to avoid serious injury and property damage.

Many RegO products are manufactured for storage, transport, transfer and use of toxic flammable and dangerous liquids and gases. Such substances should be handled by experienced and trained personnel only, using accepted governmental and industrial safety procedures. Never vent LP-Gas near any possible source of ignition.

Notice

Installation, usage, and maintenance of all RegO products must be in compliance with all RegO instructions as well as requirements and provisions of NFPA #54, NFPA#58, DOT, ANSI, and all applicable federal, state, provincial and local standards, codes, regulations, and laws.

Inspection and maintenance on a periodic basis is essential. Installation and maintenance should be performed only by qualified personnel.

Be sure all instructions are read and understood before installation, operation and service.

Filters

RegO LP-Gas equipment is designed to operate in a system free from contamination. A variety of in-line filters are commercially available to the LP-Gas industry for installation in domestic systems.

The use of an in-line filter should be considered when other system components may be unclean and the system contaminated by rust, scale, dirt, debris or other foreign material.

Determining the Age of Products

All RegO products are mechanical devices that will eventually become inoperative due to wear, contaminants, corrosion and aging of components made of material such as metal and rubber.

The environment and conditions of use will determine the safe service life of these products. Periodic inspection and maintenance are essential.

Because RegO products have a long and proven record of quality and service, LP-Gas dealers may forget the hazards that can occur because products are used beyond their safe service life.

The life of a product is determined by the environment in which it “lives.” The LP-Gas dealer knows better than anyone what this environment is.

Since 1960, most RegO products are identified with an alphabetical code indicating the month and the year they were manufactured.

Check the product for this code to determine age. If valves or regulators are repainted, take care to keep the date code clear for later identification and inspection.

1960 to 1985 — Two-Letter Date Code

First letter in date code is the month
 A — January G — July
 B — February H — August
 C — March I — September
 D — April J — October
 E — May K — November
 F — June L — December

Relief valves used on ASME tanks carry a numerical code indicating month and year such as 1-75 means January, 1975.

Second letter in date code is the year

R — 1960	A — 1969	J — 1978
S — 1961	B — 1970	K — 1979
T — 1962	C — 1971	L — 1980
U — 1963	D — 1972	M — 1981
V — 1964	E — 1973	N — 1982
W — 1965	F — 1974	O — 1983
X — 1966	G — 1975	P — 1984
Y — 1967	H — 1976	Q — 1985
Z — 1968	I — 1977	

EXAMPLE: DL = April of 1980

From 1985 to 1990 — Digit Date Code

First digit in date code is the month
 1 — January 7 — July
 2 — February 8 — August
 3 — March 9 — September
 4 — April 10 — October
 5 — May 11 — November
 6 — June 12 — December

Second 2 digits in date code are the year

86 — 1986	89 — 1989
87 — 1987	90 — 1990
88 — 1988	

EXAMPLE: 5-87 = May of 1987

After 1990 — Digit-Letter-Digit Date Code

First digit in date code is the month
 1 — January 7 — July
 2 — February 8 — August
 3 — March 9 — September
 4 — April 10 — October
 5 — May 11 — November
 6 — June 12 — December

Letter in date code is the week

A — 1st week
B — 2nd week
C — 3rd week
D — 4th week
E — 5th week

Second 2 digits in date code are the year

91 — 1991	97 — 1997
92 — 1992	98 — 1998
93 — 1993	99 — 1999
94 — 1994	00 — 2000
95 — 1995	01 — 2001
96 — 1996	26 — 2026
03 — 2003	etcetera. . .

EXAMPLE: 6A26 = First week of June, 2026

*Products with the new “See the Difference” laser engraving display the full four digit year

EXAMPLE: 6A2026

Regulator Color Coding

RegO Domestic first stage, second stage, single stage, and integral twin stage LP-Gas regulators are easy to identify. In addition to the standard part number marking which indicates the proper application, each regulator is color coded to help minimize misapplication in the field that can lead

to accidents and costly service callbacks. The color coding system is standard on all 404, LV404, 2302, LV2302, 2403, 2503, LV4403, and LV5503 series domestic LP-Gas regulators manufactured after May of 1986.

- Classic Gold** Indicates a single stage regulator that is designed to be used alone in single stage systems.
- Brilliant Red** Denotes a first stage high pressure regulator, normally used in two-stage applications in conjunction with a select brown second stage regulator.
- Select Brown** Signifies second stage low pressure regulators, designed for use in two-stage systems in conjunction with a brilliant red high pressure regulator — also signifies integral twin stage regulators designed to provide benefits of two-stage regulation in one compact unit.
- Select Blue** Indicates a second stage 2 PSIG delivery pressure regulator and a line pressure regulator downstream to reduce 2 PSIG to appliance pressure
- Green** High pressure pounds to pounds anhydrous ammonia regulator.

The Tradition Continues



THE REGO FACTORY
210-258 E. Ontario Street
Chicago, Illinois

History

From the company that pioneered propane regulators, you expect nothing less than products that lead the industry. For over 110 years, we have been manufacturing gas regulating equipment to the highest standards of precision and durability—standards that we set.



Long Lasting Product

With the largest installed base in the industry, RegO has over 110 years of field proven track record of long lasting service.



Industries Best Partners to Help Support You

Our distributors are the best in the industry. Distributors are indispensable contributors to our success and we treat them as the valuable partners they are. We support our distributors and OEMs with training, inventory and technical support around the world.



Manufacturing Excellence

RegO uses top quality materials and precise robot-assisted manufacturing in our US factories. That means every product has consistent quality.



Quality Design & Manufacturing

Our regulators have stood the test of time. The basic design is ingenious. The materials are top quality. The robot-assisted manufacturing is precise. RegO values the relationships we have with our customers, and we stand behind our products.

A Better Built Valve Means Low Cost of Ownership



100% Testing

All our products are 100% tested at multiple steps in the process from incoming component quality to final assembly testing for leakage, lock up and set pressure.



10 Year Warranty

RegO values the relationships we have with our customers, and we stand behind our products. We support our channel partners with ongoing training and technical assistance. Quality materials, innovations and long lasting design are built into every product we manufacture. That's how we can offer the RegO 10 Year Warranty, double that offered by most manufacturers.



25 Year Silver Service Life

RegO Regulators stand the test of time. With an Industry leading 25 year recommended service life our regulators provide a lower cost of ownership and reliable service.



Supply Chain Management

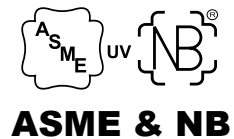
RegO utilizes the Production Part Approval Process (PPAP) in our supply chain. Critical measurements are taken of all components parts to ensure quality and reliability.

World-class quality—but don't just take our word for it.

RegO builds products that last. Our durable materials, proven designs, and rigorous testing, all add up to products designed for years of operations under harsh conditions. With internal standards like these, it's no wonder that RegO quality is recognized the world over.



ISO 9001:2015



RegO Innovations - The Tradition Continues

From the company that pioneered propane regulators, you expect nothing less than products that lead the industry. For over 110 years, we have been manufacturing gas regulating equipment to the highest standards of precision and durability—standards that we set.

Our regulators have stood the test of time. The basic design is ingenious. The materials are top quality. The robot-assisted manufacturing is precise. RegO values the relationships we have with our customers, and we stand behind our products.

Our distributors are the best in the industry. Distributors are

indispensable contributors to our success and we treat them as the valuable partners they are. We support our distributors with training, inventory and technical support.

10 Year Warranty on All Products
The RegO 10 Year Warranty is double what most manufacturers offer.

All of our regulators are designed, assembled and tested in North Carolina. Products Made in the USA allow us to maintain our strict quality control standards that are unmatched by any other company. Every single unit is rigorously tested before it goes out the door.

See The Difference

Easy to Service

Seat Discs can be easily accessed by service techs for repair or replacement.

Standard Tools

Bonnet cap requires only hand tightening to ensure a tight seal - no wrench required.

Gas Check Labels

2 Gas Check stickers with product information are included for ease of record keeping.

Double the Warranty

The RegO 10 Year Warranty is double what most manufacturers offer.

Easy to Buy

Supported by the largest network of distributors worldwide.



Easy to Identify

Our bonnet design features patented laser engraved information (part number, date code of manufacture, outlet pressure and serial number) that is easy to see and matches stickers provided for gas check and record keeping.

Easy to Install

Service tech friendly wrench flats for use with an adjustable wrench. Mounting screws included.

Superior Design

Superior vent design has a flathead screwdriver slot for easy removal & minimizes water entering the regulator bonnet.

1

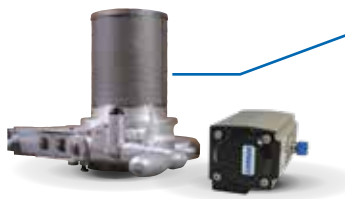
Section 1 **Application Illustrations**

RegO Bulk Transport Solutions

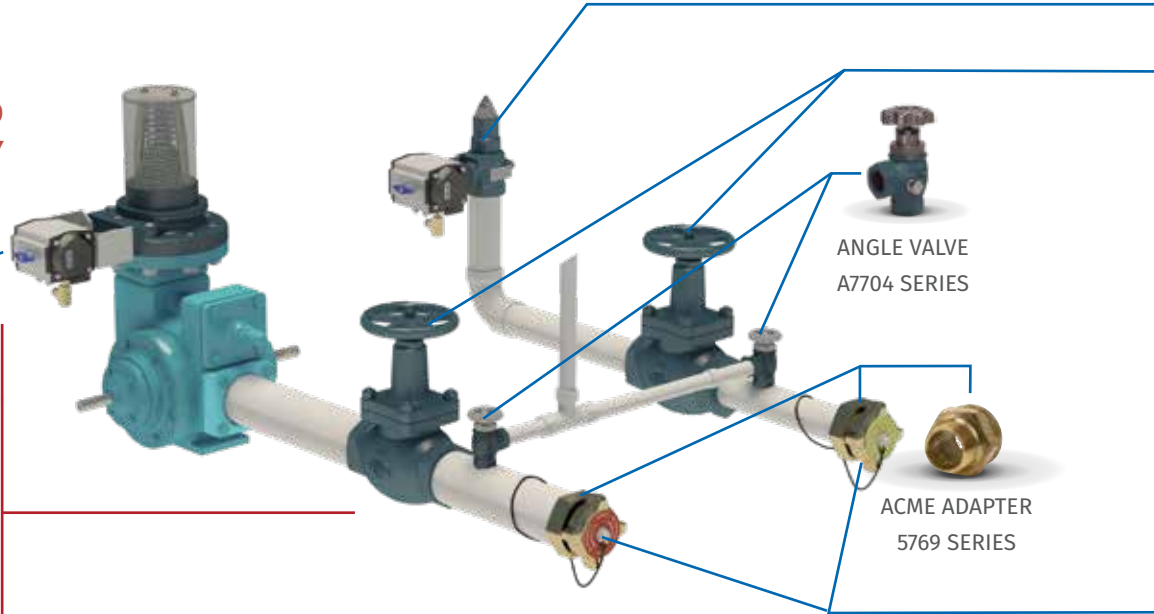
Breadth of line meets depth of knowledge

Combine our industry experience, product design experience and broad product line to build a flow control system that enables maximum efficiency and excellent value for bulk transport applications.

INTERNAL VALVE AND PUMP ASSEMBLY

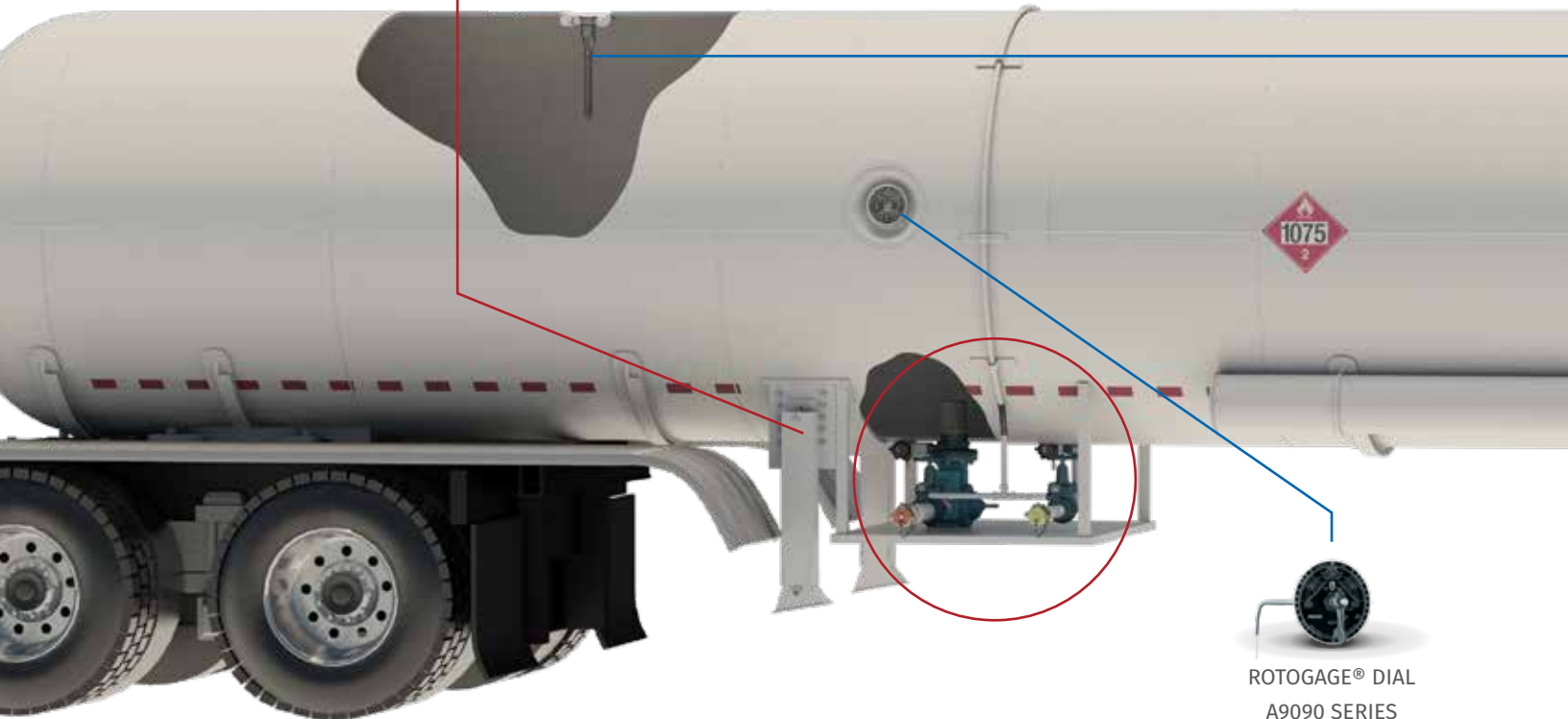


INTERNAL VALVE WITH ROTARY ACTUATOR
A3219 SERIES
A3219FA SERIES

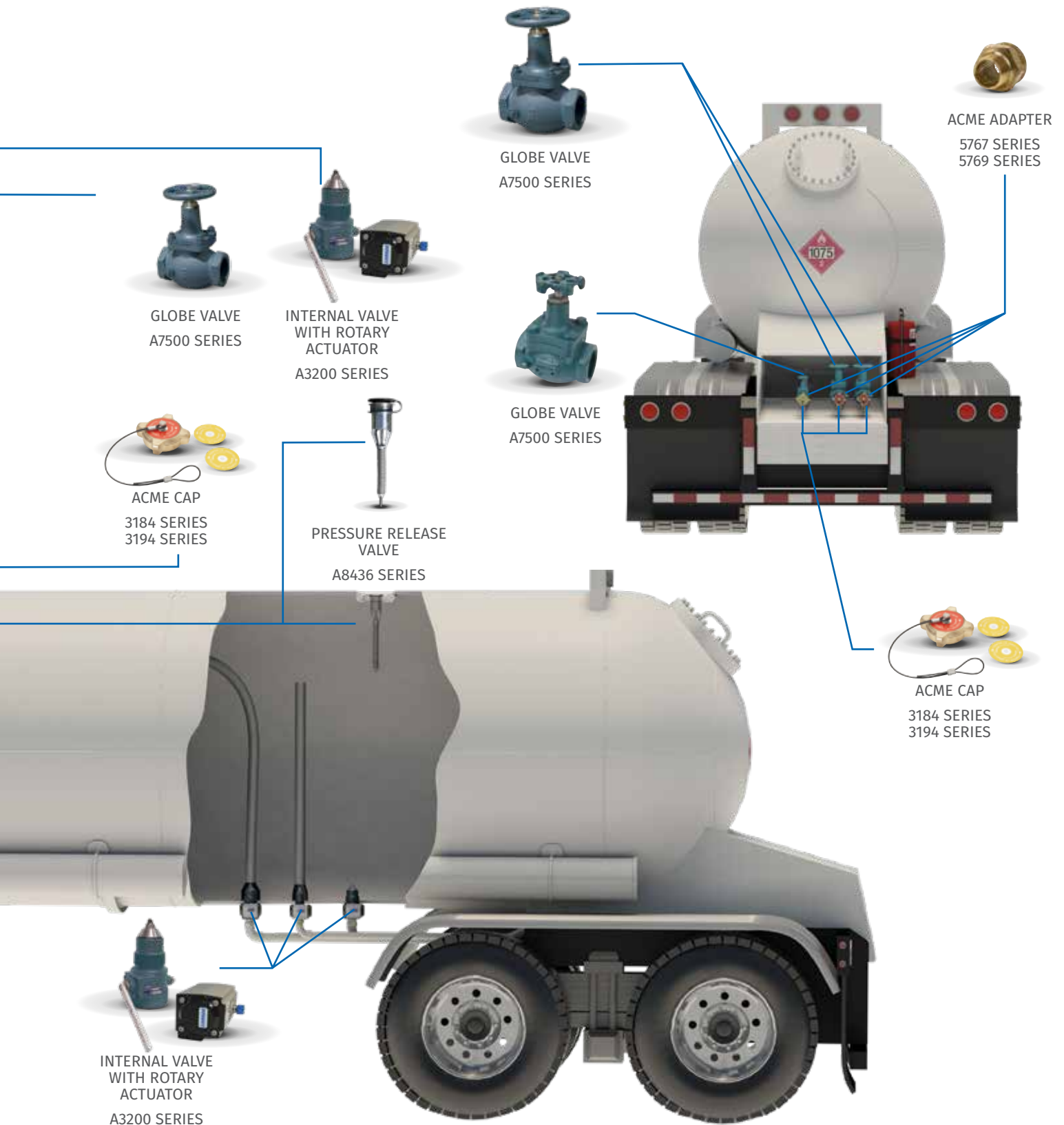


ANGLE VALVE
A7704 SERIES

ACME ADAPTER
5769 SERIES



ROTOGAGE® DIAL
A9090 SERIES



The illustrations in this application guide are intended to inform a professional installer/system designer where our valves are generally installed on certain containers or applications. **These illustrations are not intended for and must not be used for system design.**

RegO Bulk Storage Solutions

A complete portfolio for your entire system.

Backed by our industry-leading, 10-year warranty and expert technical support, reliable RegO products are designed and built to deliver years of worry-free performance.



DELTAPOINT
8530 SERIES



MULTIPORT™
A8560 SERIES
A8570 SERIES



FEMALE ACME
CONNECTOR
3181 SERIES



PULL AWAY
COUPLING
A2141A SERIES



ANGLE VALVE
A7500 SERIES



GLOBE VALVE
A7500 SERIES

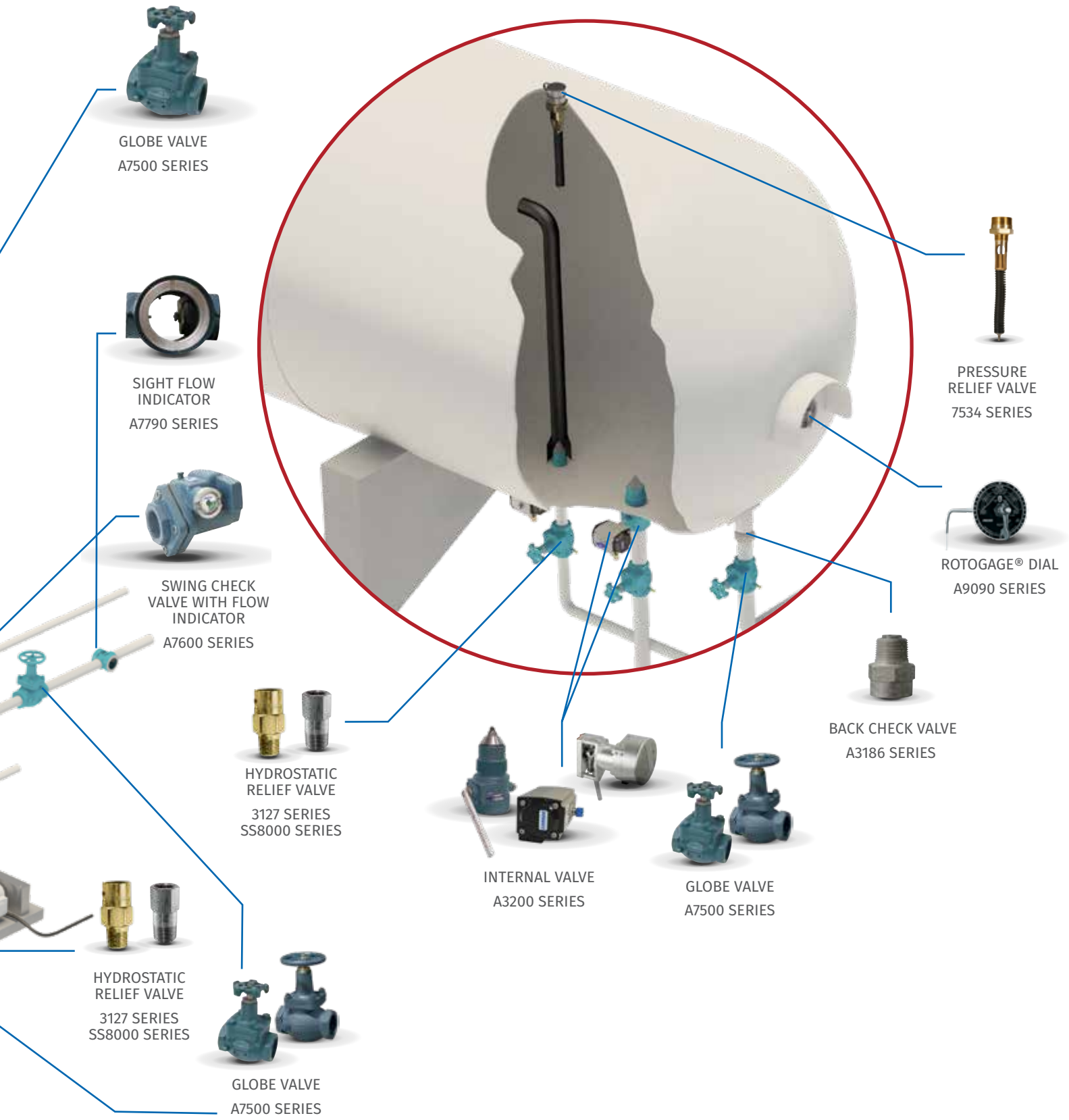


BACK CHECK VALVE
A3186 SERIES



EMERGENCY
SHUT-OFF VALVE
LIQUID OR VAPOR

A6010 SERIES
A6016 SERIES
A6024 SERIES

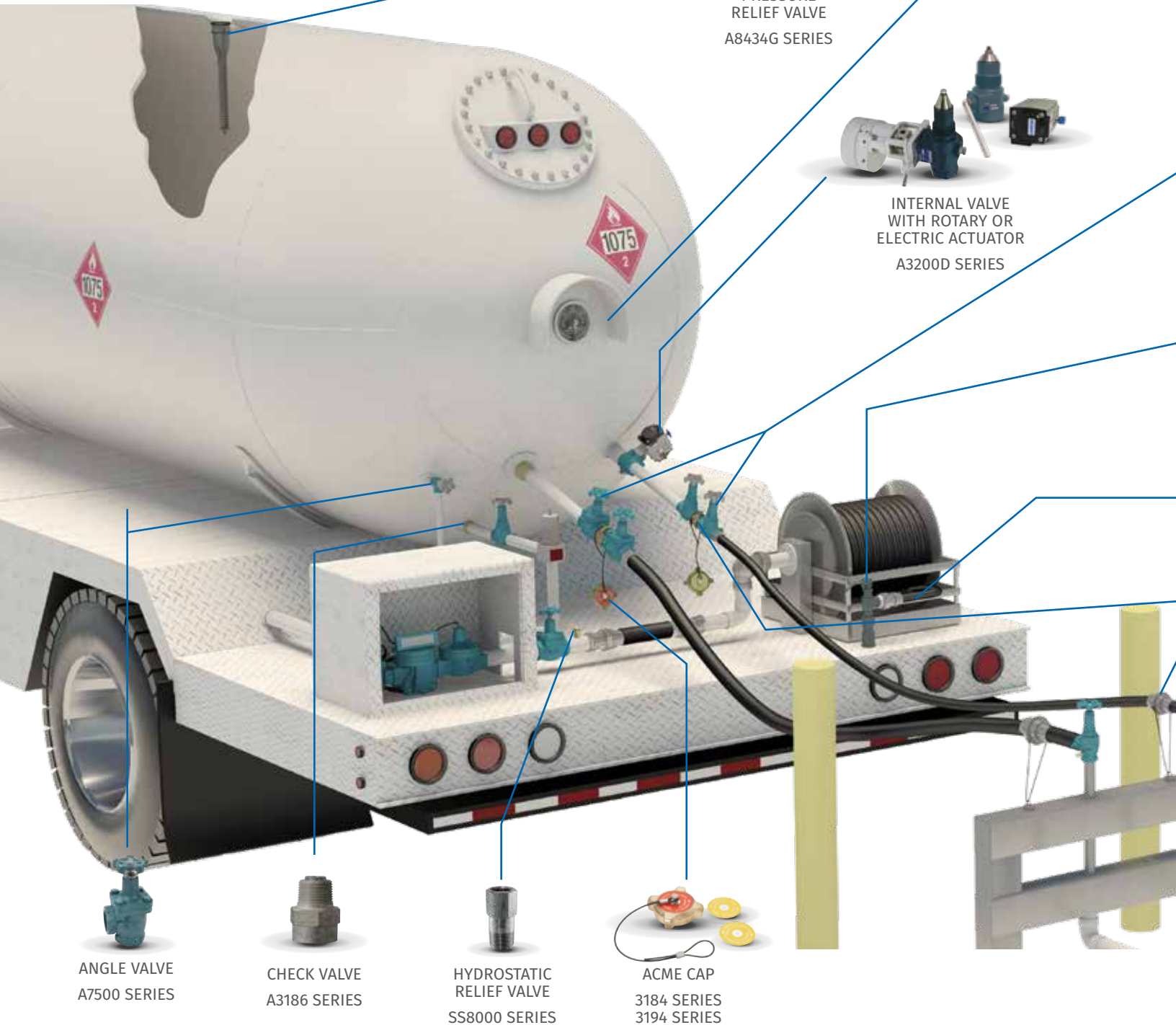


The illustrations in this application guide are intended to inform a professional installer/system designer where our valves are generally installed on certain containers or applications. **These illustrations are not intended for and must not be used for system design.**

RegO Bobtail Delivery Solutions

Delivering peace of mind—and profitability.

Dependability, safety and speed are key drivers for transporting LP-Gas. All RegO products are 100% tested to withstand the rigors of day-to-day operations. They're easy-to-use, and open and shut securely for faster flow rates and maximum safety.



PRESSURE RELIEF VALVE
A8434G SERIES

ROTOGAGE® DIAL
A9090 SERIES

INTERNAL VALVE WITH ROTARY OR ELECTRIC ACTUATOR
A3200D SERIES

ANGLE VALVE
A7500 SERIES

CHECK VALVE
A3186 SERIES

HYDROSTATIC RELIEF VALVE
SS8000 SERIES

ACME CAP
3184 SERIES
3194 SERIES



BOBTAIL PUMP ASSEMBLY

GLOBE VALVE
A7500 SERIES

HOSE END VALVE
A7797A/L SERIES

HOSE END ADAPTERS
7577 SERIES
3179 SERIES

AVAILABLE ROTARY
ACTUATOR
A3200RA/OA SERIES

INTERNAL VALVE
A3217 SERIES
OR FLOMATIC®
A7883 SERIES

ACME ADAPTER
5767 SERIES
5769 SERIES

PULL AWAY
COUPLING
A2141A SERIES

HYDROSTATIC
RELIEF VALVE
3127 SERIES
SS8000 SERIES

ANGLE VALVE
A7500 SERIES

EMERGENCY
SHUT-OFF VALVE
LIQUID OR VAPOR
A6010 SERIES
A6016 SERIES
A6024 SERIES

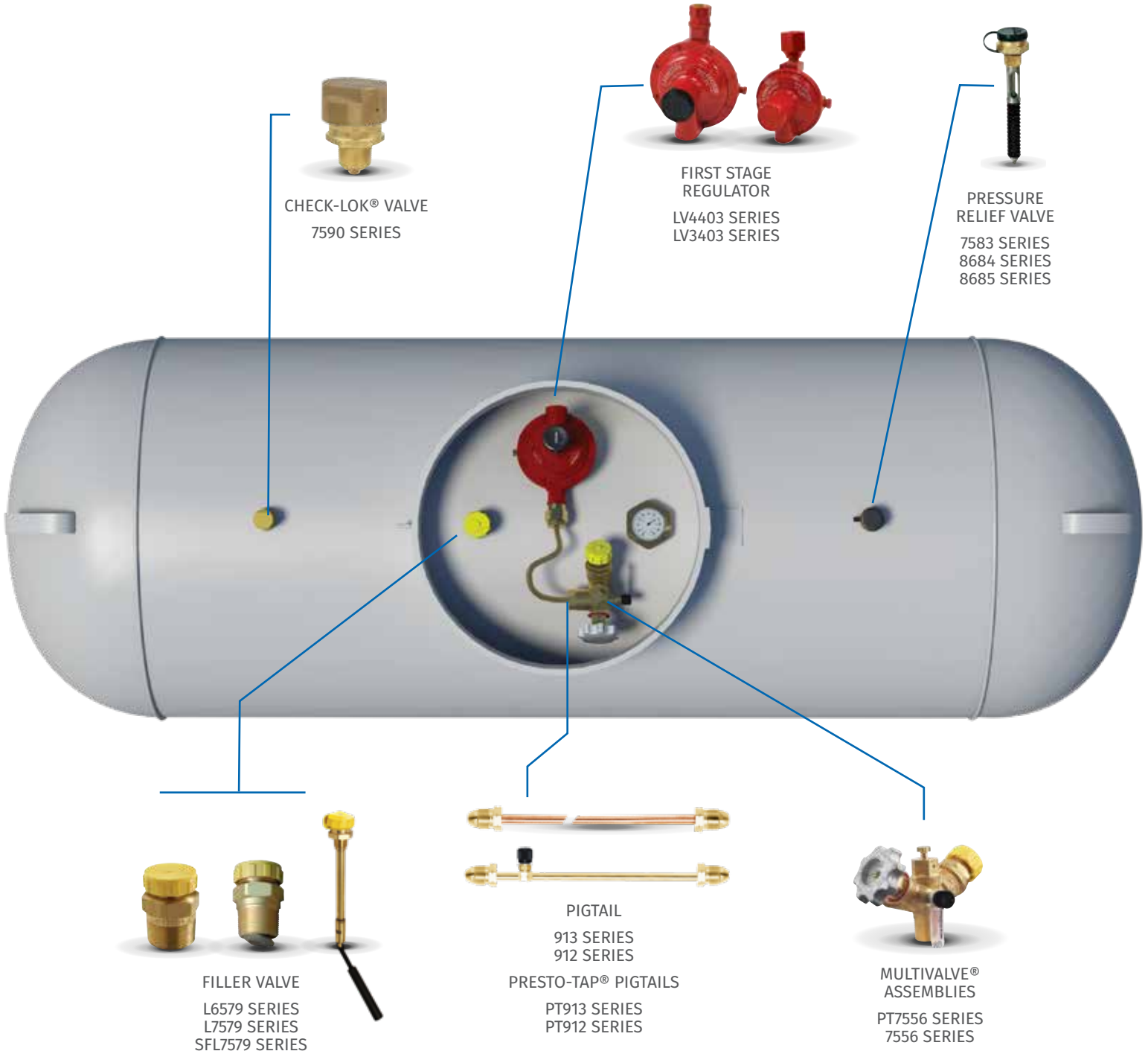
The illustrations in this application guide are intended to inform a professional installer/system designer where our valves are generally installed on certain containers or applications. **These illustrations are not intended for and must not be used for system design.**

RegO Domestic Solutions

Built-in quality, for superior reliability.

High-grade metals, expert engineering, a skilled U.S. workforce, advanced manufacturing techniques and 100% testing is the formula for RegO quality. Quality that delivers years of dependable performance, lower costs, fewer service calls and more satisfied end users.

ABOVE GROUND TANK



DOT CONTAINER TANK

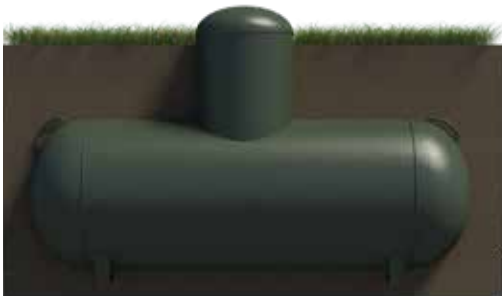


TWIN STAGE
REGULATOR
LV404B SERIES
LV404Y SERIES

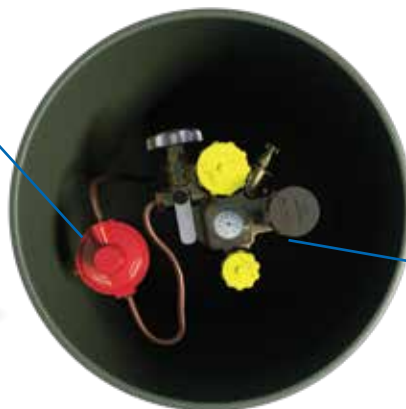


**SECOND STAGE
REGULATOR**

UNDERGROUND TANK



FIRST STAGE
REGULATOR
LV4403 SERIES
LV3403 SERIES



UNDERGROUND
MULTIVALVE®
ASSEMBLY
PG8475 SERIES



SECOND STAGE
REGULATOR
LV3403 SERIES
LV4403 SERIES
LV5503 SERIES

The illustrations in this application guide are intended to inform a professional installer/system designer where our valves are generally installed on certain containers or applications. **These illustrations are not intended for and must not be used for system design.**

RegO Cylinder Solutions

DOT & ASME: A complete portfolio of performance.

Whether it's the hard working service valve or the patented RegO Multivalve® assembly, you can count on years of fast, secure liquid and vapor transfer for your cylinders—and your customers.



CYLINDER VALVE
LIQUID & VAPOR
WITHDRAWAL
8556 SERIES



MULTIVALVE®
ASSEMBLY
LIQUID
WITHDRAWAL
8555DL SERIES



CYLINDER VALVE
LIQUID
WITHDRAWAL
9107K8A SERIES



CYLINDER VALVE
VAPOR
WITHDRAWAL
9103 SERIES



SERVICE VALVE
DOT & ASME
*9101 SERIES
*9102 SERIES



DOUBLE CHECK
FILLER VALVE
DOT & ASME
**7647 SERIES
**L7579 SERIES



MULTIVALVE®
ASSEMBLIES
VAPOR
WITHDRAWAL
DOT
6533 SERIES
6543 SERIES
ASME
6532R/6542R



PRESSURE
RELIEF VALVE
DOT
8544K SERIES
ASME
8544G SERIES



MULTIVALVE®
ASSEMBLY
VAPOR
WITHDRAWAL
*6555 SERIES
(UP TO 60 GALLON
W.C. ASME
CONTAINERS)



MULTIVALVE®
ASSEMBLY
VAPOR
WITHDRAWAL
*8555 SERIES
(UP TO 200 LB. DOT)



DOT 420 LBS.



ASME 120 GAL W.C.



ASME 60 GAL W.C.



DOT 100 LBS.



DOT 200 LBS.

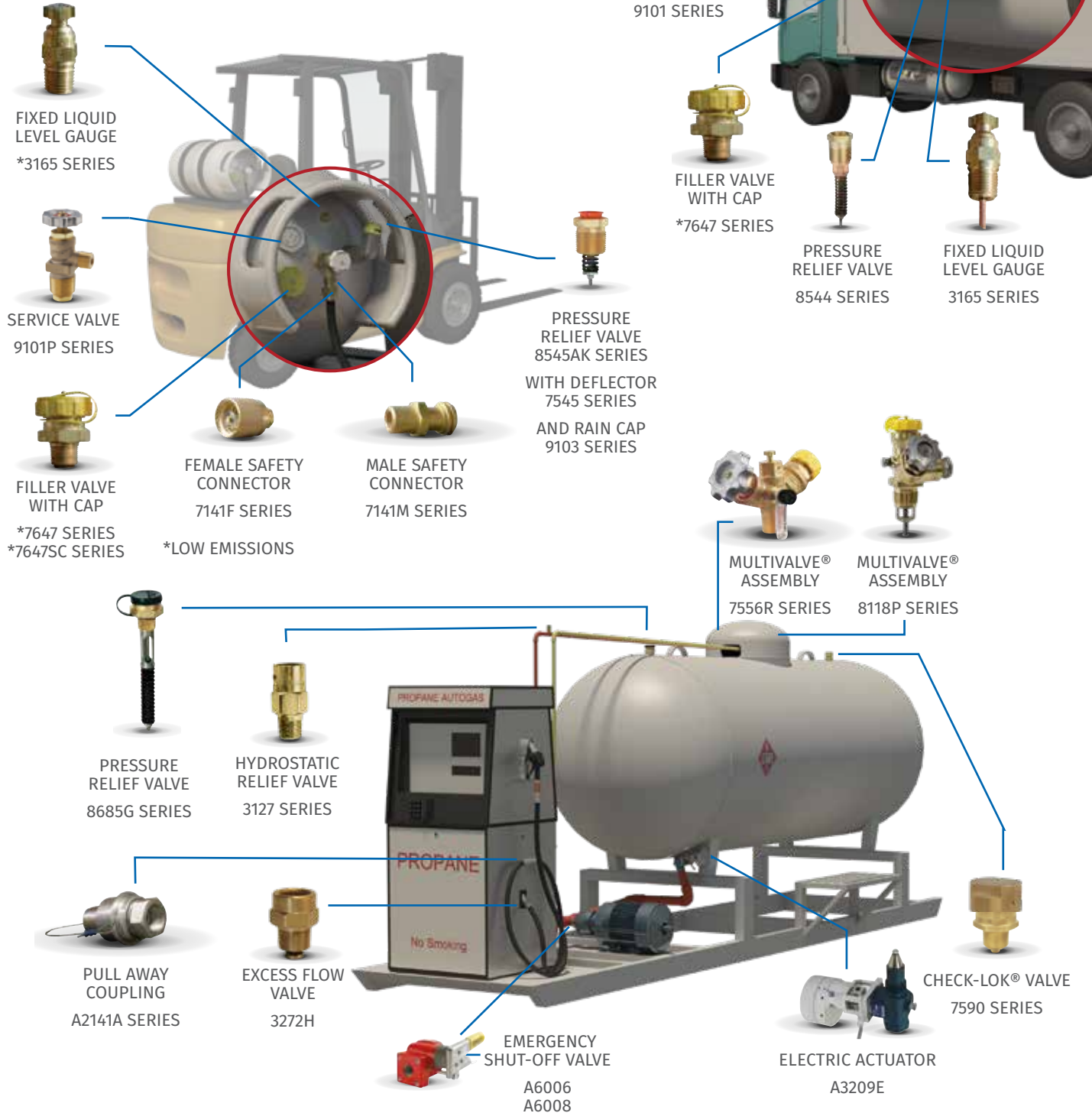
*LOW EMISSION VERSION AVAILABLE

** STANDARD LOW EMISSION PRODUCTS

RegO Auto Gas Solutions

Mile after mile, or up and down the aisle

Engineered for years of economical operation and quick fill-ups, RegO's heavy-duty valves and tight seals keep you rolling.



The illustrations in this application guide are intended to inform a professional installer/system designer where our valves are generally installed on certain containers or applications. **These illustrations are not intended for and must not be used for system design.**

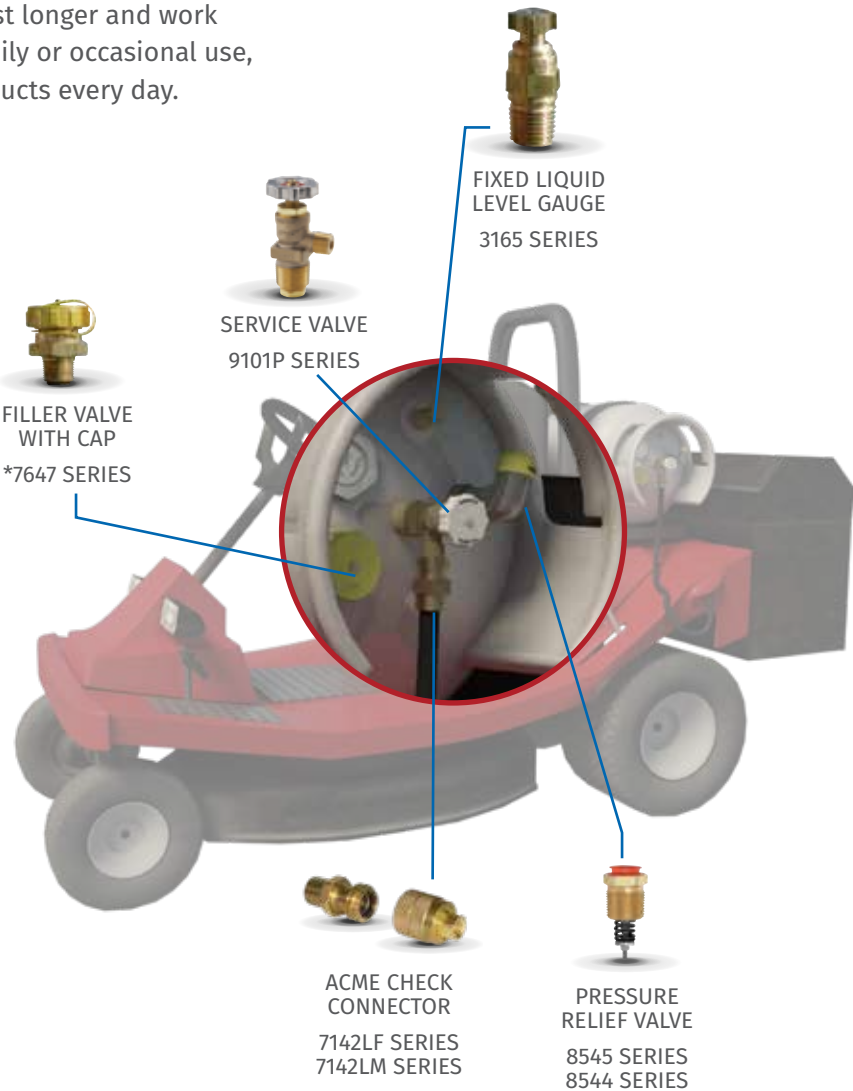
RegO Outdoor & Recreational Solutions

RegO works weekends—and every other day

Our superior products are designed to fill faster, last longer and work reliably for years. Whether your application gets daily or occasional use, one thing is for sure—RegO stands behind our products every day.



REGULATOR
302 SERIES

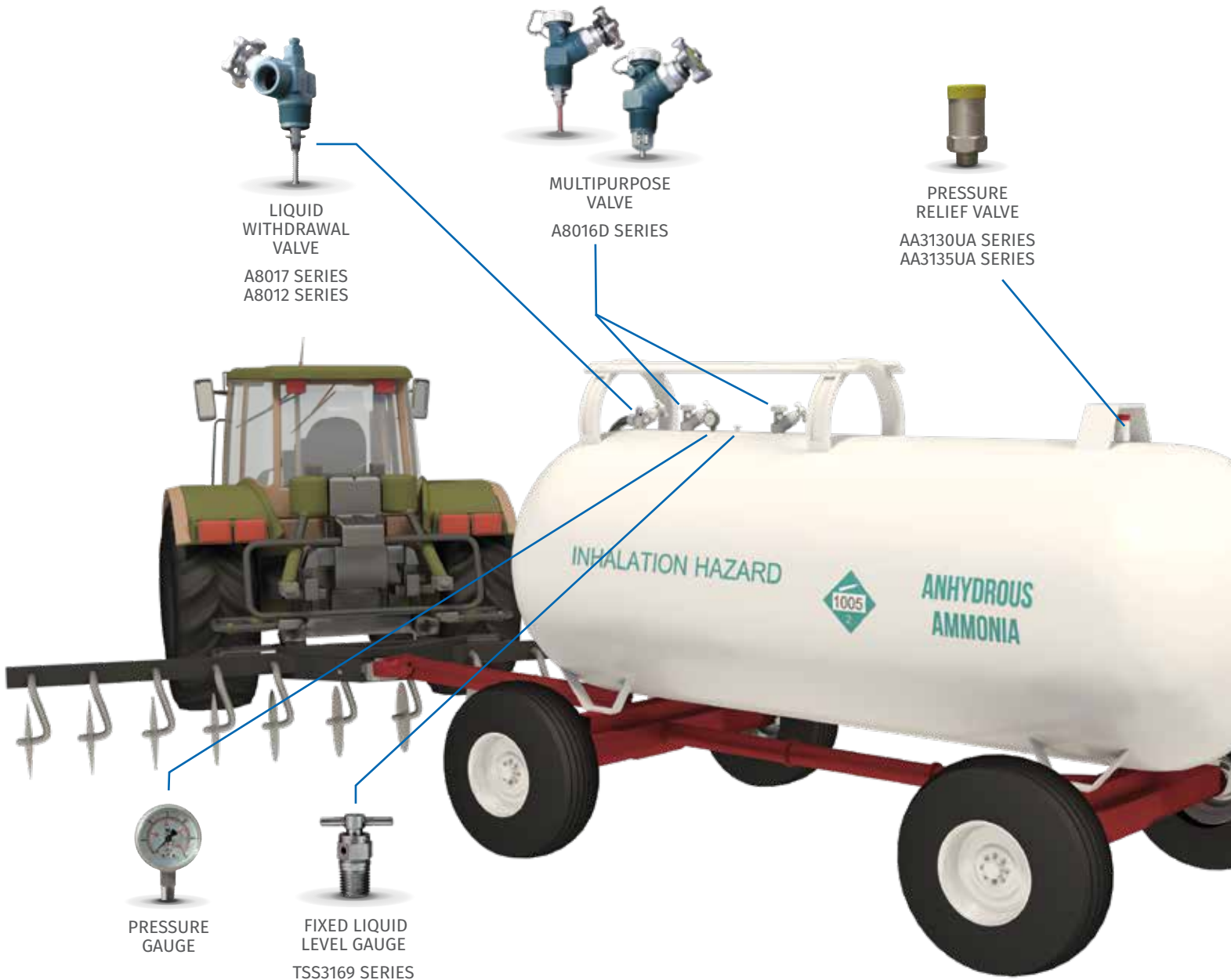


*LOW EMISSIONS

RegO Anhydrous Ammonia Solutions

You can bet the farm on our performance

Demanding applications require products you can trust. RegO offers more NH₃ options, and they are all backed with our industry-leading 10-year warranty to help your customers improve their yields with safe, even applications year after year.



LIQUID
WITHDRAWAL
VALVE
A8017 SERIES
A8012 SERIES

MULTIPURPOSE
VALVE
A8016D SERIES

PRESSURE
RELIEF VALVE
AA3130UA SERIES
AA3135UA SERIES

PRESSURE
GAUGE

FIXED LIQUID
LEVEL GAUGE
TSS3169 SERIES

The illustrations in this application guide are intended to inform a professional installer/system designer where our valves are generally installed on certain containers or applications. **These illustrations are not intended for and must not be used for system design.**

Section A
Regulators and Accessories



RegO Limited Express Warranty and Limitation of Liability

10-YEAR LIMITED EXPRESS WARRANTY

NOTICE

Failure to install parts exactly as described in the instructions could result in a product that will not perform properly or satisfactorily. Even if parts are correctly installed, the product might fail to perform properly or satisfactorily if other parts are worn, corroded or dirty. Improper repair can cause leaks and malfunction, which could result in significant bodily injury, including death and/or property damage. Any such use or installation of parts must ONLY be done by experienced and properly trained personnel using accepted governmental and industrial safety procedures. Engineered Controls International, LLC ("RegO") assumes no responsibility or liability for performance of products repaired in the field. It must be clearly understood that the person or organization repairing any product(s) in the field assumes total responsibility for the safe and proper performance of the product.

WARNING

All RegO products are mechanical devices that will eventually become inoperative due to wear, corrosion and aging of components made of materials such as rubber, plastic, etc. The environment and conditions of use will determine the safe service life of these products. Periodic inspection and maintenance are essential to avoid serious injury and property damage. Many RegO products are manufactured components which are incorporated by others on or in other products or systems used for storage, transport, transfer and otherwise for use of toxic, flammable and dangerous liquids and gases. Such substances must be handled by experienced and trained personnel only, using accepted governmental and industrial safety procedures.

LP-Gas is a highly explosive and flammable gas that should never be vented near a possible ignition source.

10-YEAR LIMITED EXPRESS WARRANTY

RegO warrants products and repair kits manufactured by it (other than its Presto-Link and Presto-Tap products) to be free from defects in materials and workmanship under normal use and service for a period of 10 years from the date of manufacture. If within 30 days after buyer's discovery of what buyer believes is a defect, buyer notifies RegO thereof in writing and ships the product (at buyer's expense) to RegO at 100 RegO Drive, Elon, N.C. 27244, RegO, at its option, and within 45 days, will repair, replace F.O.B. point of manufacture, or refund the purchase price of that part or product found by it to be defective. Failure of buyer to give such written notice and return the product within 30 days shall be deemed an absolute and unconditional waiver of any and all claims of buyer arising out of such defect. This limited express warranty does not extend to any product or part that is not installed and used continuously after installation in accordance with RegO's printed instructions, all applicable state and local regulations, and all applicable national standards, such as those promulgated by NFPA, DOT and ANSI. This limited express warranty does not extend to any product or part that has been damaged by accident, misuse, abuse, failure to maintain or neglect, nor does it extend to any product or part which has been modified, altered, disassembled or repaired in the field. This limited express warranty does not cover any cosmetic issues, such as scratches, dents, marring, fading of colors or discoloration.

EXCEPT AS EXPRESSLY SET FORTH ABOVE, AND SUBJECT TO THE LIMITATION OF LIABILITY BELOW, REGO MAKES NO OTHER WARRANTY, AND EXPRESSLY DISCLAIMS, ANY EXPRESS OR IMPLIED WARRANTIES, INCLUDING BUT NOT LIMITED TO THE IMPLIED WARRANTIES OF MERCHANTABILITY AND FITNESS FOR A PARTICULAR PURPOSE AND AGAINST HIDDEN OR LATENT DEFECTS, WITH RESPECT TO ITS PRODUCTS AND PARTS, WHETHER USED ALONE OR IN A COMBINATION WITH OTHERS. REGO DISCLAIMS ALL WARRANTIES NOT STATED HEREIN.

This limited express warranty is given by Engineered Controls International, LLC, of 100 RegO Drive Elon, N.C. 27244 USA, (336) 449-7707.

LIMITATION OF LIABILITY

RegO total liability for any and all losses and damages arising out of any cause whatsoever shall in no event exceed the purchase price of the products or parts in respect of which such a cause arises, whether such cause be based on theories of contract, negligence, strict liability, tort or otherwise. RegO shall not be liable for incidental, consequential or punitive damages or other losses. RegO shall not be liable for, and buyer assumes liability for all personal injury and property damage connected with the handling, transportation, possession, further manufacture, other use or resale of products, whether used alone or in combination with any other products or material. From time to time buyers might call to ask RegO for technical advice based upon limited facts disclosed to RegO. If RegO furnishes technical advice to buyer, whether at buyer's request, with respect to application, further manufacture or other use of the products and parts, RegO shall not be liable for such technical advice provided to buyer by any third party and buyer assumes all risk of such advice and the results thereof.

NOTE:

Some states do not allow the exclusion or limitation of incidental, consequential or punitive damages, so the above limitation or exclusion may not apply to you. This warranty gives you specific legal rights, and you may have other rights that vary from state to state. The portions of this limited express warranty and limitation of liability shall be considered severable and all portions which are not disallowed by applicable law shall remain in full force and effect. The benefits given by the limited express warranty above are in addition to any other rights and remedies to which you may be entitled by law.

NOTE TO AUSTRALIAN PURCHASERS:

The following applies if you purchased this product as a "consumer" as defined in the Australian Consumer Law. Our goods come with guarantees that cannot be excluded under the Australian Consumer Law. You are entitled to a replacement or refund for a major failure and compensation for any other reasonably foreseeable loss or damage. You are also entitled to have the goods repaired or replaced if the goods fail to be of acceptable quality and the failure does not amount to a major failure. Information regarding how to return a product and make a claim under this limited express warranty is set forth below. Nothing in this document purports to modify or exclude your rights if any under the Australian Consumer Law, or other laws which cannot be lawfully be modified or excluded.

NOTICE TO USERS OF PRODUCTS

The limited express warranty stated above is a factory warranty to the first purchasers of RegO products. Since most users have purchased these products from RegO distributors, to make a claim under this limited express warranty the user must, within 30 days after the user's discovery of what the user believes is a defect, notify in writing the distributor from whom he purchased the product or parts, and return the product or parts (at the user's expense) to that distributor. The distributor may or may not at the distributor's option, choose to submit the product or parts to RegO, pursuant to its limited express warranty. Failure by buyer to give such written notice within 30 days shall be deemed an absolute and unconditional waiver of buyer's claim for such defects. Acceptance of any alleged defective product or parts by RegO distributor for replacement or repairs under terms of RegO limited express warranty in no way obligates RegO to the terms of the above warranty. Because of a policy of continuous product improvement, RegO reserves the right to change designs, materials or specification without notice.

Except as expressly set out above, RegO makes no warranties in relation to RegO products and RegO's liability in respect of any allegedly defective product is limited to the cost of replacing or repairing the product.

100 RegO Drive, Elon, N.C. 27244 U.S.A. Phone +1 (336) 449-7707 Fax (336) 449-6594 www.regoproducts.com RegO is a registered trademark of Engineered Controls International, LLC.

RegO Limited Express Warranty and Limitation of Liability

18-MONTH LIMITED EXPRESS WARRANTY

NOTICE

Failure to install parts exactly as described in the instructions could result in a product that will not perform properly or satisfactorily. Even if parts are correctly installed, the product might fail to perform properly or satisfactorily if other parts are worn, corroded or dirty. Improper repair can cause leaks and malfunction, which could result in significant bodily injury, including death and/or property damage. Any such use or installation of parts must ONLY be done by experienced and properly trained personnel using accepted governmental and industrial safety procedures. Engineered Controls International, LLC ("RegO") assumes no responsibility or liability for performance of products repaired in the field. It must be clearly understood that the person or organization repairing any product(s) in the field assumes total responsibility for the safe and proper performance of the product.

WARNING

All RegO products are mechanical devices that will eventually become inoperative due to wear, corrosion and aging of components made of materials such as rubber, plastic, etc. The environment and conditions of use will determine the safe service life of these products. Periodic inspection and maintenance are essential to avoid serious injury and property damage. Many RegO products are manufactured components which are incorporated by others on or in other products or systems used for storage, transport, transfer and otherwise for use of toxic, flammable and dangerous liquids and gases. Such substances must be handled by experienced and trained personnel only, using accepted governmental and industrial safety procedures.

LP-Gas is a highly explosive and flammable gas that should never be vented near a possible ignition source.

18-MONTH LIMITED EXPRESS WARRANTY

RegO warrants its Presto-Link and Presto-Tap products to be free from defects in materials and workmanship under normal use and service for a period of 12 months from the date of installation or operation or 18 months from the date of shipment from the factory, whichever is earlier. If within 30 days after buyer's discovery of what buyer believes is a defect, buyer notifies RegO thereof in writing and ships the product (at buyer's expense) to RegO at 100 RegO Drive, Elon, N.C. 27244, RegO, at its option, and within 45 days, will repair, replace F.O.B. point of manufacture, or refund the purchase price of that part or product found by it to be defective. Failure of buyer to give such written notice and return the product within 30 days shall be deemed an absolute and unconditional waiver of any and all claims of buyer arising out of such defect. This limited express warranty does not extend to any product or part that is not installed and used continuously after installation in accordance with RegO's printed instructions, all applicable state and local regulations, and all applicable national standards, such as those promulgated by NFPA, DOT and ANSI. This limited express warranty does not extend to any product or part that has been damaged by accident, misuse, abuse, failure to maintain or neglect, nor does it extend to any product or part which has been modified, altered, disassembled or repaired in the field. This limited express warranty does not cover any cosmetic issues, such as scratches, dents, marring, fading of colors or discoloration.

EXCEPT AS EXPRESSLY SET FORTH ABOVE, AND SUBJECT TO THE LIMITATION OF LIABILITY BELOW, REGO MAKES NO OTHER WARRANTY, AND EXPRESSLY DISCLAIMS, ANY EXPRESS OR IMPLIED WARRANTIES, INCLUDING BUT NOT LIMITED TO THE IMPLIED WARRANTIES OF MERCHANTABILITY AND FITNESS FOR A PARTICULAR PURPOSE AND AGAINST HIDDEN OR LATENT DEFECTS, WITH RESPECT TO ITS PRODUCTS AND PARTS, WHETHER USED ALONE OR IN A COMBINATION WITH OTHERS. REGO DISCLAIMS ALL WARRANTIES NOT STATED HEREIN.

This limited express warranty is given by Engineered Controls International, LLC, of 100 RegO Drive Elon, N.C. 27244 USA, (336) 449-7707.

LIMITATION OF LIABILITY

RegO total liability for any and all losses and damages arising out of any cause whatsoever shall in no event exceed the purchase price of the products or parts in respect of which such a cause arises, whether such cause be based on theories of contract, negligence, strict liability, tort or otherwise. RegO shall not be liable for incidental, consequential or punitive damages or other losses. RegO shall not be liable for, and buyer assumes liability for all personal injury and property damage connected with the handling, transportation, possession, further manufacture, other use or resale of products, whether used alone or in combination with any other products or material. From time to time buyers might call to ask RegO for technical advice based upon limited facts disclosed to RegO. If RegO furnishes technical advice to buyer, whether at buyer's request, with respect to application, further manufacture or other use of the products and parts, RegO shall not be liable for such technical advice provided to buyer by any third party and buyer assumes all risk of such advice and the results thereof.

NOTE:

Some states do not allow the exclusion or limitation of incidental, consequential or punitive damages, so the above limitation or exclusion may not apply to you. This warranty gives you specific legal rights, and you may have other rights that vary from state to state. The portions of this limited express warranty and limitation of liability shall be considered severable and all portions which are not disallowed by applicable law shall remain in full force and effect. The benefits given by the limited express warranty above are in addition to any other rights and remedies to which you may be entitled by law.

NOTE TO AUSTRALIAN PURCHASERS:

The following applies if you purchased this product as a "consumer" as defined in the Australian Consumer Law. Our goods come with guarantees that cannot be excluded under the Australian Consumer Law. You are entitled to a replacement or refund for a major failure and compensation for any other reasonably foreseeable loss or damage. You are also entitled to have the goods repaired or replaced if the goods fail to be of acceptable quality and the failure does not amount to a major failure. Information regarding how to return a product and make a claim under this limited express warranty is set forth below. Nothing in this document purports to modify or exclude your rights if any under the Australian Consumer Law, or other laws which cannot be lawfully be modified or excluded.

NOTICE TO USERS OF PRODUCTS

The limited express warranty stated above is a factory warranty to the first purchasers of RegO products. Since most users have purchased these products from RegO distributors, to make a claim under this limited express warranty the user must, within 30 days after the user's discovery of what the user believes is a defect, notify in writing the distributor from whom he purchased the product or parts, and return the product or parts (at the user's expense) to that distributor. The distributor may or may not at the distributor's option, choose to submit the product or parts to RegO, pursuant to its limited express warranty. Failure by buyer to give such written notice within 30 days shall be deemed an absolute and unconditional waiver of buyer's claim for such defects. Acceptance of any alleged defective product or parts by RegO distributor for replacement or repairs under terms of RegO limited express warranty in no way obligates RegO to the terms of the above warranty. Because of a policy of continuous product improvement, RegO reserves the right to change designs, materials or specification without notice.

Except as expressly set out above, RegO makes no warranties in relation to RegO products and RegO's liability in respect of any allegedly defective product is limited to the cost of replacing or repairing the product.

100 RegO Drive, Elon, N.C. 27244 U.S.A. Phone +1 (336) 449-7707 Fax (336) 449-6594 www.regoproducts.com RegO is a registered trademark of Engineered Controls International, LLC.

Foreword

This catalog describes a complete line of equipment available from RegO® for use with Liquid Propane (LP)-Gas and anhydrous ammonia (NH₃). The following points are important to know for proper use of the catalog:

1. Illustrations and drawings of individual products are representative of “product groups” and all products within a product group are similar in construction.
2. Materials used for construction of products in this catalog are suitable for rated service pressure at temperatures of -40°F to +165°F (-40°C to +73°C), unless otherwise specified.
3. Products in this catalog are only intended for use in LP-Gas and/or anhydrous ammonia service as follows.
 - a. “A” or “AA” prefix — Products with this prefix are suitable for NH₃ service (i.e., contain no brass parts).
 - b. “AA” prefix on relief valves — These valves are NOT suitable for use with LP-Gas service. These are of partial aluminum materials and are listed by Underwriters Laboratories (UL) for NH₃ service only.
 - c. All other products including “A” prefix are suitable for use with LP-Gas & NH₃ service.
 - d. “SS” prefix—Hydrostatic relief valve with this prefix are suitable for NH₃ and LP-Gas service (i.e., they have stainless steel materials).
4. We manufacture valves and adapters designed to be used on LP-Gas and Anhydrous Ammonia systems, we do not design systems or consult in system design. For this type of information consult a professional Engineer.

Caution

Do not use any product contained in this catalog with any service commodity other than LP-Gas or NH₃. If you have a need for use of another application, contact RegO, 100 RegO Drive, Elon, NC 27244, (336) 449-7707 ecii@regoproducts.com before proceeding.

Proper application, installation and maintenance of products in this catalog are essential. Users of these products should obtain further information if there are any doubts or questions.

Warning

All RegO products are mechanical devices that will eventually become inoperative due to wear, corrosion and aging of components made of materials such as rubber. The environment and conditions of use will determine the safe service life of these products. Periodic inspection and maintenance are essential to avoid serious injury and property damage.

Many RegO products are manufactured for storage, transport, transfer and use of toxic flammable and dangerous liquids and gases. Such substances should be handled by experienced and trained personnel only, using accepted governmental and industrial safety procedures. Never vent LP-Gas near any possible source of ignition.

Notice

Installation, usage, and maintenance of all RegO products must be in compliance with all RegO instructions as well as requirements and provisions of NFPA #54, NFPA#58, DOT, ANSI, and all applicable federal, state, provincial and local standards, codes, regulations, and laws.

Inspection and maintenance on a periodic basis is essential. Installation and maintenance should be performed only by qualified personnel.

Be sure all instructions are read and understood before installation, operation and service.

Filters

RegO LP-Gas equipment is designed to operate in a system free from contamination. A variety of in-line filters are commercially available to the LP-Gas industry for installation in domestic systems.

The use of an in-line filter should be considered when other system components may be unclean and the system contaminated by rust, scale, dirt, debris or other foreign material.

RegO Regulator Dependability

When RegO LP-Gas Regulators are properly installed, safe, precise, trouble-free service is the result.

Dependability is built into every regulator ... the result of rigid standards of quality control and close tolerance machining. And this has been true for more than 90 years.

RegO Products are manufactured from the finest materials, and assembled and tested using procedures second to none.

RegO Regulator Selection

In order to properly size the RegO Regulator, find the total load of the installation. The total load is calculated by adding up the input ratings (BTU or CFH) of all appliances in the installation. Input ratings may be obtained from the nameplates on the appliances or from the manufacturers' literature.

Determine the type of regulation needed referring to the chart below.

Type of System	Maximum Load	Suggested Regulator
First Stage in a Two Stage System	1,500,000	LV3403TR
	2,500,000	LV4403SR Series LV4403TR Series
Second Stage in a Two Stage System	450,000	LV3403B Series LV3403BR Series
	935,000	LV4403B Series LV4403BD Series
	1,600,000	LV5503B4/B6
	2,300,000	LV5503B8
Second Stage in a 2 PSIG System	1,000,000	LV4403Y4/Y46R
	2,200,000	LV5503Y6/Y8
Integral Twin Stage	450,000	LV404B34/39 Series
	525,000	LV404B4/B9 Series
Integral Twin Stage 2 PSIG Delivery	800,000	LV404Y9
	650,000	LV404Y39
Automatic Changeover	400,000	7525B34 Series
	450,000	7525B4 Series

* See catalog page for inlet and delivery specifications.

Now determine which regulator in the Series would be most suitable. Turn to the individual product pages and refer to the Performance Curves. Check the performance of the regulator with your actual load conditions at the minimum LP-Gas inlet pressure for the regulator. Use the pressure corresponding to your lowest winter temperatures shown in the chart below or refer to the delivery pressure of your first stage regulator.

Temperature		Approx. Pressure (PSIG)		Temperature		Approx. Pressure (PSIG)	
°F	°C	Propane	Butane	°F	°C	Propane	Butane
-40	-40	3.6		40	4	72	3.0
-30	-34	8		50	10	86	6.9
-20	-29	13.5		60	16	102	12
-10	-23	23.3		70	21	127	17
0	-18	28		80	27	140	23
10	-12	37		90	32	165	29
20	-7	47		100	38	196	36
30	-1	58		110	43	220	45

Example for a First Stage Regulator

1. Assume a load of 500,000 BTU's per hour.
2. Assume a minimum delivery pressure of 9.5 PSIG.
3. Assume a minimum tank pressure of 15 PSIG.
4. For these conditions, refer to chart for the LV4403TR Series, First Stage Regulator, shown below.

All give you a product that provides accurate gas delivery under varying pressure ranges and load conditions.

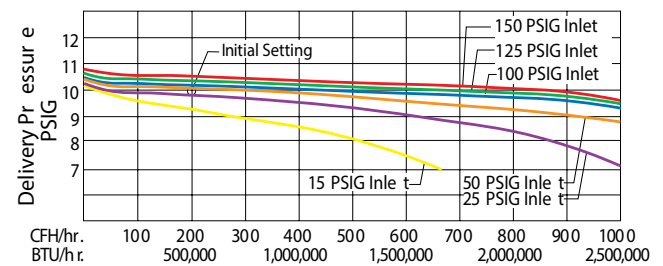
RegO LP-Gas Regulators are UL listed and comply with applicable code requirements.

RegO Products offer a complete line of LP-Gas Regulators with capacities for almost every application.

5. Find the line on the chart corresponding to the lowest anticipated winter tank pressure (note that each performance line corresponds to and is marked with a different inlet pressure in PSIG).
6. Draw a vertical line upward from the point of assumed load (500,000 BTU's per hour) to intersect with the line corresponding to the lowest tank pressure.
7. Read horizontally from the intersection of these lines to the delivery pressure at the left side of the chart. In this example the delivery pressure will be 9.2 PSIG. Since the delivery pressure will be 9.2 PSIG at the maximum load conditions and lowest anticipated tank pressure, the regulator will be sized properly for the demand.

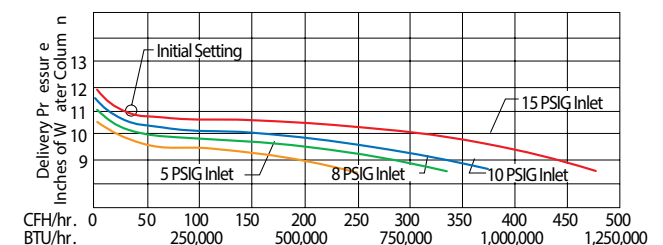
Example for a Second Stage Regulator

LV4403TR Series First Stage Regulator



1. Assume load of 250,000 BTU's per hour.
2. Assume a minimum delivery pressure of 10" w.c.
3. Assume a minimum inlet pressure of 10 PSIG.
4. For these conditions, refer to chart for the LV4403B Series, Second Stage Regulator, shown below.
5. Find the line on the chart corresponding to the anticipated inlet pressure.
6. Draw a vertical line upward from the point of assumed load (250,000 BTU's per hour) to intersect with the line corresponding to the lowest inlet pressure.
7. Read horizontally from the intersection of these lines to the delivery pressure at the left side of the chart. In this example the delivery pressure will read 10.1" w.c. Since the delivery pressure will be 10.1" w.c. at the maximum load condition and lowest anticipated inlet pressure, the regulator is sized properly for the demand.

LV4403B Series Second Stage Regulator



Safety Warnings



Purpose

In its continuing quest for safety, RegO publishes a series of bulletins explaining the hazards associated with the use, misuse, and aging of LP-Gas valves and regulators. It is hoped that these factual bulletins will make clear to LP-Gas dealer managers and service personnel, that the utmost care and attention must be used in the installation, inspection, and maintenance of these products, or problems could occur which would result in injuries and property damage.

The National Fire Protection Association NFPA 58 Liquefied Petroleum Gas Code - 2024 Edition states in Section 4.4 Qualification of Personnel; "Persons whose duties fall within the scope of this code shall be provided with training that is consistent with the scope of their job activities and that includes proper handling and emergency response procedures... Refresher training shall be provided at least every 3 years, initial and subsequent training shall be documented". These "RegO Safety Warnings" may be useful in training new employees and reminding older employees of hazards that can occur. It is recommended that all employees complete the Propane Education Research Council's Certified Employee Training Program.

Nature of Warnings

It is recognized that warnings should be as brief as possible, but the factors involved in regulator failures are not simple. They need to be fully understood so that proper maintenance programs can be established. If there is a simple warning, it would be:

Inspect regulators regularly as outlined in this safety warning and replace as required per these recommendations. When all of these recommendations are followed, the recommended service life of an RegO regulator (except single stage) manufactured after 1995 is 25 years. The recommended service life of all other RegO regulators is 15 years.

LP-Gas Regulators

This bulletin applies most particularly to permanent LP-Gas installations of cylinders and tanks. The warnings also apply in most cases to portable installations of recreational vehicles, barbecue grills, etc. This bulletin is not intended to be an exhaustive treatment of the subject of regulators and certainly does not cover all safety practices that should be followed in the installation and maintenance of LP-Gas systems.

It should not be necessary to remind readers of this bulletin that regulators must be installed in strict conformance with NFPA Pamphlets 54 and 58, and all other applicable codes and regulations. Codes, regulations and manufacturer's recommendations have been developed by experts with many years of experience in the LP-Gas industry.

Failure to fully follow these codes, regulations and recommendations could result in hazardous installations.

Pamphlet 58 states "All regulators for outdoor installations, except regulators used for portable industrial applications, shall be designed, installed or protected so their operation will not be affected by the elements (freezing rain, sleet, snow, ice, mud or debris). This protection may be integral with the regulator."

Failed and/or Inoperative Regulators

Failed regulators can cause three kinds of hazards:

- High pressure LP-Gas in a system downstream of the regulator; and
- Leaks of LP-Gas to atmosphere from the regulator itself.
- Loss of pressure due to a "freeze-up" in the orifice.

High Pressure LP-Gas in a System

Anything that prevents a regulator from regulating properly could result in high pressure gas at the regulator outlet and thus in a system.

High pressure gas into piping and appliances could cause piping leaks and damage to appliance burner controls with the potential for fires and explosions.

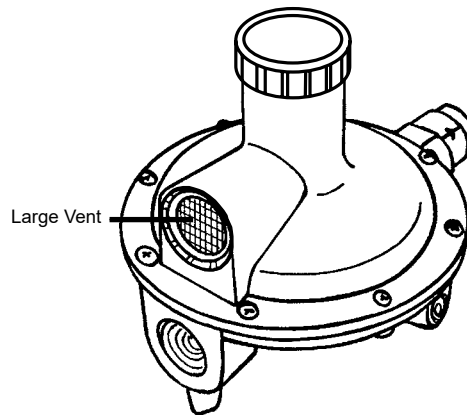
The Causes of High Pressure Gas in a System are:

1. Regulator vents that are clogged or obstructed.

Vents must be clear and fully open at all times.

Many regulators are equipped with a pressure relief valve which discharges to atmosphere through the vent. Ice, snow drifts, dirt, bugs, paint, or other foreign material can clog the vents.

An obstructed vent may prevent the pressure relief valve from operating properly.



Regulators should be installed with the vent facing down or protected so their operation will not be affected by the elements. In cases where the regulator vent is equipped with a discharge tube, the outlet of this tube must be facing down. The vents and/or discharge tubes must be protected from the elements and must be equipped with a screen to prevent bugs from obstructing the opening.

Action Required: Regulators should be properly installed and regularly inspected when tanks or cylinders are filled. If vents are clogged or the screen is missing, they must be cleaned or replaced. If the vent screen is missing and there is evidence of foreign material around the vent, the regulator should be replaced.

2. Foreign material lodging between the regulator nozzle and seat disc:

When this occurs, the regulator can remain open, allowing high pressure gas into the system.

Safety Warnings

This material can come from system piping between the container shut-off valve and the regulator. Chips created during piping installation or dirty piping can create this hazard. Corrosion inside of copper pigtailed and piping can cause problems. This can occur particularly when LP-Gas contains high sulphur or excessive moisture.

Action Required: Make sure regulator inlet piping is clean at the time of installation. Periodic checks should be made to ensure piping remains clean without corrosion. Never use old pigtailed on new LP-Gas installations. Old pigtailed can also work harden and crack if they have been bent and twisted several times.

3. Wrong regulator installed for the application:

The proper regulator must be used for each system.

For example, installation of high pressure regulators not designed to reduce gas pressure to an appliance requirement of 11" w.c. will cause a hazard. Installing a regulator undersized for the load can cause improper combustion at the appliance burner with a potential for carbon monoxide poisoning.

Action Required: Make sure the regulator is correct for each application and test the system with a pressure gauge or a manometer.

4. Failure to external mechanical parts due to corrosion:

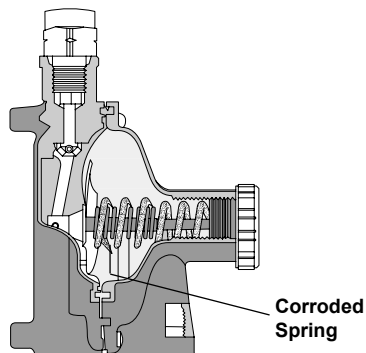
Adjusting springs and relief valve springs can rapidly corrode if exposed to salt air or industrial pollution. Even moisture condensation on these springs can cause them to rust and fail.

Failure of these springs will result in failure of the regulator to control the pressure.

With the vent of a regulator facing down, corrosion products from the springs could clog the regulator vent screen blocking the vent.

Action Required: Regulator inspection for corrosion should be made according to the guidelines listed below:

- For underground installations subject to submersion, the regulator should be inspected **every** time the container is filled.
- For known corrosive atmospheres of salt air or chemical pollution, the regulator should be inspected at least once a year.

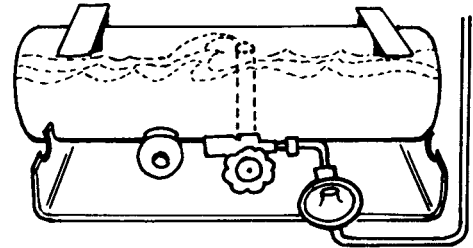


- For other applications, the regulator should be inspected every 3 years. **If any corrosion is evident, replace the regulator.**

It is essential that the regulator bonnet cap be tightly in place at all times to prevent the entrance of water, bugs, dirt, etc. Foreign material can cause the regulator to function improperly with potentially hazardous results.

5. Liquid propane in the regulator:

This can occur on recreational vehicles, unless the regulator is installed substantially higher than the container shut-off valve. Here, sloshing propane could get into the regulator with the resulting high pressure downstream of the regulator. It could also occur on stationary installations if the regulator is installed below the shut-off valve and the container is over-filled.



Action Required: Be careful of regulator installation and never overfill any LP-Gas container.

Leaks of LP-Gas to Atmosphere

While the occurrences of leaking regulators are rare, they can and do occur with a potential for fires and explosions.

These leaks can be caused by:

1. Corrosion of the relief valve spring or foreign material on the seat disc which causes the relief valve to open, will cause LP-Gas to escape through the regulator vent, as well as permitting high pressure into the system.

Action Required: Regulator inspection for corrosion should be made according to the guidelines listed below:

- For underground installations subject to submersion, the regulator should be inspected **every** time the container is filled.
- For known corrosive atmospheres of salt air or chemical pollution, the regulator should be inspected at least once a year.
- For other applications, the regulator should be inspected every 3 years.

If any corrosion is evident, replace the regulator.

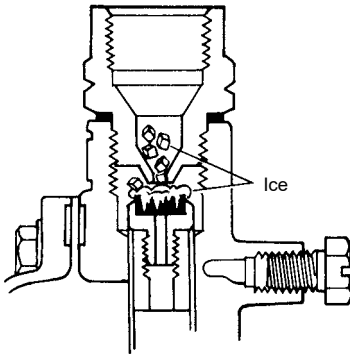
2. Bad piping connections at the regulator inlet and outlet. This can occur at the time of installation where connections are loose or the regulator may have been overstressed by excessive wrenching. It is important that proper wrenches, both on the piping and on the regulator inlet and outlet, be used when connecting the system piping, and that the regulator die cast body is not cracked by wrenching the pipe too deeply into the body.

Action Required: Always test for leaks at time of installation and inspect for leaks if there is reason to believe that pipe connections could cause a hazard.

Safety Warnings

Loss of Pressure

Freeze-up inside the regulator.



This will prevent the regulator from regulating properly.

Regulator freeze-ups occur because there is excessive moisture in the gas. Freeze-ups can also occur in pigtails that are kinked or bent where free flow of the LP-Gas is restricted. These freeze-ups can occur when the moisture, gas flow and temperature combine to create a hazardous condition. Freeze-ups can occur at temperatures above 32° F.

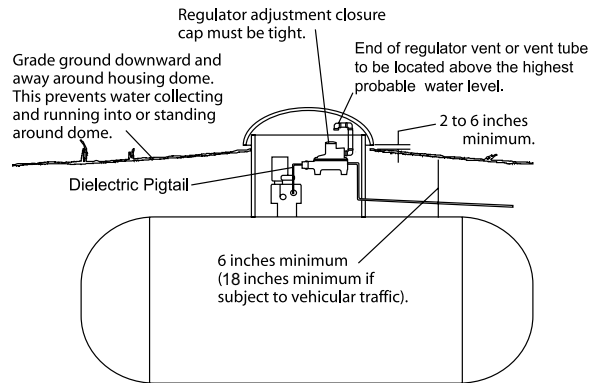
Action Required: All LP-Gas should be checked for moisture content prior to delivery to consumers and proper amounts of anhydrous methanol added if the gas cannot be returned to the supplier. Any container suspected of having excessive moisture should be treated with the proper amount of methanol.

Underground Installations

Special hazards can occur if regulators are not properly installed in underground systems. Water, dirt, mud and insects can get into the regulator if the bonnet cap is not tightly in place and the vent is not protected with a proper vent tube, opening above any potential water level.

Most problems occur because the waterproof dome on the buried storage tank does not extend above the ground level sufficiently to keep out water and mud.

Refer to NPGA No. 401.



Note: Water mark left in housing dome at level above regulator vent, or end of vent tube requires replacement of regulator. Then correct installation.

Customer Safety

Since regulators are often used by consumers without previous knowledge of the hazards of LP-Gas, and the LP-Gas dealers are the only ones who have direct contact with the consumers,

It is the dealer's responsibility to make sure that his customers are properly instructed in safety matters relating to their installation.

At the very minimum, it is desirable that these customers:

1. Know the odor of LP-Gas and what to do in case they smell gas. Use the NPGA "Scratch 'n Sniff" leaflet.
2. Are instructed to never tamper with the system.
3. Know that when protective hoods are used to enclose regulators and/or valves, that these hoods must be closed, but not locked.
4. Keep snow drifts from covering regulators.
5. Know the location of the cylinder or tank shut-off valve in emergencies.

General Warning

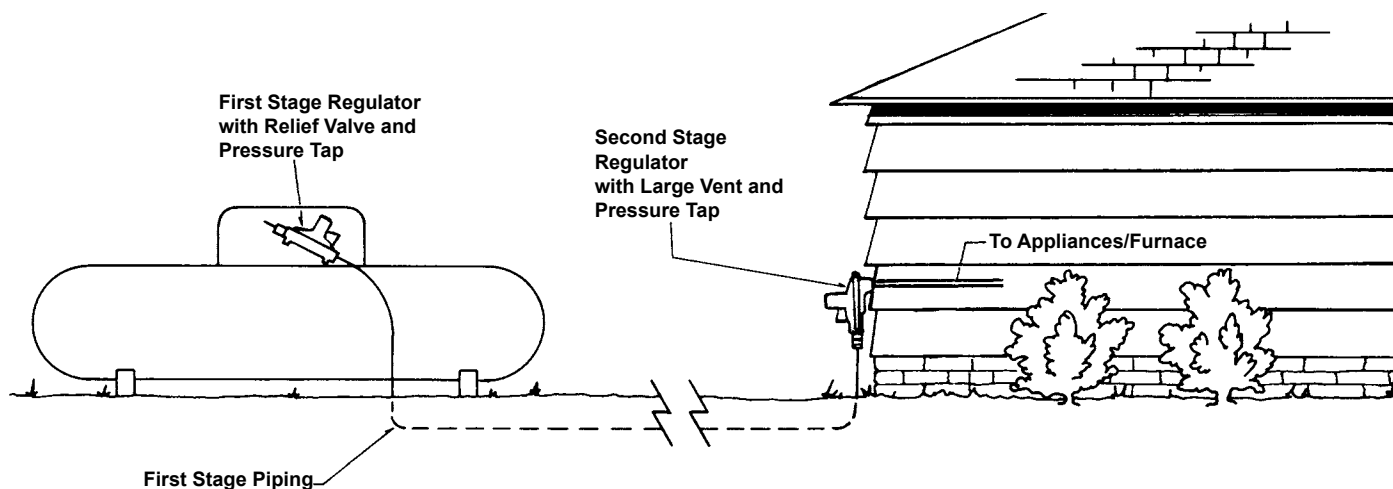
All RegO Products are mechanical devices that will eventually become inoperative due to wear, contaminants, corrosion and aging of components made of materials such as metal and rubber. As a general recommendation, Regulators should be replaced in accordance with all of the recommendations outlined in this safety warning. The recommended service life of a regulator is one of many factors that must be considered in determining when to replace a regulator.

The environment and conditions of use will determine the safe service life of these products. Periodic inspection and maintenance are essential.

Because RegO Products have a long and proven record of quality and service, LP-Gas dealers may forget the hazards that can occur because a regulator is used beyond its safe service life. Life of a regulator is determined by the environment in which it "lives." The LP-Gas dealer knows better than anyone what this environment is.

NOTE: There is a developing trend in state legislation and in proposed national legislation to make the owners of products responsible for replacing products before they reach the end of their safe useful life. LP-Gas dealers should be aware of legislation which could affect them.

Advantages of Two-Stage Regulation



The regulator is truly the heart of an LP-Gas installation. It must compensate for variations in tank pressure from as low as 8 PSIG to 220 PSIG – and still deliver a steady flow of LP-Gas at 11" w.c. to consuming appliances. The regulator must deliver this pressure despite a variable load from intermittent use of the appliances.

Though a single-stage system may perform adequately in many installations, the use of a two-stage system offers the ultimate in pin-point regulation. Two-stage regulation can result in a more profitable LP-Gas operation for the dealer resulting from less maintenance and fewer installation callbacks – and there is no better time than now for installing RegO Regulators in two-stage systems.

Uniform Appliance Pressure

The installation of a two-stage system – one high pressure regulator at the container to compensate for varied inlet pressures, and one low pressure regulator at the building to supply a constant delivery pressure to the appliances – helps ensure maximum efficiency and trouble-free operation year-round. It is important to note that while pressure at the appliances can vary up to 4" w.c. using single-stage systems, two-stage systems keep pressure variations within 1" w.c. New high-efficiency appliances require this closer pressure control for proper ignition and stable, efficient operation. In fact, one major manufacturer requires the use of two-stage systems with their appliances.

Reduced Freeze-ups/Service Calls

Regulator freeze-up occurs when moisture in the gas condenses and freezes on cold surfaces of the regulator nozzle. The nozzle becomes chilled when high pressure gas expands across it into the regulator body. This chilling action is more severe in single-stage systems as gas expands from tank pressure to 11" w.c. through a single regulator nozzle.

Two-stage systems can greatly reduce the possibility of freeze-ups

and resulting service calls as the expansion of gas from tank pressure to 11" w.c. is divided into two steps, with less chilling effect at each regulator. In addition, after the gas exits the first-stage regulator and enters the first-stage transmission line, it picks up heat from the line, further reducing the possibility of second-stage freeze-up.

Service calls for pilot outages and electronic ignition system failures are also reduced as a result of more uniform appliance pressure from two-stage systems.

Economy of Installation

In a single-stage system, transmission line piping between the container and the appliances must be large enough to accommodate the required volume of gas at 11" w.c. In contrast, the line between the first and second stage regulators in two-stage systems can be much smaller as it delivers gas at 10 PSIG to the second-stage regulator. Often the savings in piping cost will pay for the second regulator.

As an additional benefit, single-stage systems can be easily converted to two-stage systems using existing supply lines when they prove inadequate to meet added loads. This is the least expensive and best method of correcting the problem.

Allowance for Future Appliances

A high degree of flexibility is offered in new installations of two-stage systems. Appliances can be added later to the present load – provided the high pressure regulator can handle the increase – by the addition of a second low pressure regulator. Since appliances can be regulated independently, demands from other parts of the installation will not affect their individual performances.

Size The System Correctly

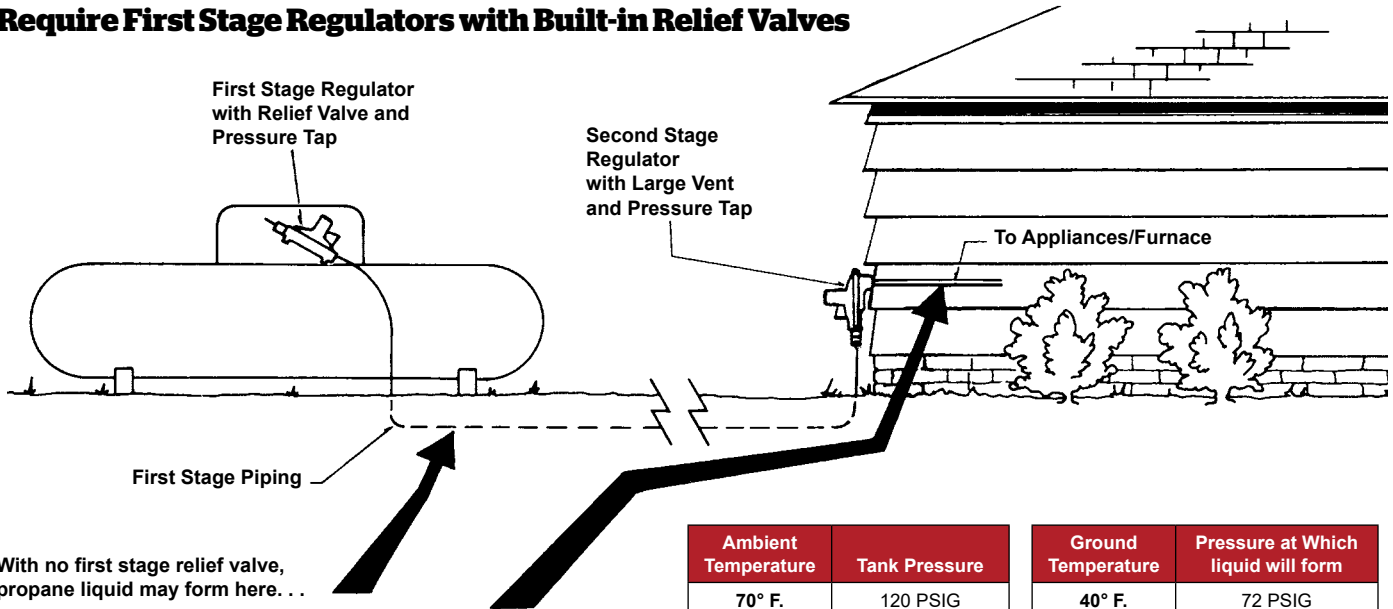
Prior to installing your two-stage system, be sure the system pipe and tubing is properly sized. Proper sizing will help ensure constant delivery pressure to the appliances during fluctuating loads at all times. Just as important, be sure the RegO Regulators you choose are capable of handling the desired load. This is another advantage of two-stage systems – they are capable of handling much more BTU's/hr. than single-stage systems. The RegO "LP-Gas Serviceman's Manual" provides complete information on pipe sizing and proper regulator selection.

Replace Pigtails

If you are replacing an old regulator, remember to replace the copper pigtail. The old pigtail may contain corrosion which can restrict flow. In addition, corrosion may flake off and wedge between the regulator orifice and seat disc – preventing proper lock-up.

Two-Stage LP-Gas Systems

Require First Stage Regulators with Built-in Relief Valves

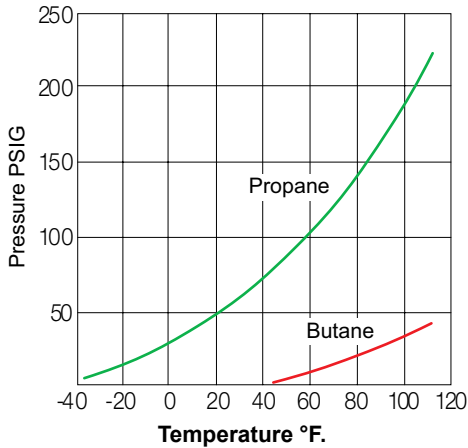


Resulting in sudden pressure surge due to flashing into vapor here! First stage relief can prevent liquid from forming in first stage piping during periods with no gas demand!!!

Ambient Temperature	Tank Pressure	Ground Temperature	Pressure at Which liquid will form
70° F.	120 PSIG	40° F.	72 PSIG
80° F.	140 PSIG	50° F.	86 PSIG
90° F.	165 PSIG	60° F.	102 PSIG

Pressure at which liquid can form at various temperatures.

Vapor Pressures of LP-Gases



The Problem

Many modern LP-Gas appliances are equipped with pilotless ignition systems. Water heaters and older appliances use pilot lights, but it has become a common practice for energy conscious homeowners to shut-off the pilot when leaving home for extended periods of time. In each instance, there is **no gas demand at all** for extended periods.

The Consequences

If the first stage regulator fails to lock-up tight, usually as a result of a worn seat disc or foreign material lodged between nozzle and seat disc, pressure will build-up in the first stage piping – possibly to a level that approaches tank pressure. Combining this with warm ambient temperatures and cool ground, **propane liquid may form** in the first stage piping.

When gas demand resumes, this liquid may pass through the second stage regulator into the appliances and furnace. NOTE – the second

stage regulator will not relieve the pressure in first stage piping. The rapid vaporization of the liquid may cause a rapid pressure surge that could seriously damage critical components of the appliance and furnace controls.

A fire or explosion could occur as a consequence.

The Solution

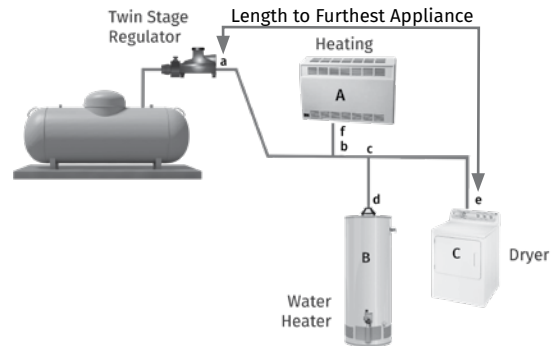
RegO LV4403 Series First Stage Regulators with Built-In Relief Valves reduce the possibility of this serious hazard in two stage applications. The built-in relief valve is designed to vent as needed and reduce the possibility of first stage piping pressure from becoming high enough to form liquid.

Pipe and Tubing Selection Guide

Use the following simple method to ensure the selection of the correct sizes of piping and tubing for LP-Gas vapor systems. Piping between the first and second stage is considered, as well as lower pressure (2 PSIG) piping between the 2 PSIG second stage or integral twin stage regulator and the line pressure regulator; and low pressure (inches of water column) piping between second stage, single stage, or integral twin stage regulators and appliances. The information supplied below is from NFPA 54 2021 (National Fuel Gas Code) Chapter 6 and Annex B, and NFPA 58 2024 (Liquefied Petroleum Gas Code) Chapter 16; it can also be found in CETP (Certified Employee Training Program) published by the Propane Education and Research Council "Selecting Piping and Tubing" module 4.1.8. These illustrations are for demonstrative purposes, they are not intended for actual system design.

Instructions:

- Determine the total gas demand for the system by adding up the BTU/hr input from the appliance nameplates and adding demand as appropriate for future appliances.
- For second stage or integral twin stage piping:
 - Measure length of piping required from outlet of regulator to the appliance *furthest away*. No other length is necessary to do the sizing.
 - Make a simple sketch of the piping, as shown.
 - Determine the capacity to be handled by each section of piping. For example, the capacity of the line between a and b must handle the total demand of appliances A, B, and C; the capacity of the line from c to d must handle only appliance B, etc.
 - Using Table 3 select proper size of tubing or pipe for each section of piping, using values in BTU/hr for the length determined from step #2-A. If exact length is not on chart, use next longer length. Do not use any other length for this purpose! Simply select the size that shows at least as much capacity as needed for each piping section.
- For piping between first and second stage regulators
 - For a simple system with only one second stage regulator, merely measure length of piping required between outlet of first stage regulator and inlet of second stage regulator. Select piping or tubing required from Table 1.
 - For systems with multiple second stage regulators, measure length of piping required to reach the second stage regulator that is furthest away. Make a simple sketch, and size each leg of piping using Table 1, 2, or 3 using values shown in column corresponding to the length as measured above, same as when handling second stage piping.

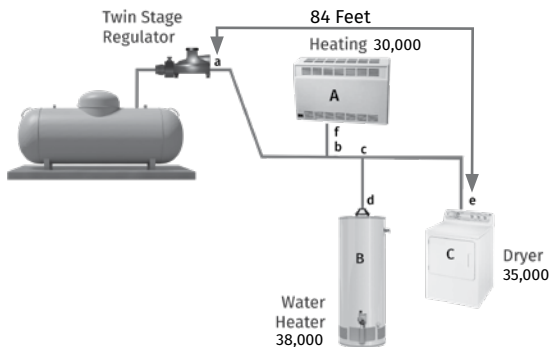


Example 1

Determine the sizes of piping or tubing required for the twin-stage LP-Gas installation shown.

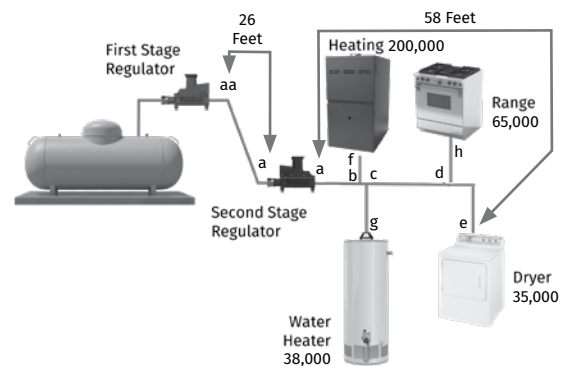
Total piping length = 84 feet (use Table 3 @ 90 feet)

- From a to b, demand = 38,000 + 35,000 + 30,000
= 103,000 BTU/hr; use 3/4" pipe or 3/4" tubing
- From b to c, demand = 38,000 + 35,000
= 73,000 BTU/hr; use 1/2" pipe or 5/8" tubing
- From c to d, demand = 35,000 BTU/hr; use 1/2" pipe or 1/2" tubing
- From c to e, demand = 38,000 BTU/hr; use 1/2" pipe or 1/2" tubing
- From b to f, demand = 30,000 BTU/hr; use 1/2" pipe or 1/2" tubing



Example 2

Determine the sizes of piping or tubing required for the two-stage LP-Gas installation shown.



Total first stage piping length = 26 feet; first stage regulator setting is 10 PSIG (use Table 1 or 2 @ 30 feet)

From aa to a, demand = 338,000 BTU/hr; use 1/2" pipe, 1/2" tubing, or 1/2" T plastic pipe.

Total second stage piping length = 58 feet (use Table 3 @ 60 feet)

- From a to b, demand = 338,000 BTU/hr; use 1" pipe
- From b to c, demand = 138,000 BTU/hr; use 3/4" pipe or 5/8" tubing
- From c to d, demand = 100,000 BTU/hr; use 1/2" pipe or 5/8" tubing
- From d to e, demand = 35,000 BTU/hr; use 1/2" pipe or 1/2" tubing
- From b to f, demand = 200,000 BTU/hr; use 3/4" pipe
- From c to g, demand = 38,000 BTU/hr; use 1/2" pipe or 1/2" tubing
- From d to h, demand = 65,000 BTU/hr; use 1/2" pipe or 1/2" tubing

Pipe and Tubing Selection Guide

Example 3

Determine the sizes of piping or tubing required for the 2 PSI LP-Gas installation shown.

Total first stage piping length = 26 feet; first stage regulator setting is 10psig (use Table 1 or 2 @ 30 feet)

Total 2 PSI Piping Length = 19 ft. (use Table 4 @ 20 ft. or Table 6 @ 20 ft.)

From aa to a, demand= 338,000 BTU

use 3/8" CSST or 1/2" copper tubing or 1/2" pipe

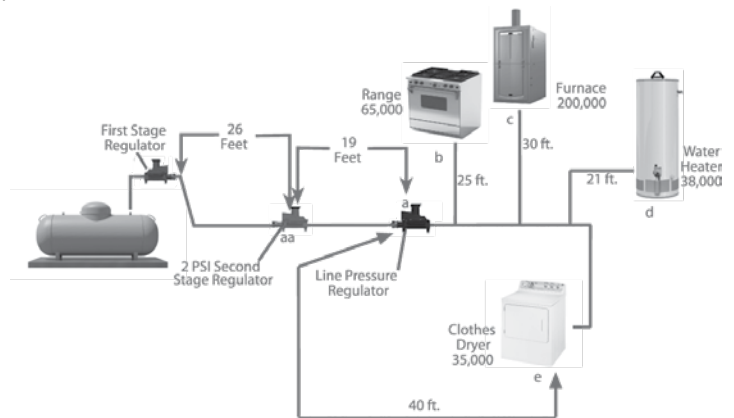
From Regulator a to each appliance:

From a to b, demand= 65,000 BTU; length = 25 ft. (Table 5),
use 1/2" CSST

From a to c, demand= 200,000 BTU; length = 30 ft. (Table 5)
use 1" CSST

From a to d, demand= 38,000 BTU; length = 21 ft.* (Table 5)
use 3/8" CSST *use 25 ft. column

From a to e, demand= 35,000 BTU; length = 40 ft. (Table 5)
use 1/2" CSST



Pipe and Tubing Selection Guide

Table 1 - First Stage Copper Tubing or Pipe Sizing

10 PSIG Inlet with a 1 PSIG Pressure Drop (Between First and Second Stage Regulators)
 Maximum capacity of pipe or tubing in thousands of BTU/hr of undiluted LP-Gases (Propane)
 (Based on 1.50 Specific Gravity Gas)

Size of Pipe or Copper Tubing in Inches		Length of Pipe or Tubing in Feet*												
		10	20	30	40	50	60	70	80	90	100	125	150	175
Copper Tubing (O.D.)**	3/8	513	352	283	242	215	194	179	166	156	147	131	118	109
	1/2	1,060	727	584	500	443	401	369	343	322	304	270	244	225
	5/8	2,150	1,480	1,190	1,020	901	816	751	699	655	619	549	497	457
	3/4	3,760	2,580	2,080	1,780	1,570	1,430	1,310	1,220	1,150	1,080	959	869	799
Pipe Size***	1/2	3,320	2,280	1,830	1,570	1,390	1,260	1,160	1,080	1,010	956	848	768	706
	3/4	6,950	4,780	3,840	3,280	2,910	2,640	2,430	2,260	2,120	2,000	1,770	1,610	1,480
	1	13,100	9,000	7,220	6,180	5,480	4,970	4,570	4,250	3,990	3,770	3,340	3,020	2,780
	1 1/4	26,900	18,500	14,800	12,700	11,300	10,200	9,380	8,730	8,190	7,730	6,850	6,210	5,710
	1 1/2	40,300	27,700	22,200	19,000	16,900	15,300	14,100	13,100	12,300	11,600	10,300	9,300	8,560
	2	77,600	53,300	42,800	36,600	32,500	29,400	27,100	25,200	23,600	22,300	19,800	17,900	16,500
	2 1/2	124,000	85,000	68,200	58,400	51,700	46,900	43,100	40,100	37,700	35,600	31,500	28,600	26,300
	3	219,000	150,000	121,000	103,000	91,500	82,900	76,300	70,900	66,600	62,900	55,700	50,500	46,500
		200	250	300	350	400	450	500	550	600	700	750	800	850
Copper Tubing (O.D.)**	3/8	101	90	81	75	70	65	62	59	56	51	50	48	46
	1/2	209	185	168	155	144	135	127	121	115	106	102	99	96
	5/8	426	377	342	314	292	274	259	246	235	216	208	201	195
	3/4	744	659	597	549	511	480	453	430	410	378	364	351	340
Pipe Size***	1/2	657	582	528	486	452	424	400	380	363	334	321	310	300
	3/4	1,370	1,220	1,100	1,020	945	886	837	795	759	698	672	649	628
	1	2,590	2,290	2,080	1,910	1,780	1,670	1,580	1,500	1,430	1,310	1,270	1,220	1,180
	1 1/4	5,320	4,710	4,270	3,930	3,650	3,430	3,240	3,070	2,930	2,700	2,600	2,510	2,430
	1 1/2	7,960	7,060	6,400	5,880	5,470	5,140	4,850	4,610	4,400	4,040	3,900	3,760	3,640
	2	15,300	13,600	12,300	11,300	10,500	9,890	9,340	8,870	8,460	7,790	7,500	7,240	7,010
	2 1/2	24,400	21,700	19,600	18,100	16,800	15,800	14,900	14,100	13,500	12,400	12,000	11,500	11,200
	3	43,200	38,300	34,700	31,900	29,700	27,900	26,300	25,000	23,900	21,900	21,100	20,400	19,800
		900	950	1,000	1,100	1,200	1,300	1,400	1,500	1,600	1,700	1,800	1,900	2,000
Copper Tubing (O.D.)**	3/8	45	44	42	40	38	37	35	34	33	32	31	30	29
	1/2	93	90	88	83	79	76	73	70	68	66	64	62	60
	5/8	189	183	178	169	161	155	148	143	138	134	130	126	122
	3/4	330	320	311	296	282	270	260	250	241	234	227	220	214
Pipe Size***	1/2	291	283	275	261	249	239	229	221	213	206	200	194	189
	3/4	609	592	575	546	521	499	480	462	446	432	419	407	395
	1	1,150	1,110	1,080	1,030	982	940	903	870	840	813	789	766	745
	1 1/4	2,360	2,290	2,230	2,110	2,020	1,930	1,850	1,790	1,730	1,670	1,620	1,570	1,530
	1 1/2	3,530	3,430	3,330	3,170	3,020	2,890	2,780	2,680	2,590	2,500	2,430	2,360	2,290
	2	6,800	6,600	6,420	6,100	5,820	5,570	5,350	5,160	4,980	4,820	4,670	4,540	4,410
	2 1/2	10,800	10,500	10,200	9,720	9,270	8,880	8,530	8,220	7,940	7,680	7,450	7,230	7,030
	3	19,200	18,600	18,100	17,200	16,400	15,700	15,100	14,500	14,000	13,600	13,200	12,800	12,400
		39,100	37,900	36,900	35,000	33,400	32,000	30,800	29,600	28,600	27,700	26,900	26,100	25,400

*Total length of piping from outlet of first stage regulator to inlet of second stage regulator (or to inlet of second stage regulator furthest away)

**Data referenced from NFPA 58 2024 table 17.1(f)

***Data referenced from NFPA 58 2024 Table 17.1(a)

Notes:

To allow for 2 PSIG pressure drop, multiply total gas demand by 0.707 and use capacities from table.

For different first stage pressures, multiply total gas demand by the following factor and use capacities from table below

First Stage Pressure PSIG	Multiple By
20	0.844
15	0.912
5	1.120

Pipe and Tubing Selection Guide

Table 2 - First Stage Polyethylene Plastic Tubing or Pipe Sizing

10 PSIG Inlet with a 1 PSIG Pressure Drop (Between First and Second Stage Regulators)

Maximum capacity of polyethylene pipe or tubing in thousands of BTU/hr of undiluted LP-Gases (Propane)

(Based on 1.50 Specific Gravity Gas)

Size of Plastic Tubing in Inches		Length of Pipe or Tubing in Feet*										
NPS	SDR	10	20	30	40	50	60	70	80	90	100	125
½ CTS**	7	N/A	N/A	762	653	578	524	482	448	421	397	352
½***	9.33	N/A	N/A	2,140	1,840	1,630	1,470	1,360	1,260	1,180	1,120	990
¾***	11	N/A	N/A	4290	3670	3260	2950	2710	2530	2370	2240	1980
1 CTS**	11	N/A	N/A	5,230	4,470	3,960	3,590	3,300	3,070	2,880	2,720	2,410
1***	11	N/A	N/A	7,740	6,630	5,870	5,320	4,900	4,560	4,270	4,040	3,580
1 ¼***	11	N/A	N/A	13,420	11,480	10,180	9,220	8,480	7,890	7,400	6,990	6,200
1 ½***	11	N/A	N/A	20,300	17,300	15,400	13,900	12,800	11,900	11,200	10,600	9,360
2***	11	N/A	N/A	36,400	31,200	27,600	25,000	23,000	21,400	20,100	19,000	16,800
		150	175	200	225	250	275	300	350	400	450	500
½ CTS**	7	319	294	273	256	242	230	219	202	188	176	166
½ IPS***	9.33	897	826	778	721	681	646	617	567	528	495	468
¾ IPS***	11	1800	1650	1540	1440	1360	1290	1240	1140	1060	992	937
1 CTS**	11	2,190	2,010	1,870	1,760	1,660	1,580	1,500	1,380	1,290	1,210	1,140
1 IPS***	11	3,240	2,980	2,780	2,600	2,460	2,340	2,230	2,050	1,910	1,790	1,690
1 ¼ IPS***	11	5,620	5,170	4,810	4,510	4,260	4,050	3,860	3,550	3,300	3,100	2,930
1 ½ IPS***	11	8,480	7,800	7,260	6,810	6,430	6,110	5,830	5,360	4,990	4,680	4,420
2 IPS***	11	15,200	14,000	13,000	12,200	11,600	11,000	10,470	9,640	8,970	8,410	7,950
		600	700	800	900	1000	1500	2000				
½ CTS**	7	151	139	129	273	114	92	79	N/A			
½ IPS***	9.33	424	390	363	778	322	258	221				
¾ IPS***	11	849	781	726	1540	644	517	443				
1 CTS**	11	1,030	951	884	1,870	784	629	539				
1 IPS***	11	1,530	1,410	1,310	2,780	1,160	933	798				
1 ¼ IPS***	11	2,650	2,440	2,270	4,810	2,010	1,620	1,380				
1 ½ IPS***	11	4,010	3,690	3,430	7,260	3,040	2,440	2,090				
2 IPS***	11	7,200	6,620	6,160	13,000	5,460	4,390	3,750				

*Total length of piping from outlet of first stage regulator to inlet of second stage regulator (or to inlet of second stage regulator furthest away)

**Data referenced from NFPA 58 2024 Table 17.1(o)

***Data referenced from NFPA 58 2024 Table 17.1(n)

Notes:

T = Tube Size

To allow for 2 PSIG pressure drop, multiply total gas demand by 0.707 and use capacities from table.

For different first stage pressures, multiply total gas demand by the following factor and use capacities from table below

First Stage Pressure PSIG	Multiple By
20	0.844
15	0.912
5	1.120

Pipe and Tubing Selection Guide

Table 3 - Second Stage or Integral Twin Stage Tubing or Pipe Sizing

11-In. Water Column Inlet with a 0.05-In. Water Column Drop

Maximum capacity of pipe or tubing in thousands of BTU/hr of undiluted LP-Gases (Propane)

(Based on 1.50 Specific Gravity Gas)

Size of Pipe or Copper Tubing in Inches	Length of Pipe or Tubing in Feet*													
	10	20	30	40	50	60	70	80	90	100	125	150	175	
Copper Tubing (O.D.)**	3/8	45	31	25	21	19	17	16	15	14	13	11	10	NA
	1/2	93	64	51	44	39	35	32	30	28	27	24	21	20
	5/8	188	129	104	89	79	71	66	61	57	54	48	44	40
	3/4	329	226	182	155	138	125	115	107	100	95	84	76	70
Pipe Size***	1/2	291	200	160	137	122	110	101	94	89	84	74	67	62
	3/4	608	418	336	287	255	231	212	197	185	175	155	140	129
	1	1,150	787	632	541	480	434	400	372	349	330	292	265	243
	1 1/4	2,350	1,620	1,300	1,110	985	892	821	763	716	677	600	543	500
	1 1/2	3,520	2,420	1,940	1,660	1,480	1,340	1,230	1,140	1,070	1,010	899	814	749
	2	6,790	4,660	3,750	3,210	2,840	2,570	2,370	2,200	2,070	1,950	1,730	1,570	1,440
	2 1/2	10,800	7,430	5,970	5,110	4,530	4,100	3,770	3,510	3,290	3,110	2,760	2,500	2,300
	3	19,100	13,100	10,600	9,030	8,000	7,250	6,670	6,210	5,820	5,500	4,420	4,420	4,060
4	39,000	26,800	21,500	18,400	16,300	14,800	13,600	12,700	11,900	11,200	9,019	9,010	8,290	
		200	250	300	350	400	450	500	550	600	700	750	800	850
Copper Tubing (O.D.)**	3/8	NA	NA	NA	NA	NA	NA	NA	NA	NA	NA	NA	NA	NA
	1/2	18	16	15	14	13	12	11	11	10	NA	NA	NA	NA
	5/8	37	33	30	28	26	24	23	22	21	20	19	18	18
	3/4	65	58	52	48	45	42	40	38	36	34	33	32	31
Pipe Size***	1/2	58	51	46	42	40	37	35	33	32	30	29	28	27
	3/4	120	107	97	89	83	78	73	70	66	64	61	59	57
	1	227	201	182	167	156	146	138	131	125	120	115	111	107
	1 1/4	465	412	373	344	320	300	283	269	257	246	236	227	220
	1 1/2	697	618	560	515	479	449	424	403	385	368	354	341	329
	2	1,340	1,190	1,080	991	922	865	817	776	741	709	681	656	634
	2 1/2	2,140	1,900	1,720	1,580	1,470	1,380	1,300	1,240	1,180	1,130	1,090	1,050	1,010
	3	3,780	3,350	3,040	2,790	2,600	2,440	2,300	2,190	2,090	2,000	1,920	1,850	1,790
4	7,710	6,840	6,190	5,700	5,300	4,970	4,700	4,460	4,260	4,080	3,920	3,770	3,640	
		900	950	1,000	1,100	1,200	1,300	1,400	1,500	1,600	1,700	1,800	1,900	2,000
Copper Tubing (O.D.)**	3/8	NA	NA	NA	NA	NA	NA	NA	NA	NA	NA	NA	NA	NA
	1/2	NA	NA	NA	NA	NA	NA	NA	NA	NA	NA	NA	NA	NA
	5/8	17	16	16	15	14	14	13	13	12	12	11	11	11
	3/4	29	28	28	26	25	24	23	22	21	20	20	19	19
Pipe Size***	1/2	25	25	24	23	22	21	20	19	19	18	18	17	17
	3/4	53	52	50	48	46	44	42	40	39	38	37	36	35
	1	100	97	95	90	86	82	79	76	74	71	69	67	65
	1 1/4	206	200	195	185	176	169	162	156	151	146	142	138	134
	1 1/2	309	300	292	277	264	253	243	234	226	219	212	206	200
	2	595	578	562	534	509	487	468	451	436	422	409	397	386
	2 1/2	948	921	895	850	811	777	746	719	694	672	652	633	615
	3	1,680	1,630	1,580	1,500	1,430	1,370	1,320	1,270	1,230	1,190	1,150	1,120	1,090
4	3,420	3,320	3,230	3,070	2,930	2,800	2,690	2,590	2,500	2,420	2,350	2,280	2,220	

*Total length of piping from outlet of regulator to appliance furthest away.

**Data referenced from NFPA 58 2024 Table 17.1(g)

***Data referenced from NFPA 58 2024 Table 17.1(c)

Pipe and Tubing Selection Guide

Table 4 - Maximum Capacity of CSST

2 PSIG and a Pressure Drop of 1 PSIG (Between 2 psig Service and Line Pressure Regulator)
 In Thousands of BTU/hr of undiluted LP-Gases (Propane)
 (Based on 1.50 Specific Gravity Gas)

Size of CSST Tubing in Inches**		Length of Pipe or Tubing in Feet*													
Size	EHD Flow Designation ***	10	25	30	40	50	75	80	100	150	200	250	300	400	500
¾	13	426	262	238	203	181	147	140	124	101	86	77	69	60	53
	15	558	347	316	271	243	196	189	169	137	118	105	96	82	72
½	18	927	591	540	469	420	344	333	298	245	213	191	173	151	135
	19	1,110	701	640	554	496	406	393	350	287	248	222	203	175	158
¾	23	1,740	1,120	1,030	896	806	663	643	578	477	415	373	343	298	268
	25	2,170	1,380	1,270	1,100	986	809	768	703	575	501	448	411	355	319
1	30	4,100	2,560	2,330	2,010	1,790	1,460	1,410	1,260	1,020	880	785	716	616	550
	31	4,720	2,950	2,690	2,320	2,070	1,690	1,630	1,450	1,180	1,020	910	829	716	638
1 ¼	37	7,130	4,560	4,180	3,630	3,260	2,680	2,590	2,330	1,910	1,660	1,490	1,360	1,160	1,030
	39	7,958	5,147	4,719	4,116	3,702	3,053	2,961	2,662	2,195	1,915	1,722	1,578	1,376	1,237
1 ½	46	15,200	9,550	8,710	7,530	6,730	5,480	5,300	4,740	3,860	3,340	2,980	2,720	2,350	2,100
	48	16,800	10,700	9,790	8,500	7,610	6,230	6,040	5,410	4,430	3,840	3,440	3,150	2,730	2,450
2	60	29,400	18,800	17,200	14,900	13,400	11,000	10,600	9,530	7,810	6,780	6,080	5,560	4,830	4,330
	62	34,200	21,700	19,800	17,200	15,400	12,600	12,200	10,900	8,890	7,710	6,900	6,300	5,460	4,880

*Total length of piping from outlet of regulator to inlet of 2 psig Service/Line Pressure Regulator (or to inlet of regulator furthest away)

**Data referenced from NFPA 58 2024 Table 17.1(j)

***EHD - Equivalent Hydraulic Diameter - A measure of the relative hydraulic efficiency between different tubing sizes. The greater the value of EHD, the greater the gas capacity of the tubing.

Notes:

1. Table does not include effect of pressure drop across the line regulator. If regulator loss exceeds ½ psi (based on 13-in. water column outlet pressure).
2. DO NOT USE THIS TABLE. Consult with regulator manufacturer for pressure drops and capacity factors. Pressure drops across a regulator may vary with flow rate.
3. CAUTION: Capacities shown in table can exceed maximum capacity for a selected regulator. Consult with regulator or tubing manufacturer for guidance.
4. Table includes losses for four 90-degree bends and two end fittings. Tubing runs with a larger number of bends and/ or fittings shall be increased by an equivalent length of tubing according to the following equation; L-1.3n where L is additional length (ft) of tubing and n is the number of additional fittings and/or bends.
5. All entries are rounded to 3 significant digits

A

Pipe and Tubing Selection Guide

Table 5 - Maximum Capacity of CSST

11-in. Water Column and a Pressure Drop of 0.05-in. Water Column (Between Second Stage (Low Pressure) Regulator and Appliance Shutoff Valve)
 In Thousands of BTU/hr of undiluted LP-Gases (Propane)
 (Based on 1.50 Specific Gravity Gas)

Size of CSST Tubing in Inches**		Length of Pipe or Tubing in Feet*										
Size	EHD Flow Designation ***	5	10	15	20	25	30	40	50	60	70	80
3/8	13	426	262	238	203	181	147	140	124	101	86	77
	15	558	347	316	271	243	196	189	169	137	118	105
1/2	18	927	591	540	469	420	344	333	298	245	213	191
	19	1,110	701	640	554	496	406	393	350	287	248	222
3/4	23	1,740	1,120	1,030	896	806	663	643	578	477	415	373
	25	2,170	1,380	1,270	1,100	986	809	768	703	575	501	448
1	30	4,100	2,560	2,330	2,010	1,790	1,460	1,410	1,260	1,020	880	785
	31	4,720	2,950	2,690	2,320	2,070	1,690	1,630	1,450	1,180	1,020	910
1 1/4	37	7,130	4,560	4,180	3,630	3,260	2,680	2,590	2,330	1,910	1,660	1,490
	39	7,958	5,147	4,719	4,116	3,702	3,053	2,961	2,662	2,195	1,915	1,722
1 1/2	46	15,200	9,550	8,710	7,530	6,730	5,480	5,300	4,740	3,860	3,340	2,980
	48	16,800	10,700	9,790	8,500	7,610	6,230	6,040	5,410	4,430	3,840	3,440
2	60	29,400	18,800	17,200	14,900	13,400	11,000	10,600	9,530	7,810	6,780	6,080
	62	34,200	21,700	19,800	17,200	15,400	12,600	12,200	10,900	8,890	7,710	6,900
		90	100	150	200	250	300					
3/8	13	15	14	11	9	8	8	N/A				
	15	22	20	15	14	12	11					
1/2	18	44	41	31	28	25	23					
	19	50	47	36	33	30	26					
3/4	23	90	85	66	60	53	50					
	25	102	98	75	69	61	57					
1	30	169	159	123	112	99	90					
	31	197	186	143	129	117	107					
1 1/4	37	286	270	217	183	163	147					
	39	414	393	324	283	254	234					
1 1/2	46	656	621	506	438	390	357					
	48	787	746	611	531	476	434					
2	60	1,400	1,330	1,090	948	850	777					
	62	1,550	1,480	1,210	1,050	934	854					

*Total length of piping from outlet of regulator to appliance furthest away.

**Data referenced from NFPA 58 2024 Table 17.1(k)

***EHD - Equivalent Hydraulic Diameter - A measure of the relative hydraulic efficiency between different tubing sizes. The greater the value of EHD, the greater the gas capacity of the tubing.

Notes:

1. Table includes losses for four 90-degree bends and two end fittings. Tubing runs with a larger number of bends and/ or fittings shall be increased by an equivalent length of tubing according to the following equation; L-1.3n where L is additional length (ft) of tubing and n is the number of additional fittings and/or bends.
2. All entries are rounded to 3 significant digits

Pipe and Tubing Selection Guide

Table 6 - Copper Tubing or Schedule 40 Pipe Sizing

2 PSIG Inlet with a 1 PSIG Pressure Drop (Between 2 PSIG Service and Line Pressure Regulator)
 In Thousands of BTU/hr of undiluted LP-Gases (Propane)
 (Based on 1.50 Specific Gravity Gas)

Size of Pipe or Copper Tubing in Inches		Length of Pipe or Tubing in Feet*												
		10	20	30	40	50	60	70	80	90	100	125	150	175
Copper Tubing (O.D.)**	3/8	413	284	228	195	173	157	144	134	126	119	105	95	88
	1/2	852	585	470	402	356	323	297	276	259	245	217	197	181
	5/8	1,730	1,190	956	818	725	657	605	562	528	498	442	400	368
	3/4	3,030	2,080	1,670	1,430	1,270	1,150	1,060	983	922	871	772	700	644
Pipe Size***	1/2	2,680	1,840	1,480	1,260	1,120	1,010	934	869	815	770	682	618	569
	3/4	5,590	3,850	3,090	2,640	2,340	2,120	1,950	1,820	1,700	1,610	1,430	1,290	1,190
	1	10,500	7,240	5,820	4,980	4,410	4,000	3,680	3,420	3,210	3,030	2,690	2,440	2,240
	1 1/4	21,600	14,900	11,900	10,200	9,060	8,210	7,550	7,020	6,590	6,230	5,520	5,000	4,600
	1 1/2	32,400	22,300	17,900	15,300	13,600	12,300	11,300	10,500	9,880	9,330	8,270	7,490	6,890
	2	62,400	42,900	34,500	29,500	26,100	23,700	21,800	20,300	19,000	18,000	15,900	14,400	13,300
	2 1/2	99,500	68,400	54,900	47,000	41,700	37,700	34,700	32,300	30,300	28,600	25,400	23,000	21,200
	3	176,000	121,000	97,100	83,100	73,700	66,700	61,400	57,100	53,600	50,600	44,900	40,700	37,400
4	359,000	247,000	198,000	170,000	150,000	136,000	125,000	116,000	109,000	103,000	91,500	82,900	76,300	
		200	250	300	350	400	450	500	550	600	700	750	800	850
Copper Tubing (O.D.)**	3/8	82	72	66	60	56	53	50	47	45	43	41	40	39
	1/2	168	149	135	124	116	109	103	97	93	89	86	82	80
	5/8	343	304	275	253	235	221	209	198	189	181	174	168	162
	3/4	599	531	481	442	411	386	365	346	330	316	304	293	283
Pipe Size***	1/2	529	469	425	391	364	341	322	306	292	280	269	259	250
	3/4	1,110	981	889	817	760	714	674	640	611	585	562	541	523
	1	2,080	1,850	1,670	1,540	1,430	1,340	1,270	1,210	1,150	1,100	1,060	1,020	985
	1 1/4	4,600	3,790	3,440	3,160	2,940	2,760	2,610	2,480	2,360	2,260	2,170	2,090	2,020
	1 1/2	6,890	5,680	5,150	4,740	4,410	4,130	3,910	3,710	3,540	3,390	3,260	3,140	3,030
	2	13,300	10,900	9,920	9,120	8,490	7,960	7,520	7,140	6,820	6,530	6,270	6,040	5,830
	2 1/2	21,200	17,400	15,800	14,500	13,500	12,700	12,000	11,400	10,900	10,400	9,900	9,630	9,300
	3	37,400	30,800	27,900	25,700	23,900	22,400	21,200	20,100	19,200	18,400	17,700	17,000	16,400
4	76,300	62,900	57,000	52,400	48,800	45,800	43,200	41,100	39,200	37,500	36,000	34,700	33,500	
		900	950	1,000	1,100	1,200	1,300	1,400	1,500	1,600	1,700	1,800	1,900	2,000
Copper Tubing (O.D.)**	3/8	36	35	34	32	31	30	28	27	26	26	25	24	23
	1/2	75	72	71	67	64	61	59	57	55	53	51	50	48
	5/8	152	147	143	136	130	124	120	115	111	108	104	101	99
	3/4	265	258	251	238	227	217	209	201	194	188	182	177	172
Pipe Size***	1/2	235	228	222	210	201	192	185	178	172	166	161	157	152
	3/4	490	476	463	440	420	402	386	372	359	348	337	327	318
	1	924	807	873	829	791	757	727	701	677	655	635	617	600
	1 1/4	1,900	1,840	1,790	1,700	1,620	1,550	1,490	1,440	1,390	1,340	1,300	1,270	1,230
	1 1/2	2,840	2,760	2,680	2,550	2,430	2,330	2,240	2,160	2,080	2,010	1,950	1,900	1,840
	2	5,470	5,310	5,170	4,910	4,680	4,490	4,310	4,150	4,010	3,880	3,760	3,650	3,550
	2 1/2	8,720	8,470	8,240	7,830	7,470	7,150	6,870	6,620	6,390	6,180	6,000	5,820	5,660
	3	15,400	15,000	14,600	13,800	13,200	12,600	12,100	11,700	11,300	10,900	10,600	10,300	10,000
4	31,500	30,500	29,700	28,200	26,900	25,800	24,800	23,900	23,000	22,300	21,600	21,000	20,400	

*Total length of piping from outlet of regulator to inlet of 2 psig Service/Line Pressure Regulator (or to inlet of regulator furthest away)

**Data referenced from NFPA 58 2024 Table 17.1(h)

***Data referenced from NFPA 58 2024 Table 17.1(b)

Pipe and Tubing Selection Guide

Table 7: Second stage or Integral Twin Stage Polyethylene Tubing or Pipe Sizing

11 in Water Column Inlet w/ a 0.5 -in Water Column Drop
 Tubing in thousand of BTU/hr of undiluted LP-Gases (Propane)
 (Based on 1.50 Specific Gravity Gas)

Size of Plastic Tubing in Inches		Length of Pipe or Tubing in Feet*									
NPS	SDR	10	20	30	40	50	60	70	80	90	100
½ CTS**	7	121	83	67	57	51	46	42	39	37	35
½ IPS***	9.33	340	233	187	160	142	129	119	110	103	98
¾ IPS***	11	680	486	375	321	285	258	237	221	207	196
1 CTS**	11	828	569	457	391	347	314	289	269	252	238
1 IPS***	11	1,230	844	677	580	514	466	428	398	374	353
1¼ IPS***	11	2,130	1,460	1,170	1,000	890	807	742	690	648	612
1½ IPS***	11	3,210	2,210	1,770	1,520	1,340	1,220	1,120	1,040	978	924
2 IPS***	11	5,770	3,970	3,180	2,730	2,420	2,190	2,010	1,870	1,760	1,660
3 IPS***	11	16,000	11,000	8,810	7,540	6,680	6,050	5,570	5,180	4,860	4,590
4 IPS***	11	30,900	21,200	17,000	14,600	12,900	11,700	10,800	10,000	9,400	8,900
		125	150	175	200	250	300	350	400	450	500
½ CTS**	7	31	28	26	24	21	19	18	16	15	15
½ IPS***	9.33	87	78	72	67	60	54	50	46	43	41
¾ IPS***	11	173	157	145	135	119	108	99	92	87	82
1 CTS**	11	211	191	176	164	145	132	121	113	106	100
1 IPS***	11	313	284	261	243	215	195	179	167	157	148
1¼ IPS***	11	542	491	452	420	373	338	311	289	271	256
1½ IPS***	11	819	742	683	635	563	510	469	436	409	387
2 IPS***	11	1,470	1,330	1,230	1,140	1,010	916	843	784	736	695
3 IPS***	11	4,070	3,690	3,390	3,160	2,800	2,530	2,330	2,170	2,040	1,920
4 IPS***	11	7,900	7,130	6,560	6,100	5,410	4,900	4,510	4,190	3,930	3,720

*Note: Total length of piping from the outlet of regulator to appliance furthest away. Data Calculated per NFPA #58 & NFPA #54

**Data referenced from NFPA 58 2024 Table 17.1(p)

All entries are rounded to 3 significant digits

***Data referenced from NFPA 54 2024 Table 6.3.1 (k)

CTS = Copper Tube Size IPS = Iron Pipe Size

Pipe and Tubing Selection Guide

Table 8: Polyethylene Tubing or Pipe Sizing

2 PSIG Inlet with a 1 PSIG Pressure Drop (Between 2 PSIG Service and Line Pressure Regulator)
 Tubing in thousands of BTU/hr of undiluted LP-Gases (Propane)
 (Based on 1.50 Specific Gravity Gas)

Size of Plastic Tubing in Inches**		*Total length of piping from outlet of regulator to appliance furthest away.										
NPS	SDR	10	20	30	40	50	60	70	80	90	100	125
½	9.33	3,130	2,150	1,730	1,480	1,310	1,190	1,090	1,010	952	899	797
¾	11	6,260	4,300	3,450	2,960	2,620	2,370	2,180	2,030	1,910	1,800	1,600
1	11	11,300	7,760	6,230	5,330	4,730	4,280	3,940	3,670	3,440	3,250	2,880
1 ¼	11	19,600	13,400	10,800	9,240	8,190	7,420	6,830	6,350	5,960	5,630	4,990
1 ½	11	29,500	20,300	16,300	14,000	12,400	11,200	10,300	9,590	9,000	8,500	7,530
2	11	53,100	36,500	29,300	25,100	22,200	20,100	18,500	17,200	16,200	15,300	13,500
3	11	147,000	101,000	81,100	69,400	61,500	55,700	51,300	47,700	44,700	42,300	37,500
4	11	284,000	195,000	157,000	134,100	119,000	108,000	99,100	92,200	86,500	81,700	72,400
		150	175	200	250	300	350	400	450	500	550	600
½	9.33	722	664	618	548	496	457	425	399	377	358	341
¾	11	1,450	1,330	1,240	1,100	994	914	851	798	754	716	683
1	11	2,610	2,400	2,230	1,980	1,790	1,650	1,530	1,440	1,360	1,290	1,230
1 ¼	11	4,520	4,160	3,870	3,430	3,110	2,860	2,660	2,500	2,360	2,240	2,140
1 ½	11	6,830	6,280	5,840	5,180	4,690	4,320	4,020	3,770	3,560	3,380	3,220
2	11	12,300	11,300	10,500	9,300	8,430	7,760	7,220	6,770	6,390	6,070	5,790
3	11	33,900	31,200	29,000	25,700	23,300	21,500	20,000	18,700	17,700	16,800	16,000
4	11	65,600	60,300	56,100	49,800	45,100	41,500	38,600	36,200	34,200	32,500	31,000
		650	700	750	800	850	900	950	1,000	1,100	1,200	1,300
½	9.33	327	314	302	292	283	274	266	259	246	234	225
¾	11	654	628	605	585	566	549	533	518	492	470	450
1	11	1,180	1,130	1,090	1,050	1,020	990	961	935	888	847	811
1 ¼	11	2,040	1,960	1,890	1,830	1,770	1,710	1,670	1,620	1,540	1,470	1,410
1 ½	11	3,090	2,970	2,860	2,760	2,670	2,590	2,520	2,450	2,320	2,220	2,120
2	11	5,550	5,330	5,140	4,960	4,800	4,650	4,520	4,400	4,170	3,980	3,810
3	11	15,400	14,700	14,200	13,700	13,300	12,900	12,500	12,200	11,500	11,000	10,600
4	11	29,700	28,500	27,500	26,500	25,700	24,900	24,200	23,500	22,300	21,300	20,400
		1,400	1,500	1,600	1,700	1,800	1,900	2,000				
½	9.33	216	208	201	194	188	183	178	N/A			
¾	11	432	416	402	389	377	366	356				
1	11	779	751	725	702	680	661	643				
1 ¼	11	1,350	1,300	1,260	1,220	1,180	1,140	1,110				
1 ½	11	2,040	1,960	1,900	1,840	1,780	1,730	1,680				
2	11	3,660	3,530	3,410	3,300	3,200	3,110	3,020				
3	11	10,100	9,760	9,430	9,130	8,850	8,590	8,360				
4	11	19,600	18,900	18,200	17,600	17,100	16,600	16,200				

*Total length of piping from outlet of regulator to inlet of 2 psig Service/Line Pressure Regulator (or to inlet of regulator furthest away)

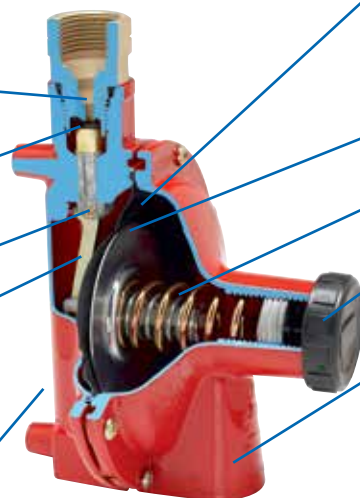
**Data referenced from NFPA 54 2024 Table 6.3.1 (I)

A

RegO Regulator Designs

RegO LP-Gas Regulators have been designed to give outstanding performance and dependability with a minimum of maintenance.

- Nozzle Orifice**
Replaceable and precision machined to prevent scoring of the seat disc.
- Seat Disc**
Replaceable, resilient construction gives sure closing at lock up pressure. Straight line seat disc to nozzle operation provides even seat disc wear and positive lock up.
- Pivot Pin**
Fully enclosed in regulator body.
- Control Linkage**
Provides quick response to diaphragm movement; moves directly perpendicular to nozzle orifice to meter gas flow, gives positive closure and reduces seat disc wear.
- Built-In Pressure Tap**
Provides a convenient way to check downstream pressure on both high and low pressure models.
- Body & Bonnet**
Painted, heavy-duty zinc resists corrosion and gives long-life protection, even under "salty air" conditions.



Molded Diaphragm Assembly

Molded synthetic rubber with a tough, flexible fabric gives a super sensitive response in a temperature range of -40° to +165°F. Molded diaphragm seals in a groove between the body and bonnet.

Diaphragm Plate

Rigid diaphragm plate transmits pressure variations to control linkage.

Relief Valve

It is built in and tamper resistant. Large bonnet vent allows high capacity relief on second stage regulators.

Bonnet Cap

Bonnet cap incorporates travel stop to help control downstream pressure in the unlikely event of a regulator malfunction.

Large Bonnet Vent

Large vent is equipped with protective screen and threaded for 3/4" F. NPT vent piping. Large vent helps prevent ice from building up and blocking the vent during inclement weather. The regulator should be installed with vent down and the vent protected against blockage.



Laser Engraved Bonnet

New bonnet design features laser- engraved information that is easy to see and matches available stickers for gas check and record keeping. *Patent Pending

Easy to Turn Adjusting Screw

We redesigned our adjusting screw to be easily turned.

1/8" pressure plug ports

Our 1/8" pressure plug ports conform to 7/16" hex wrenches.

Typical of the 1580™ Industrial High Pressure Regulators

The pounds-to-pounds, industrial regulator gives higher delivery pressure as tank pressure decreases, thus permitting full use of the gas in the tank. Most units are field adjustable to meet changing conditions.

Connections
Machined and threaded into the body forging; also includes 1/4" NPT pressure gauge ports.

Seat Disc
Synthetic rubber assembly attached directly to the diaphragm assembly to ensure proper movement and regulation.

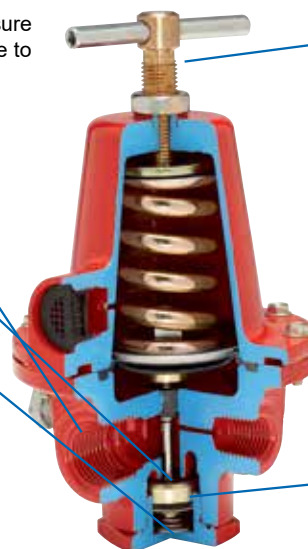
Back Cap Spring
Provides added upward force to help provide a positive lock-up.

Sensitivity

In those cases where there is a choice of delivery pressure ranges, the **lowest** spring range which will fulfill your requirements is recommended because the sensitivity of a regulator decreases as the range of the adjusting spring increases.

Relief Valves

Most high pressure regulators are not equipped with integral relief valves. For certain applications where it is desirable to protect equipment downstream of the regulator, relief valves must be installed in the line.



Adjusting Assembly

Large handle with lock-nut release allows easy resetting of delivery pressure.

Integral O-Ring

Minimizes tendency to vibrate or hum under extreme loads.

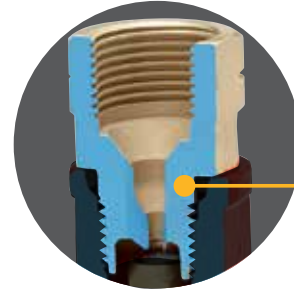
RegO Regulators Installation and Service Tips*

Why are the inlet nozzles reverse thread?

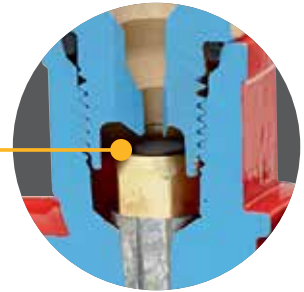
- Inlet nozzles are reverse threaded to allow for removal and service of the seat disc and inlet nozzle, when debris has affected the regulators performance. The seat disc and inlet nozzle can be cleaned and returned back to normal service.

Regulator Installation Tips

- Ensure your inlet nozzle is tightened securely into the body.
- Use back up wrenches when installing a new regulator to ensure the inlet nozzle does not loosen.
- Install new pigtails when installing a new regulator.
- Do not use excess pipe sealant, as it can move downstream and affect regulator performance.
- Install the regulator 12-18" off the ground and above snow accumulation.
- When regulators are not installed under a protective cover or tank lid.
- Install with the vent pointed vertically downwards.
- If seasonal temperatures periodically reach -20 F, or colder the first stage regulator should not be set higher than 10 PSIG.
- If seasonal temperatures periodically reach -35 F, or colder the first stage regulator should not be set higher than 5 PSIG.
- Regulator must be vented 5 feet from relief discharge, any source of ignition, or mechanical air intake, and 3 feet minimum from any building opening.
- Regulator vent must be above highest probable water level on underground tank installations.
- When installing regulators at a container connection, ensure the regulator is placed above the container connection to ensure any liquid droplets fall back into the container.



Inlet Nozzle



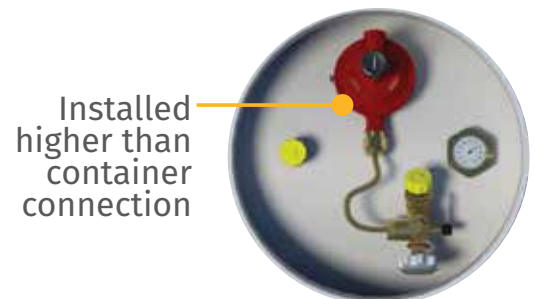
Seat Disc



Installed above highest probable water level

Regulator Service Tips

- Check regulator vents for obstructions.
- Make sure the vent screen and suppressor are properly in place.
- Ensure your inlet nozzle is tightened securely into the body.
- For high lock-up, or creep, check the inlet nozzle and seat disc for debris. Clean or replace the inlet nozzle and seat disc, reinstall and recheck your lock-up.
- When available use Presto-Tap® gauges for leak checks to avoid any debris moving from the regulators pigtail into the system.
- Make sure the regulator is properly selected for the BTU load and system demand.



Installed higher than container connection

*Installation tips and guidelines referenced from NFPA 58 2024 and NFPA 54 2021.

RegO Regulator Coding Guide

Regulator Application Guide		
Type of System	BTU/HR	Suggested Regulator
First Stage in a Two Stage System	1,500,000	LV3403TR Series
	2,500,000	LV4403SR Series
Second Stage in a Two Stage System	450,000	LV3403B Series
	935,000	LV4403B Series LV4403BD Series
	1,000,000	LV4403BRA Series LV4403BRAD Series
	1,600,000	LV5503B4/B6 LV5503B4D/B6D Series
	2,300,000	LV5503B8 LV5503B8D Series
Second Stage in a 2 PSIG System	1,000,000	LV4403Y Series LV4403YD Series
	2,200,000	LV5503Y Series LV5503YD Series
Integral Twin Stage	450,000	LV404B34/39 Series
	600,000	LV404B4/9 Series
Integral Twin Stage 2 PSIG Delivery	650,000	LV404Y39
	800,000	LV404Y9
Automatic Changeover	400,000	7525B34 Series
	450,000	7525B4 Series

Regulator Coding Guide	
Body Description	
LV	Large Vent
404	Twin Stage Regulator body
3403	Second Stage Regulator body
4403	1st or Second Stage Regulator body
5503	Second Stage Regulator body
7525	Twin Stage Automatic Changeover body
D*	Dielectric inlet
R	Integral Relief Valve (1st Stage Only)
R*	Rear Outlet
RA*	Right Angle
RAB*	Right Angle with Bracket
Outlet Pressure	
B	11" w.c. Outlet Pressure
L	Lower than 11" w.c. Special Setting
H	Higher than 11" w.c. Special Setting
G	15" w.c. Outlet Pressure Agriculture Setting
Y	2 PSIG Outlet Pressure
S	5 PSIG Outlet Pressure
T	10 PSIG Outlet Pressure
Vent Positions**	
VI	Vent Over Inlet
VO	Vent Over Outlet
V3	Vent at 3:00 O'clock Position
V9	Vent at 9:00 O'clock Position
Inlet/Outlet Connection Sizing	
1	1/2" M. Flare inlet
2	1/4" F. NPT
3	3/8" M. Flare inlet
34	1/4" F. NPT inlet X 1/2" F. NPT Outlet
39	F. POL Inlet X 1/2" F. NPT Outlet
4	1/2" F. NPT
5	5/8" M. Flare inlet
6	3/4" F. NPT
8	1" F. NPT
9	F. POL Inlet X 1/2" F. NPT Outlet
96	F. POL Inlet X 3/4" F. NPT Outlet

*2nd Stage regulators only.

**Standard vent positions are over the outlet on 1st Stage and Twin-Stage regulators, and vent over the inlet on 2nd stage regulators unless otherwise specified with the corresponding abbreviations.

Example 1

First Stage in a Two Stage System
LV4403TR9 – Red color = first stage Regulator
“LV” = large vent
“4403” = 1st Stage Regulator body
“T” = 10 PSIG outlet
“R” = Integral internal relief valve
“9” = F. POL Inlet X 1/2" F. NPT Outlet
LV4403SR9 has a 5 PSI outlet pressure



Example 2

Second Stage in a Two Stage System
LV4403B46RD – Brown color = second stage regulator
“LV” = large vent
“4403” = 2nd Stage Regulator body
“B” = 11" water column outlet pressure
“4” = 1/2" F.NPT inlet
“6” = 3/4" F.NPT outlet
“R” = rear outlet
“D” = Dielectric Inlet
LV4403B66D has a straight-thru body with a 3/4" F.NPT inlet/outlet



Example 3

Second Stage in a Two Stage System
LV5503B6- Brown color = second stage regulator
“LV” = large vent
“5503” = 2nd Stage Regulator body
“B” = 11" water column outlet pressure
“6” = 3/4" F.NPT inlet and outlet
“8” = 1" F. NPT outlet
LV5503B8 has a 3/4" F.NPT inlet and a 1" F.NPT outlet



Example 4

Second Stage in a 2 PSIG System
LV5503Y6 - Blue color = 2 PSIG regulator
“LV” = large vent
“5503” = 2nd Stage Regulator body
“Y” = 2 PSIG outlet pressure
“6” = 3/4" F.NPT inlet and outlet
“8” = 1" F. NPT outlet
LV5503Y8 has a 3/4" F.NPT inlet and a 1" F.NPT outlet



Example 5

Integral Twin Stage
LV404B39 – Brown color = Integral Twin stage Regulator
“LV” = large vent
“404” = twin stage regulator body
“B” = 11" water column outlet pressure
“39” = F. POL Inlet X 1/2" F. NPT Outlet
LV404B34 has a 1/4" F.NPT inlet and a 1/2" F. NPT outlet



Example 6

Integral Twin Stage 2 PSIG
LV404Y9 – Blue color = Integral Twin stage Regulator
“LV” = large vent
“404” = twin stage regulator body
“Y” = 2 psig outlet pressure
“9” = F. POL Inlet X 1/2" F. NPT Outlet
LV404Y39 has a F. POL Inlet and a 1/2" F. NPT Outlet

RegO Regulator Selection

Type of System		BTU/hr.	kg/hr.	Suggested Regulator
	First Stage in a Two Stage System	1,500,000	32	LV3403TR Series
		2,500,000	54	LV4403SR Series LV4403TR Series
	Second Stage in a Two Stage System	450,000	10	LV3403B Series LV3403BR Series
		935,000	20	LV4403B Series LV4403BD Series
		1,600,000	34	LV5503B4/B6 LV4403B4D/B6D
		2,300,000	49	LV5503B8 LV5503B8D
		1,000,000	21	LV4403Y4/Y46R
	Second Stage in a 2 PSIG System	2,200,000	47	LV5503Y6/Y8
	Integral Twin Stage	450,000	9	LV404B34/39 Series
		600,000	11	LV404B4/B9 Series
	Integral Twin Stage 2 PSIG Delivery	800,000	17	LV404Y9
		650,000	14	LV404Y39
	Automatic Changeover	400,000	8	7525B34 Series
		450,000	9	7525B4 Series

A

Compact First Stage Regulators

LV3403TR

Application

Ideal for use as a first stage regulator on any domestic size ASME or DOT container in propane gas installations requiring up to 1,500,000 BTU's per hour. The regulator is factory set to reduce container pressure to an intermediate pressure of approximately 10 PSIG (0.69 BARG).

Features

- Compact design can be connected to a service valve using either a POL adapter or a RegO product pigtail.
- Large threaded 3/8" F.NPT bonnet vent can easily be piped-away underground installations without the need of glue kits or extra adapters.
- Non Adjustable
- Large flow orifice resists freeze ups due to water concentration in LPG vapor.
- Design provides for good flow regulation at both high and low container pressures.
- Built in relief valve and travel stop comply with NFPA 58 over pressure requirements.
- Incorporates 1/8" F.NPT downstream pressure tap for an easy inline check of the regulator's delivery pressure.
- Molded diaphragm provides an o-ring type seal between the body and bonnet.
- Body and bonnet are assembled in the USA using the unique, patented RegUlok seal system.
- Fully painted in brilliant red for complete corrosion protection.
- Mounting bracket available as an accessory: part number 3403-31.
- Temperature Range: -40°F to +165°F

Materials

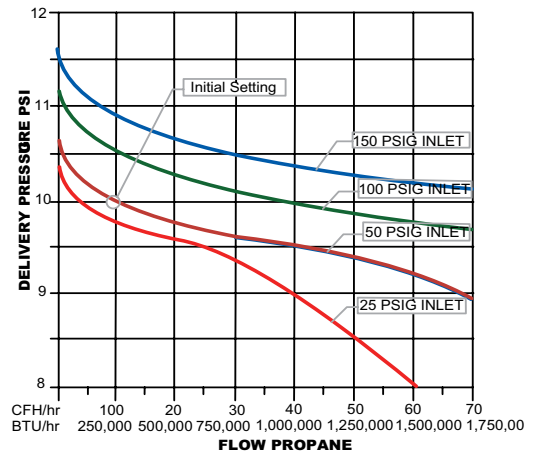
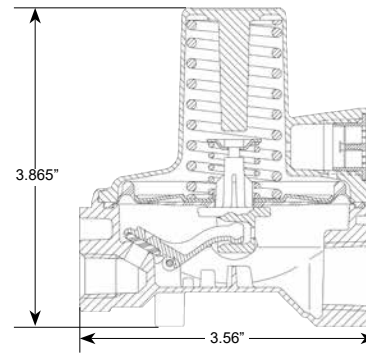
BodyZinc
 BonnetZinc
 Spring Steel
 Seat DiscResilient Rubber
 Diaphragm.....Integrated Fabric and Synthetic Rubber



LV3403TR



LV3403TR9V9



Ordering Information

Part Number	Inlet Connection	Outlet Connection	Orifice Size	Factory Delivery Pressure	Bonnet Vent Position	Vapor Capacity BTU/hr Propane*
LV3403TR	1/4" F. NPT	1/2" F. NPT	#16 Drill (4.49mm)	10 PSIG @ 50 PSIG Inlet (0.69 Bar @ 3.44 Bar inlet)	Over Outlet	1,500,000 BTU/hr (32 KG/hr)
LV3403TRV9					Opposite Gauge Port	
LV3403TR9	Over Outlet					
LV3403TR9V9	Opposite Gauge Port					

*Maximum flow based on inlet pressure 20 PSIG(1.4 bar) higher than the regulator setting and delivery pressure 20% lower than the regulator setting and delivery pressure 20% lower than the setting.

High Pressure First Stage Regulators LV4403SR and TR Series

Application

Provides accurate first stage regulation in two-stage bulk tank systems. Reduce tank pressure to an intermediate pressure of 5 to 10 PSIG (0.34 to 0.69 BARg). Also used to supply high pressure burners for applications like industrial furnaces or boilers. Also incorporated in multiple cylinder installations.

Features

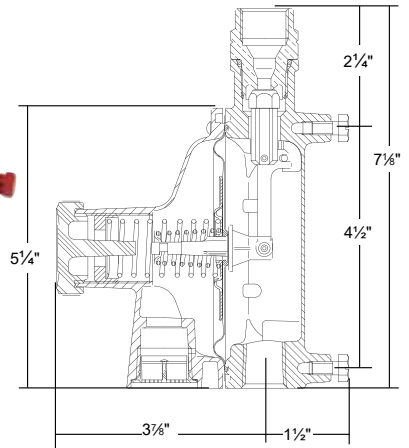
- Incorporate integral relief valves for added system protection.
- Large vent helps prevent blockage and has 3/4" F.NPT thread for vent piping.
- Bonnet vent positioned over outlet to avoid icing and contamination by foreign material.
- Unique bonnet vent profile designed to minimize vent freeze over when properly installed.
- Replaceable valve orifice and valve seat disc.
- Straight-line valve closure reduces wear on seat disc.
- Large molded diaphragm is extra sensitive to pressure changes.
- Built in pressure tap has plugged 1/8" F.NPT outlet.
- Plug can be removed with a standard 7/16" wrench.
- Extra long lever arm provides uniform delivery pressure.
- Brilliant red finish.
- Temperature Range: -40°F to +165°F

Materials

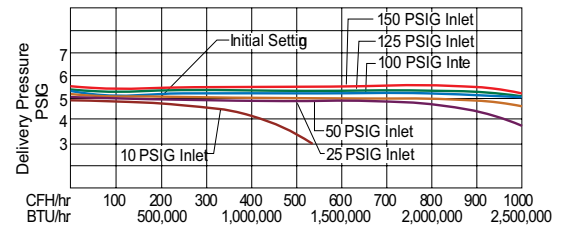
Body Die Cast Zinc
 Bonnet Die Cast Zinc
 Nozzle Orifice Brass
 Spring Steel
 Valve Seat Disc Resilient Rubber
 Diaphragm Integrated Fabric and Synthetic Rubber



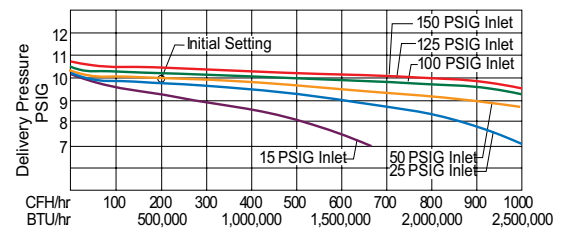
LV4403 Series



LV4403SR



LV4403TR



Ordering Information

Part Number	Inlet Connection	Outlet Connection	Orifice Size	Factory Delivery Pressure	Adjustment Range	Bonnet Vent Position	Vapor Capacity BTU/hr Propane*
LV4403SR4	1/2" F. NPT	1/2" F. NPT	1/4" (6.25mm)	5 PSIG @ 50 PSIG inlet (0.34 Bar @ 3.44 Bar inlet)	1-5 PSIG (0.069-0.34 bar)	Over Outlet	2,500,000 BTU/hr (53 KG/hr)
LV4403SR4VI				Over Inlet			
LV4403TR4				Over Outlet			
LV4403TR4V9				9 o'clock			
LV4403TR4VI				Over Inlet			
LV4403SR9	F. POL	1/2" F. NPT	1/4" (6.25mm)	5 PSIG @ 50 PSIG inlet (0.34 Bar @ 3.44 Bar inlet)	1-5 PSIG (0.069-0.34 bar)	Over Outlet	
LV4403TR9				Over Outlet			
LV4403TR9V9				9 o'clock			
LV4403SR96				Over Outlet			
LV4403SR96VI				Over Inlet			
LV4403TR96	Over Outlet						
LV4403TR96V9	9 o'clock						
LV4403SR66	3/4" F. NPT	3/4" F. NPT	1/4" (6.25mm)	5 PSIG @ 50 PSIG inlet (0.34 Bar @ 3.44 Bar inlet)	1-5 PSIG (0.069-0.34 bar)	Over Outlet	
LV4403SR66VI				Over Inlet			
LV4403TR66				Over Outlet			

*Maximum flow based on inlet pressure 20 PSIG(1.4 bar) higher than the regulator setting and delivery pressure 20% lower than the regulator setting and delivery pressure 20% lower than the setting.

Low Pressure Second Stage Regulators - Standard Settings

LV4403B Series

Application

Designed to reduce first stage pressure of 5 to 20 PSIG (0.34 to 1.38 BARG) down to burner pressure, normally 11" w.c. Ideal for medium commercial installations, multiple cylinder installations and normal domestic loads.

Features

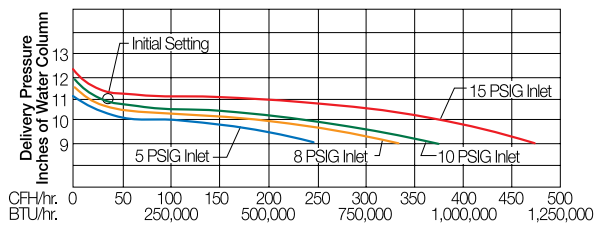
- Large vent helps prevent blockage and has 3/4" F.NPT for vent piping.
- With 15 PSIG inlet pressure, regulator is designed to not pass more than 2 PSIG with the seat disc removed.
- Incorporates integral relief valves.
- Replaceable valve orifice and valve seat disc.
- Straight line valve closure reduces wear on seat disc.
- Unique bonnet vent profile minimizes vent freeze over when properly installed.
- Large molded diaphragm is extra sensitive to pressure changes.
- Built in pressure tap has plugged 1/8" F.NPT outlet. Plug can be removed with a standard 7/16" wrench.
- Select brown finish.
- Temperature Range: -40°F to +165°F

Backmount Design

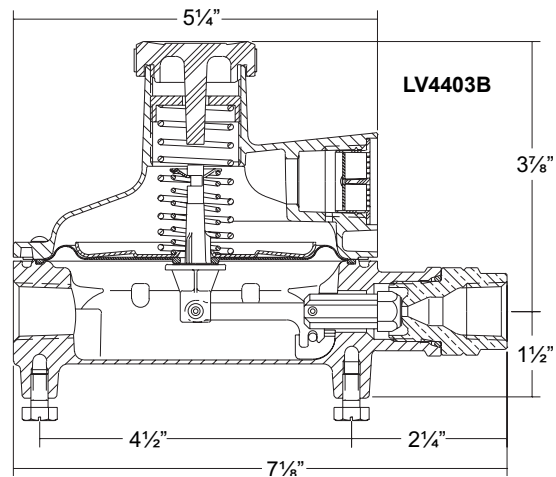
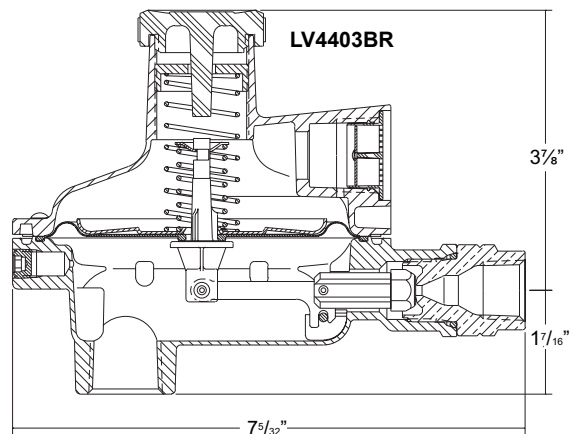
Mounts directly to house line piping. Eliminates need for union joints, elbows, and mounting brackets. Quick and easy to install.

Materials

Body Die Cast Zinc
 Bonnet Die Cast Zinc
 Nozzle Orifice Brass
 Spring Steel
 Valve Seat Disc Resilient Rubber
 Diaphragm Integrated Fabric and Synthetic Rubber



LV4403B Series



Ordering Information

Part Number	Inlet Connection	Outlet Connection	Orifice Size	Factory Delivery Pressure	Adjustment Range	Bonnet Vent Position	Vapor Capacity BTU/hr Propane****
LV4403B4*	1/2" F. NPT	1/2" F. NPT	#28 Drill (3.57mm)	11" w.c. at 10 PSIG Inlet (27.4 mbar at 0.69 bar)	9" to 13" w.c. (22.4 to 32.3 mbar)	Over Inlet	935,000 BTU/hr (20 KG/hr)
LV4403B46**		3/4" F. NPT					
LV4403B46R***		3/4" F. NPT					
LV4403B66**	3/4" F. NPT	3/4" F. NPT	#28 Drill (3.57mm)	11" w.c. at 10 PSIG Inlet (27.4 mbar at 0.69 bar)	9" to 13" w.c. (22.4 to 32.3 mbar)	Over Inlet	935,000 BTU/hr (20 KG/hr)
LV4403B66R***							

*Available in vent over outlet (VO) and vent at 9 O'clock(V9)
 **Available in vent over outlet (VO), vent at 3 O'clock(V3) and vent at 9 O'clock(V9)
 ***Backmount design
 ****Maximum flow based on 10 PSIG(0.69 bar) inlet and 9" w.c.(22.4 mbar) delivery pressure.
 100 RegO Dr. Elon, NC 27244 USA www.regoproducts.com



Dielectric Second Stage Regulators LV4403BD Series

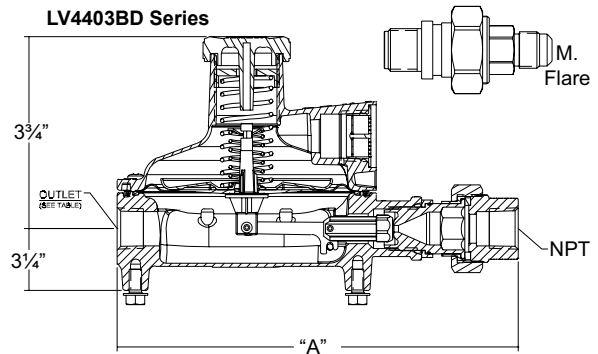
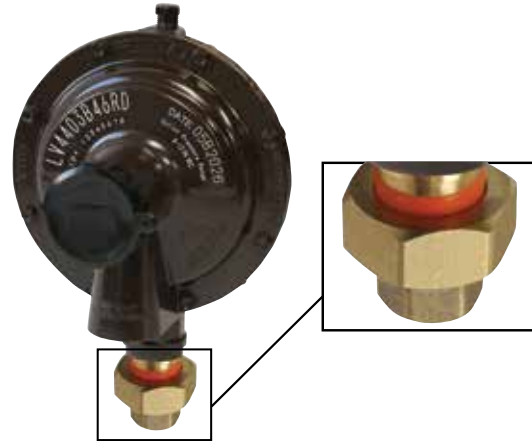
Application

RegO's Dielectric second stage regulators are designed to reduce first stage pressure normally 10 PSIG (0.69 BARG) down to burner pressure, normally 11" w.c. and are ideal for medium commercial installations, multiple cylinders installations and normal domestic loads.

RegO Dielectric second stage regulators are engineered to isolate potential electrical current from metallic piping before entering a building. The use of a separate dielectric union is not necessary because the regulator contains a dielectric union as part of the inlet assembly. Available in both SAE Flare and F.NPT inlet connection.

Features

- F. NPT Dielectric Union is made of Brass
- M. SAE Flare inlet connection made of solid Brass
- All second stage features are the same as LV4403B Series
- Temperature Range: -40°F to +165°F



Ordering Information

Part Number	Inlet Connection	Outlet Connection	Inlet Material	Orifice Size	Factory Delivery Pressure	Adjustment Range	Bonnet Vent Position	Vapor Capacity BTU/hr Propane ****
3/8" M. Flare = 3								
LV4403B3D	3/8" M Flare	1/2" F. NPT	Brass	# 28 Drill (3.57mm)	11" w.c. at 10 PSIG Inlet (27.4 mbar at 0.69 bar)	9" to 13" w.c. (22.4 to 32.3 mbar)	Over Inlet	935,000 BTU/hr (20 KG/hr)
LV4403B36D		3/4" F. NPT						
LV4403B3RD*		1/2" F. NPT						
LV4403B36RD*		3/4" F. NPT		3/16" (4.78mm)				1,000,000 BTU/hr (21 KG/hr)
LV4403B36RAD**								
LV4403B36RABD***								
1/2" M. Flare = 1								
LV4403B1D	1/2" M Flare	1/2" F. NPT	Brass	# 28 Drill (3.57mm)	11" w.c. at 10 PSIG Inlet (27.4 mbar at 0.69 bar)	9" to 13" w.c. (22.4 to 32.3 mbar)	Over Inlet	935,000 BTU/hr (20 KG/hr)
LV4403B16D		3/4" F. NPT						
LV4403B16RD*								
LV4403B16RAD**								
LV4403B16RABD***				3/16" (4.78mm)				1,000,000 BTU/hr (21 KG/hr)
1/2"-3/4" F. NPT Female Union								
LV4403B4D	1/2" F.NPT	1/2" F.NPT	Brass	# 28 Drill (3.57mm)	11" w.c. at 10 PSIG Inlet (27.4 mbar at 0.69 bar)	9" to 13" w.c. (22.4 to 32.3 mbar)	Over Inlet	935,000 BTU/hr (20 KG/hr)
LV4403B46D		3/4" F. NPT						
LV4403B66D								
LV4403B46RD*	1/2" F. NPT							
LV4403B66RD*								
LV4403B66RAD**	3/4" F. NPT	3/16" (4.78mm)		1,000,000 BTU/hr (21 KG/hr)				
LV4403B66RABD***								

* Backmount Design.

** Right Angle Design

*** Right Angle with Bracket

**** Maximum flow is based on 10 PSIG (0.69 BARG) inlet and 9" w.c.(22.4 Mbar) delivery pressure.

Low Pressure Second Stage Regulators - Special Settings

LV4403H Series

Application

Designed to reduce first stage pressure of 5 to 10 PSIG down to pressure higher than 11" water column, the actual pressure setting is specified in the table below. These regulators are designed for installations where the appliances require pressures greater than 11 inches w.c.

Features

- Large vent helps prevent blockage and has 3/4" F.NPT for vent piping.
- With 15 PSIG inlet pressure, regulator is designed to not pass more than 2 PSIG with the seat disc removed.
- Incorporates integral relief valves.
- Replaceable valve orifice and valve seat disc.
- Straight line valve closure reduces wear on seat disc.
- Unique bonnet vent profile minimizes vent freeze over when properly installed.
- Large molded diaphragm is extra sensitive to pressure changes.
- Built in pressure tap has plugged 1/8" F.NPT outlet. Plug can be removed with a standard 7/16" wrench.
- Select brown finish.
- Temperature Range: -40°F to +165°F

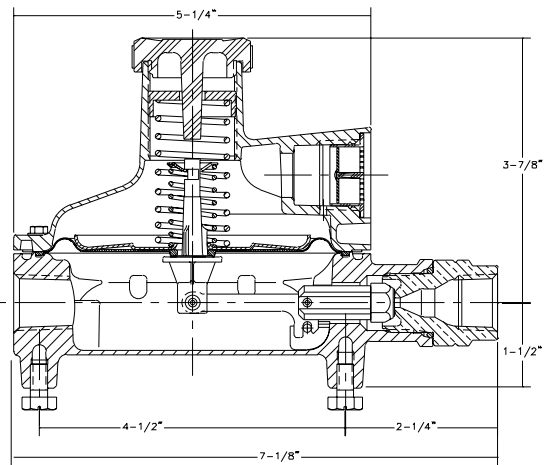
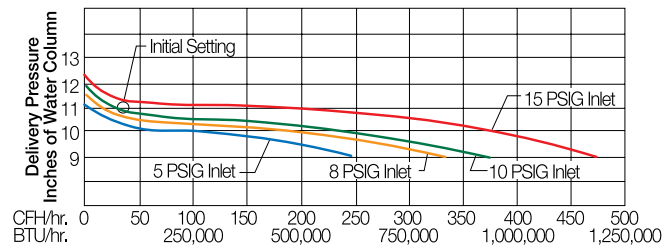
Materials

Body Die Cast Zinc
 Bonnet Die Cast Zinc
 Nozzle Orifice Brass
 Spring Steel
 Valve Seat Disc Resilient Rubber
 Diaphragm Integrated Fabric and Synthetic Rubber



LV4403H Series

LV4403H



Ordering Information

Part Number	Inlet Connection	Outlet Connection	Orifice Size	Factory Delivery Pressure	Adjustment Range	Bonnet Vent Position	Vapor Capacity BTU/hr. Propane**
LV4403H222	1/4" F.NPT	1/2" F.NPT	#28 (3.57mm)	22" w.c. at 10 PSIG Inlet (54.7 mbar at 0.69 bar)	15-35 w.c. (37.3-87.1 mbar)	Inlet	700,000 (15 kg/hr)
LV4403H414	1/2" F.NPT			14" w.c. at 10 PSIG inlet (34.8 mbar at 0.69 bar)	12.5-19 w.c. (31.1-47.3 mbar)		
LV4403H420				20" w.c. at 10 PSIG inlet (49.8 mbar at 0.69 bar)	15-35 w.c. (37.3-87.1 mbar)		
LV4403H4614	1/2" F.NPT	3/4" F.NPT		14" w.c. at 10 PSIG inlet (34.8 mbar at 0.69 bar)	12.5-19 w.c. (31.1-47.3 mbar)		
LV4403H4620	3/4" F.NPT			20" w.c. at 10 PSIG inlet (49.8 mbar at 0.69 bar)	15-35 w.c. (37.3-87.1 mbar)		
LV4403H6614	3/4" F.NPT	14" w.c. at 10 PSIG inlet (34.8 mbar at 0.69 bar)		12.5-19 w.c. (31.1-47.3 mbar)			

* Maximum flow based on 10 PSIG (0.69 BARG) inlet 20% drop in delivery pressure
 100 RegO Dr. Elon, NC 27244 USA www.regoproducts.com



Compact "Back-Mount" Regulator LV3403BR Series

Application

The LV3403BR Back Mount Regulator is designed to reduce first stage pressure of 5-10 PSIG down to burner pressure normally 11" w.c. Designed as a second stage regulator for smaller applications with flow requirements up to 450,000 BTU/hr. and are ideal for homes, mobile homes, and cottages.

Features

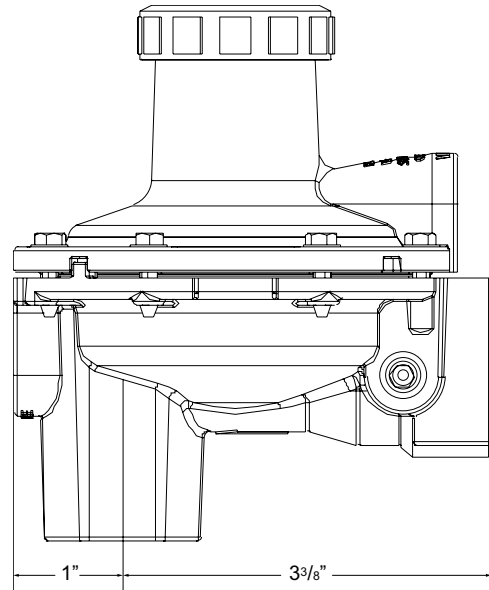
- Built in 1/8" F.NPT pressure taps on both regulator inlet and outlet side of the regulator. Plugs can be removed with a standard 7/16" wrench.
- Large vent helps prevent vent blockage, it is tapped for 3/8" F.NPT for vent pipe away applications.
- With 15 PSIG inlet pressure, the regulator is designed to not pass more than 2 PSIG downstream with the seat disc removed per UL 144 specifications.
- Incorporates an integral relief valve per UL 144 specifications.
- Unique bonnet vent profile minimizes vent freeze over.
- Compact design saves space.
- Temperature Range: -40°F to +165°F

Materials

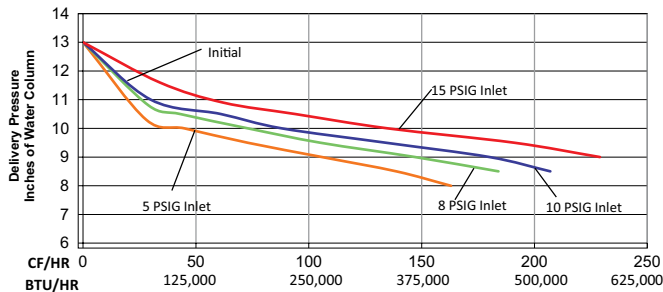
BodyZinc
BonnetZinc
Spring Steel
Seat Disc Resilient Rubber
DiaphragmIntegrated Fabric and Synthetic Rubber



LV3403BR Series



LV3403B Series



Ordering Information

Part Number	Inlet Connection	Outlet Connection	Orifice Size	Factory Delivery Pressure		Adjustment Range	Bonnet Vent Position	Vapor Capacity BTU/hr *
				w.c.	barg			
LV3403B44R	1/2" F.NPT	1/2" F.NPT	7/32"	11" w.c. at 10 psig Inlet	27.37 MBars at 0.69 barg Inlet	9" to 13" w.c. (22.4 to 32.35 MBars)	Over Inlet	450,000
LV3403B46R		3/4" F.NPT						
LV3403B66R	3/4" F.NPT							

* Maximum flow is based on 10 PSIG (0.69 BARG) inlet and 9" w.c.(22.4 Mbar) delivery pressure

Compact Second Stage Regulator for LP-Gas LV3403B4

Application

The LV3403B4 is designed to reduce first stage pressure of 5-20 PSIG down to burner pressure normally 11" w.c. Designed as a second stage regulator for smaller applications with flow requirements up to 450,000 BTU's/hr, they are ideal for homes, mobile homes, and cottages.



Features

- Large vent helps prevent vent blockage, it is tapped for 3/8" F.NPT for vent piping.
- With 15 PSIG inlet pressure, the regulator is designed to not pass more than 2 PSIG downstream with the seat disc removed, per NFPA 58.
- Incorporates an integral relief valve
- Unique bonnet vent profile minimizes vent freeze over when properly installed.
- Compact design saves space.
- Built in pressure taps 1/8" F.NPT on both regulator inlet and downstream side of the regulator. Plugs can be removed with a standard 7/16" wrench.
- Select brown finish.
- Temperature Range: -40°F to +165°F

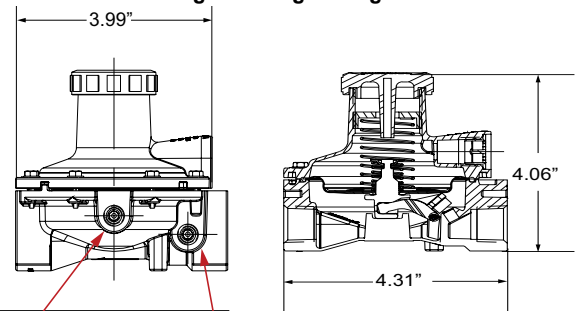


LV3403B4 Series

Materials

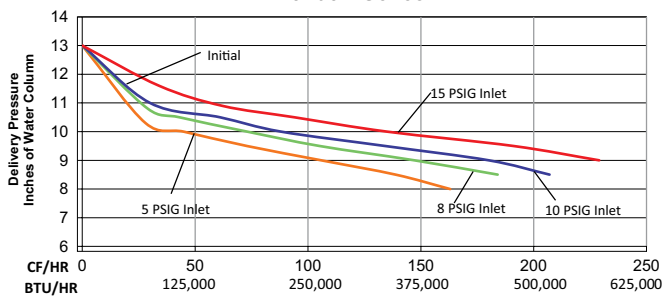
BodyZinc
 BonnetZinc
 SpringSteel
 Seat DiscResilient Rubber
 DiaphragmIntegrated Fabric and Synthetic Rubber

Straight Through Design



A

LV3403B Series



Ordering Information

Part Number	Inlet Connection	Outlet Connection	Orifice Size	Factory Delivery Pressure	Adjustment Range	Bonnet Vent Position	Vapor Capacity BTU/hr Propane*
LV3403B4	1/2" F.NPT	1/2" F.NPT	7/32" (5.56 mm)	11" w.c. at 10 PSIG Inlet (27.4 mbar at 0.69 bar)	9" to 13" w.c. (22.4 to 32.3 mbar)	Inlet	450,000 (9.49 kg/hr)
LV3403B4V3						3:00	
LV3403B4V0						Outlet	
LV3403B4V9						9:00	

* Maximum flow based on 10 PSIG (0.69 BARG) Inlet 9" w.c. (22.4 mbar) delivery pressure

Low Pressure Second Stage Regulators LV4403B66RA Series

Application

Designed to reduce first stage pressure of 5 to 20 PSIG down to burner pressure, normally 11" w.c. Ideal for medium commercial installations, vapor meter installations and normal domestic loads.

Features

- 90 degree right angle inlet to outer connection for meter or standard installations.
- Large vent helps to prevent blockage and has 3/4" F. NPT for vent piping.
- With 15 PSIG inlet pressure, regulator is designed to not pass more than 2 PSIG with the seat disc removed.
- Replaceable valve orifice and valve seat.
- Straight line valve closure reduces wear on seat disc
- Unique bonnet vent profile minimizes vent freeze over when properly installed.
- Large molded diaphragm is extra sensitive to pressure changes.
- Built in pressure tap has plugged 1/8" F. NPT outlet. Plug can be removed with a standard 7/16" wrench.
- Select Brown Finish
- Temperature Range: -40°F to +165°F

Right Angle Design

Can mount directly to vapor meter. It is also suitable for mounting directly to the house piping. It will retrofit into existing installations that are currently using a 90 degree, right angle regulator.

Materials

Body Die Cast Zinc
 Bonnet Die Cast Zinc
 Nozzle Orifice Brass
 Spring Steel
 Valve Seat Disc Resilient Rubber
 Diaphragm Integrated Fabric and Synthetic Rubber



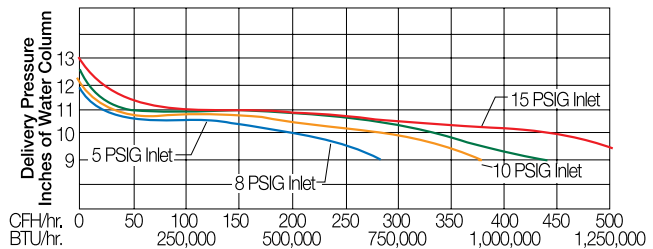
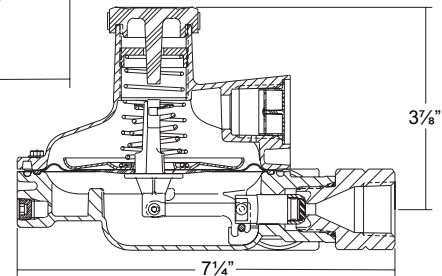
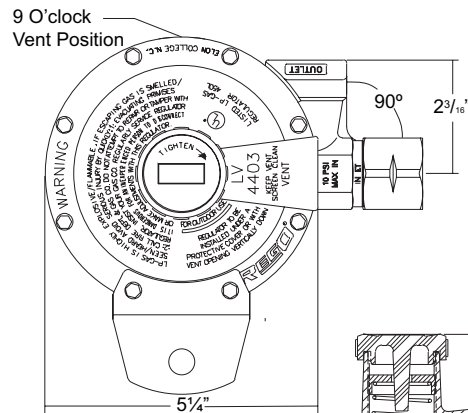
LV4403B66RA Series



Attached to Vapor Meter



w/ Mounting Bracket



Ordering Information

Part Number	Inlet Connection	Outlet Connection	Orifice Size	Factory Delivery Pressure	Adjustment Range	Bonnet Vent Position	Vapor Capacity BTU/hr. Propane*
LV4403B66RA	3/4" F. NPT	3/4" F. NPT	3/16" (4.78mm)	11" w.c. at 10 PSIG Inlet (27.4 mbar at 0.69 bar)	9" to 13" w.c. (22.4 to 32.3 mbar)	Over Inlet	1,000,000 BTU/hr (21 KG/hr)
LV4403B66RAB**						9 O'clock	
LV4403B66RA9						9 O'clock	

* Maximum flow is based on 10 PSIG (0.69 BARG) inlet and 9" w.c. (22.4 Mbar) delivery pressure.

** Mounting Bracket Included.

Low Pressure Second Stage Regulators - Standard Settings

LV5503B Series

Application

Designed to reduce first stage pressure of 5 to 20 PSIG down to burner pressure, normally 11" w.c. Ideal for larger commercial and industrial applications, multiple cylinder installations and large domestic systems.



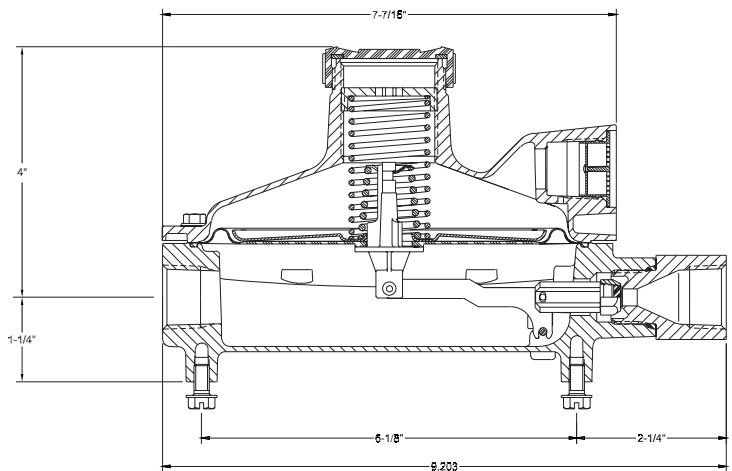
LV5503B Series

Features

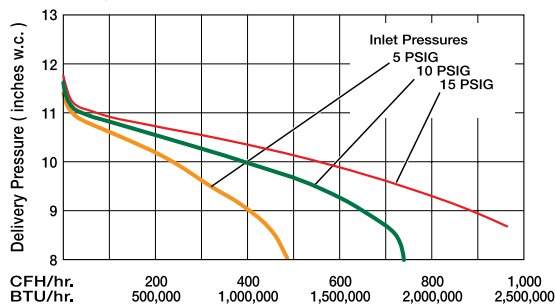
- Incorporates integral relief valve.
- With 15 PSIG inlet pressure, regulator is designed to not pass more than 2 PSIG with the seat disc removed.
- Replaceable valve orifice and valve seat disc.
- Straight line valve closure saves wear on seat disc and orifice.
- Built in pressure tap has plugged 1/8" F.NPT outlet. Plug can be removed with a standard 7/16" wrench.
- Large bonnet vent profile minimizes vent freeze over when properly installed.
- Extra long lever arm for uniform delivery pressure.
- Large diaphragm is extra sensitive to pressure changes.
- Temperature Range: -40°F to +165°F

Materials

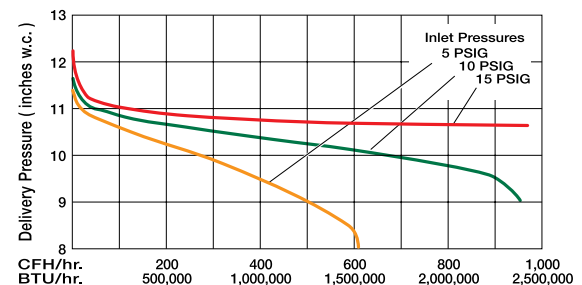
Body (LV5503B Series) Die Cast Aluminum
 Bonnet (LV5503B Series) Die Cast Aluminum
 Nozzle Orifice Brass
 Spring Steel
 Valve Seat Disc Resilient Rubber
 Diaphragm Integrated Fabric and Synthetic Rubber



LV5503B4, LV5503B6



LV5503B8



Ordering Information

Part Number	Inlet Connection	Outlet Connection	Orifice Size	Factory Delivery Pressure	Adjustment Range	Bonnet Vent Position	Vapor Capacity BTU/hr. Propane**
LV5503B4*	1/2" F. NPT	3/4" F. NPT	1/4" (6.25mm)	11" w.c. at 10 PSIG Inlet (27.4 mbar at 0.69 bar)	9" to 13" w.c. (22.4 to 32.3 mbar)	Over Inlet	1,600,000 (34 kg/hr)
LV5503B6*							
LV5503B8*	3/4" F. NPT	1" F. NPT	9/32" (7.14mm)				2,300,000 (48 kg/hr)

*Available in vent over outlet (VO), vent at 3 O'clock (V3) and vent at 9 O'clock (V9)

** Maximum flow is based on 10 PSIG (0.69 BARG) inlet and 9" w.c. (22.4 mbar) delivery pressure.

Low Pressure Second Stage Regulators - Special Settings

LV5503H Series

Application

Designed to reduce first stage pressure of 5 to 20 PSIG down to burner pressure, normally 11" w.c. Ideal for larger commercial and industrial applications, multiple cylinder installations and large domestic systems.



Features

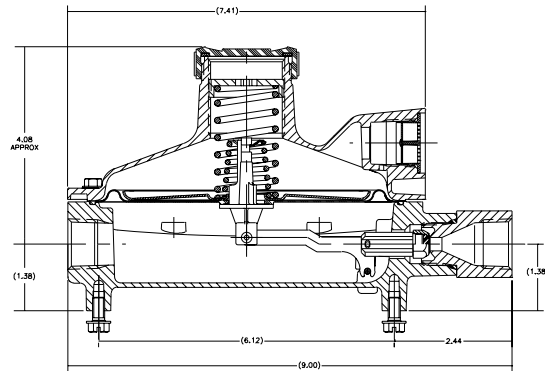
- Incorporates integral relief valve.
- With 15 PSIG inlet pressure, regulator is designed to not pass more than 2 PSIG with the seat disc removed.
- Replaceable valve orifice and valve seat disc.
- Straight line valve closure saves wear on seat disc and orifice.
- Built in pressure tap has plugged 1/8" F.NPT outlet. Plug can be removed with a standard 7/16" wrench.
- Large bonnet vent profile minimizes vent freeze over when properly installed.
- Extra long lever arm for uniform delivery pressure.
- Large diaphragm is extra sensitive to pressure changes.
- Temperature Range: -40°F to +165°F



LV5503H Series

Materials

Body Die Cast Aluminum
 Bonnet Die Cast Aluminum
 Nozzle Orifice Brass
 Spring Steel
 Valve Seat Disc Resilient Rubber
 Diaphragm Integrated Fabric and Synthetic Rubber



Part Number	Inlet Connection	Outlet Connection	Orifice Size	Factory Delivery Pressure	Adjustment Range	Bonnet Vent Position	Vapor Capacity BTU/hr Propane*
LV5503H414	1/2" F. NPT	3/4" F. NPT	1/4" (6.25mm)	14" w.c. @ 10 PSIG Inlet (34.8 mbar @ 0.69 bar)	7-16 w.c. (17.4-39.8 mbar)	Inlet	1,600,000 (34 kg/hr)
LV5503H614				20" w.c. @ 10 PSIG Inlet (49.8 mbar @ 0.69 bar)	11-28 w.c. (27.4-69.7 mbar)	Outlet	
LV5503H620				40" w.c. @ 10 PSIG Inlet (99.5 mbar @ 0.69 bar)	28-84 w.c. (69.7-209 mbar)	Inlet	
LV5503H620V					Outlet		
LV5503H640							
LV5503H640V							
LV5503H814	3/4" F. NPT	1" F. NPT	9/32" (7.14mm)	14" w.c. @ 10 PSIG Inlet (34.8 mbar @ 0.69 bar)	7-16 w.c. (17.4-39.8 mbar)	Inlet	2,300,000 (48 kg/hr)
LV5503H820				20" w.c. @ 10 PSIG Inlet (49.8 mbar @ 0.69 bar)	11-28 w.c. (27.4-69.7 mbar)		
LV5503H840				40" w.c. @ 10 PSIG Inlet (99.5 mbar @ 0.69 bar)	28-84 w.c. (69.7-209 mbar)		

*Maximum flow is based on 10 PSIG (0.69 BARG) inlet 20% drop in delivery pressure

Second Stage Regulators for 2 PSI Systems LV4403Y and LV5503Y Series

Application

Designed to reduce first stage pressure of 10 PSIG down to 2 PSIG. A line pressure regulator is required downstream to reduce the 2 PSIG to a nominal 11" w.c.

Features

- Large vent helps prevent blockage and has 3/4" F.NPT for vent piping.
- With 15 PSIG inlet pressure, regulator is designed to not pass more than 5 PSIG with the seat disc removed.
- Incorporates an integral relief valve.
- Replaceable valve orifice and valve seat disc.
- Straight line valve closure reduces wear on seat disc.
- Unique bonnet vent profile minimizes vent freeze over when properly installed.
- Large molded diaphragm is extra sensitive to pressure changes.
- Built in pressure tap has plugged 1/8" F.NPT outlet. Plug can be removed with a standard 7/16" wrench.
- Select blue finish.
- Temperature Range: -40°F to +165°F

*Backmount Design

Mounts directly to house line piping. Eliminates need for union joints, elbows, and mounting brackets. Quick and easy to install.

Materials

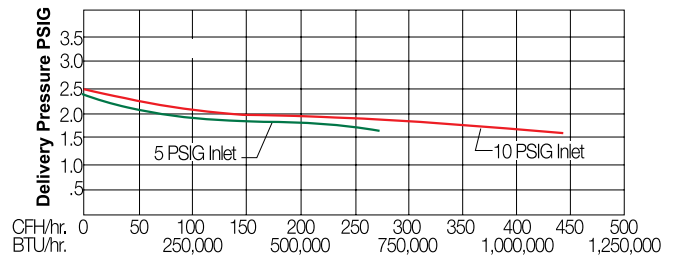
Body (LV4403Y Series) Die Cast Zinc
 Body (LV5503Y Series) Die Cast Aluminum
 Bonnet (LV4403Y Series) Die Cast Zinc
 Bonnet (LV5503Y Series) Die Cast Aluminum
 Nozzle Orifice Brass
 Spring Steel
 Valve Seat Disc Resilient Rubber
 Diaphragm Integrated Fabric and Synthetic Rubber



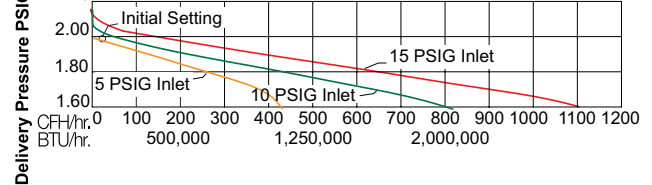
LV4403Y Series

LV5503Y Series

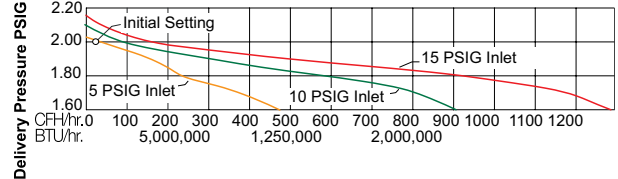
LV4403Y4, LV4403Y46R



LV5503Y6



LV5503Y8



Ordering Information

Part Number	Inlet Connection	Outlet Connection	Orifice Size	Factory Delivery Pressure	Adjustment Range	Bonnet Vent Position	Vapor Capacity BTU/hr. Propane**
LV4403Y4	1/2" F. NPT	1/2" F. NPT	1/4" (6.25mm)	2 PSIG @ 10 PSIG Inlet (0.138 bar @ 0.69 bar)	1.6-2.2 psig (0.110-0.151 bar)	Over Inlet	1,000,000 BTU/hr (21 KG/hr)
LV4403Y66	3/4" F.NPT	3/4" F.NPT					
LV4403Y46R*	1/2" F. NPT						
LV4403Y66R*	3/4" F.NPT						
LV5503Y6	3/4" F.NPT	1" F. NPT	9/32" (7.14mm)				2,200,000 BTU/hr (46.42 KG/hr)
LV5503Y8	3/4" F. NPT						

* Backmount design

**Maximum flow is based on 10 PSIG (0.69 BARG) inlet pressure and 1.5 PSIG (0.10 BARG) delivery pressure.

Dielectric Second Stage Regulators for 2 PSI Systems LV4403Y3D Series

Application

Designed to reduce first stage pressure of 10 PSIG down to 2 PSIG. A line pressure regulator is required downstream to reduce the 2 PSIG to a nominal 11" w.c.

RegO Dielectric second stage regulators for 2 PSI systems are engineered to isolate potential electrical current from metallic piping before entering a building. The use of a separate dielectric union is not necessary because the regulator contains a dielectric union as part of the inlet assembly. Available in both SAE Flare and F.NPT inlet connection.

Features

- F. NPT Dielectric Union is made of Brass
- M. SAE Flare inlet connection made of solid Brass
- Large vent helps prevent blockage and has 3/4" F.NPT for vent piping.
- With 15 PSIG inlet pressure, regulator is designed to not pass more than 5 PSIG with the seat disc removed.
- Incorporates an integral relief valve.
- Replaceable valve orifice and valve seat disc.
- Straight line valve closure reduces wear on seat disc.
- Unique bonnet vent profile minimizes vent freeze over when properly installed.
- Large molded diaphragm is extra sensitive to pressure changes.
- Built in pressure tap has plugged 1/8" F.NPT outlet. Plug can be removed with a standard 7/16" wrench.
- Select blue finish.
- Temperature Range: -40°F to +165°F

*Backmount Design

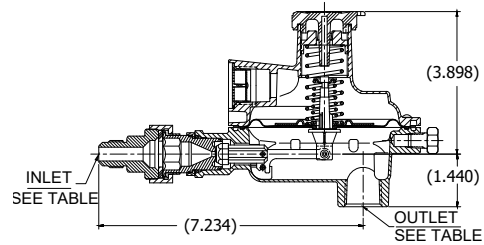
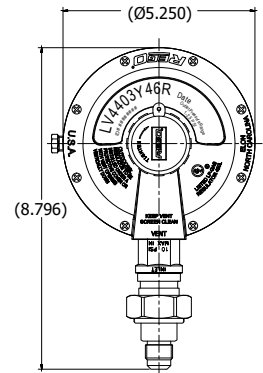
Mounts directly to house line piping. Eliminates need for union joints, elbows, and mounting brackets. Quick and easy to install.

Materials

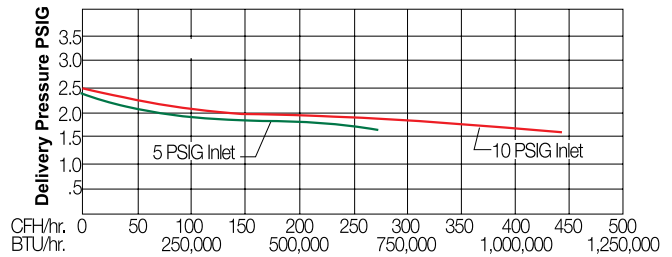
Body Die Cast Zinc
 Bonnet Die Cast Zinc
 Nozzle Orifice Brass
 Spring Steel
 Valve Seat Disc Resilient Rubber
 Diaphragm Integrated Fabric and Synthetic Rubber
 Dielectric Union Body Brass
 Dielectric Union Inlet..... Plated Steel



LV4403Y3D



LV4403Y4D, LV4403Y46RD



Ordering Information

Part Number	Inlet Connection	Outlet Connection	Orifice Size	Factory Delivery Pressure	Adjustment Range	Bonnet Vent Position	Vapor Capacity BTU/hr. Propane**
LV4403Y4D	1/2" F. NPT	1/2" F. NPT	1/4" (6.25mm)	2 PSIG @ 10 PSIG Inlet (0.14 mbar at 0.69 bar)	1.6-2.2 PSIG (0.110-0.151 bar)	Over Inlet	1,000,000 BTU/hr (21 KG/hr)
LV4403Y66D	3/4" F. NPT	3/4" F. NPT					
LV4403Y46RD	1/2" F. NPT*						
LV4403Y66RD	3/4" F. NPT*						

*Backmount design

**Maximum flow based on 10 PSIG(0.69 bar) inlet and 1.5 PSIG(0.1 bar) delivery pressure

Low Pressure Second Stage Tobacco Barn Regulator LV5503G4 Series

Application

Especially developed for drying barns in the tobacco industry. The LV5503G4 regulator will supply a steady and constant flow of fuel to as many as 12 to 20 burners throughout the barn.



Features

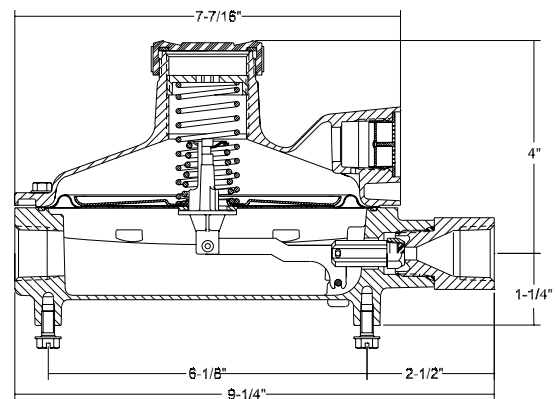
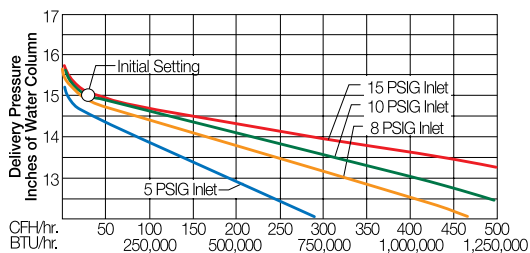
- Similar to construction of the LV5503B Series. Provides the same stability, low lock-up, and sensitive performance.
- Equipped with integral relief valve.
- Built in pressure tap has plugged $\frac{1}{8}$ " F.NPT outlet. Plug can be removed with a standard $\frac{7}{16}$ " wrench.
- Distinctive yellow finish.
- Temperature Range: -40°F to $+165^{\circ}\text{F}$

Materials

Body Die Cast Aluminum
 Bonnet Die Cast Aluminum
 Nozzle Orifice Brass
 Spring Steel
 Valve Seat Disc Resilient Rubber
 Diaphragm Integrated Fabric and Synthetic Rubber



LV5503G4 Series



Ordering Information

Part Number	Inlet Connection	Outlet Connection	Orifice Size	Factory Delivery Pressure	Adjustment Range	Bonnet Vent Position	Vapor Capacity BTU/hr. Propane*
LV5503G4	$\frac{1}{2}$ " F. NPT	$\frac{3}{4}$ " F. NPT	$\frac{1}{4}$ " (6.25mm)	15" w.c. @ 15 PSIG Inlet (37.32mbar @ 1.03 bar)	8" - 18" w.c. (19.91-44.79 mbar)	Above Inlet	1,750,000 (36.92 KG/hr)

Maximum flow is based on 15 PSIG (1.03 BARG) inlet pressure and 13" w.c.(32.3 Mbar) delivery pressure.

Compact Twin Stage Regulators LV404B4 and LV404B9 Series

Application

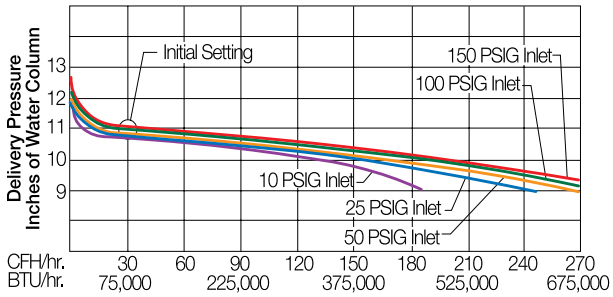
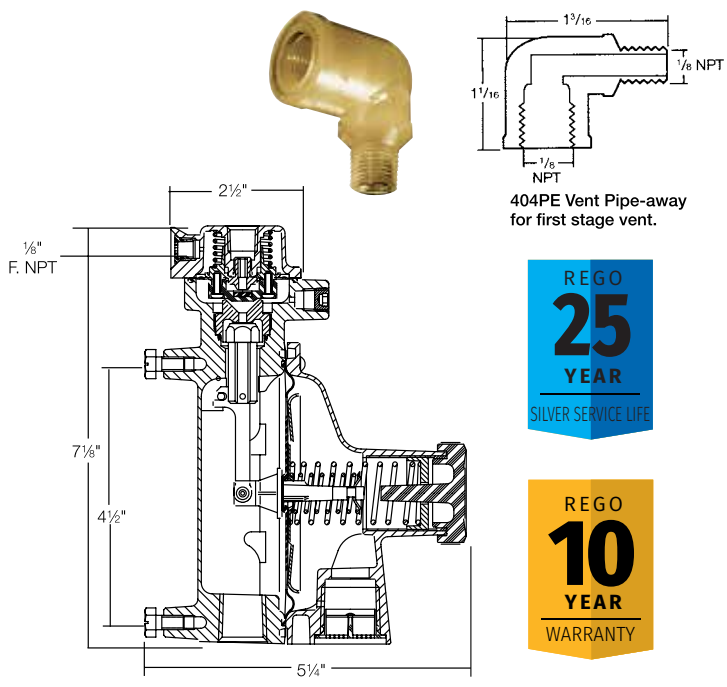
This compact two-stage regulator is designed to reduce container pressure down to 11" w.c. delivery pressure. It is ideal for "on-site" cylinder applications, mobile homes and average domestic service including small ASME and 100 to 420 pound DOT cylinders.

Features

- Incorporates integral relief valve.
- With 15 PSIG inlet pressure, regulator is designed to not pass more than 2 PSIG with the seat disc removed.
- Large vent helps prevent blockage and has 3/4" F. NPT for vent piping.
- Compact size allows for easy installation — especially under container hoods and within collars.
- Vent on the first stage is consistently in the down position.
- Built in pressure taps on both first and second stage regulators have plugged 1/8" F.NPT outlets. Plugs can be removed with a standard 7/16" wrench.
- Select brown finish.
- Temperature Range: -40°F to +165°F

Materials

Body (First Stage)..... Zinc or Brass
 Body (Second Stage) Die Cast Zinc
 Nozzle Orifice Brass
 Spring Steel
 Valve Seat Disc Resilient Rubber
 Diaphragm Integrated Fabric and Synthetic Rubber



Ordering Information

Part Number	Inlet Connection	Outlet Connection	Orifice Size	Factory Delivery Pressure	Adjustment Range	Bonnet Vent Position 1st Stage	Bonnet Vent Position 2nd Stage	Vapor Capacity BTU/hr Propane*
LV404B4	1/4" F. NPT	1/2" F. NPT	3/16" (4.78mm)	11" w.c. at 100 PSIG Inlet (27.4 mbar at 6.9 bar)	9" to 13" w.c. (22.4 to 32.3 mbar)	Down	Over Outlet	600,000 BTU/hr (13 KG/hr)
LV404B4V9		9 o'clock				9 o'clock		
LV404B46		Down				Over Outlet		
LV404B46V9		9 o'clock				9 o'clock		
LV404B9	F. POL	1/2" F. NPT				Down	Over Outlet	
LV404B9V9		9 o'clock				9 o'clock		
LV404B96		Down				Over Outlet		
LV404B96V9		9 o'clock				9 o'clock		

*Maximum flow is based on 25 PSIG (1.72 BARG) inlet pressure and 9" w.c. (22.4 mbar)

Compact Twin Stage Regulators for LP-Gas LV404B34 & LV404B39 Series

Application

The compact twin-stage regulator is designed to reduce container pressure down to 11" w.c. delivery pressure. It is ideal for "on site" container applications such as homes, mobile homes and cottages for average domestic service; including small ASME tanks and 100-420 pound DOT cylinders.

Features

- Large vent helps prevent vent blockage, the second stage regulator bonnet is tapped for 3/8" F.NPT for vent piping, the high pressure regulator is tapped with 1/8" F.NPT for vent piping.
- With 15 PSIG inlet pressure, the regulator is designed to not pass more than 2 PSIG downstream with the seat disc removed.
- Incorporates an integral relief valve on second stage.
- Unique bonnet vent profile minimizes vent freeze over when properly installed.
- Compact design saves space allows for easy installation – especially under container hoods with collars.
- Built in pressure taps 1/8" F.NPT on both high pressure regulator inlet and downstream side of the second stage regulator.
- Plugs can be removed with a standard 7/16" wrench.
- Select brown finish.
- Temperature Range: -40°F to +165°F

Materials

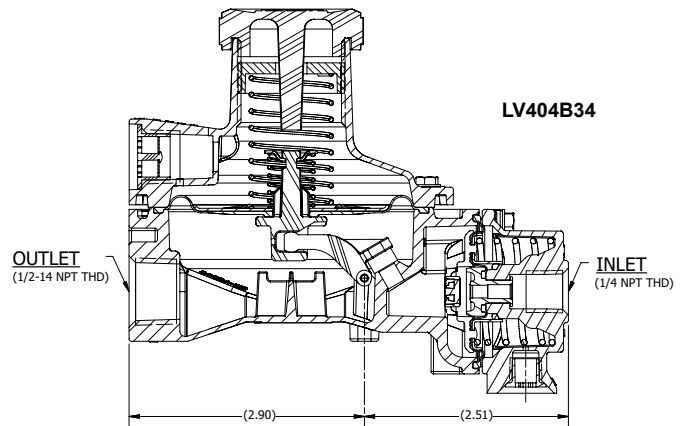
Body First Stage (LV404B39) Brass
 Body First Stage (LV404B34) Die Cast Zinc
 Bonnet Second Stage Die Cast Zinc
 Diaphragms Integrated Fabric and Synthetic Rubber
 Springs Steel and Stainless Steel
 Valve Discs Resilient Synthetic Rubber



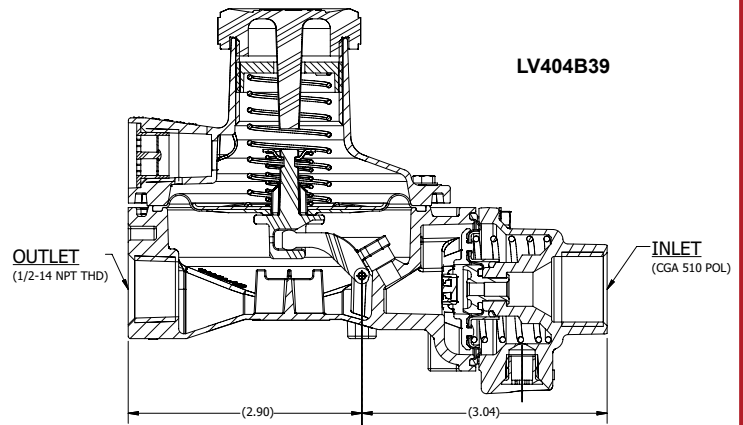
LV404B39



LV404B34

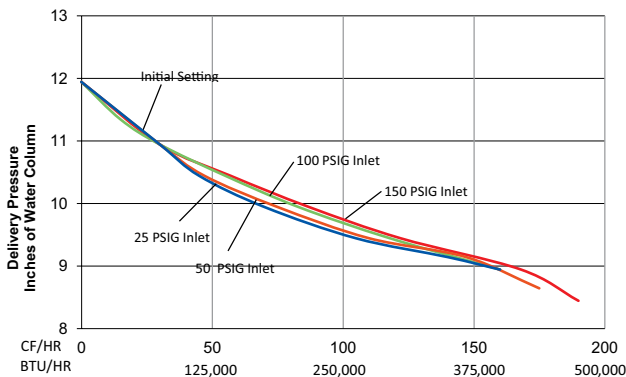


LV404B34



LV404B39

LV404B34/B39



Ordering Information

Part Number	Inlet Connection	Outlet Connection	Orifice Size	Factory Delivery Pressure	Adjustment Range	Bonnet Vent Position 1st stage**	Bonnet Vent Position 2nd stage**	Vapor Capacity BTU/hr Propane*
LV404B34	1/4" F.NPT	1/2" F.NPT	7/32" (5.56mm)	11" w.c. at 100 PSIG Inlet (27.4 mbar at 6.9 bar)	9" to 13" w.c. (22.4 to 32.3 mbar)	Rear	Outlet	450,000 (9.49 kg/hr)
LV404B39	F.POL					Left	9:00	
LV404B34V9	1/4" F.NPT							
LV404B39V9	F.POL							

*Maximum flow is based on 25 PSIG (1.72 BARG) inlet pressure and 9" w.c. (22.4 mbar)
 ** Other vent positions available upon request

Low Pressure Twin Stage Regulators - Special Settings LV404H Series

Application

This two-stage regulator is designed to reduce container pressure down to pressure higher than 11" water column. The actual pressure setting is specified in the table below. These regulators are designed for installations where the appliances require pressures greater than 11 inches w.c.

Features

- Large vent helps prevent vent blockage, the second stage regulator bonnet is tapped for 3/8" F.NPT for vent piping, the high pressure regulator is tapped with 1/8" F.NPT for vent piping.
- With 15 PSIG inlet pressure, the regulator is designed to not pass more than 2 PSIG downstream with the seat disc removed.
- Incorporates an integral relief valve on second stage.
- Unique bonnet vent profile minimizes vent freeze over when properly installed.
- Compact design saves space allows for easy installation – especially under container hoods with collars.
- Built in pressure taps 1/8" F.NPT on both high pressure regulator inlet and downstream side of the second stage regulator.
- Plugs can be removed with a standard 7/16" wrench.
- Select brown finish.
- Temperature Range: -40°F to +165°F



LV404H

Materials

Body First Stage (LV404B39)..... Brass
 Body First Stage (LV404B34)..... Die Cast Zinc
 Bonnet Second Stage..... Die Cast Zinc
 Diaphragms Integrated Fabric and Synthetic Rubber
 Springs Steel and Stainless Steel
 Valve Discs Resilient Synthetic Rubber

Ordering Information

Part Number	Inlet Connection	Outlet Connection	Orifice Size	Factory Delivery Pressure	Adjustment Range	Bonnet Vent Position 1st Stage	Bonnet Vent Position 2nd Stage	Vapor Capacity BTU/hr Propane*
LV404H415	1/4" F. NPT	1/2" F. NPT	3/16" (4.78mm)	15" w.c. @ 100 PSIG Inlet (37.32mbar @ 1.03 bar)	11 - 17.5" w.c. (27.4 - 43.5 mbar)	Rear	Over Outlet	600,000 BTU/hr (13 KG/hr)
LV404H415V3					11 - 17.5" w.c. (27.4 - 43.5 mbar)	3 O'clock		
LV404H420				20" w.c. @ 100 PSIG Inlet (49.8 mbar @ 1.03 bar)	13" - 41" w.c. (32.3-102 mbar)	Rear		
LV404H440		40" w.c. @ 100 PSIG Inlet (99.5 mbar @ 1.03 bar)		30" - 60" w.c. (74.6 - 149.3 mbar)	9 O'Clock	9 O'Clock		
LV404H440V9		20" w.c. @ 100 PSIG Inlet (49.8 mbar @ 1.03 bar)		13" - 41" w.c. (32.3-102 mbar)	Rear	Over Outlet		
LV404H4620		3/4" F. NPT						

*Maximum flow is based on 25 PSIG (1.72 BARG) inlet 20% drop in delivery pressure.

Twin Stage Automatic Changeover Regulators

7525B Series

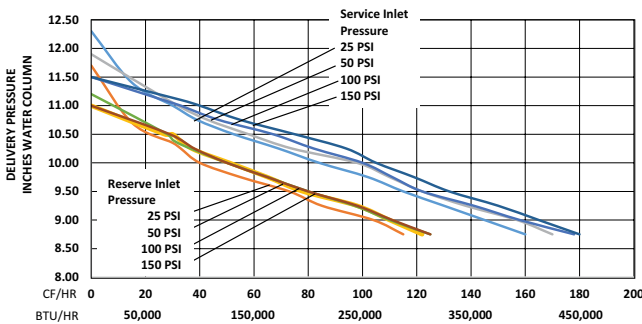
Application

These combination automatic changeover, two stage regulators are especially suitable for homes, mobile homes, cottages, construction and other portable two cylinder installations. Empty containers may be replaced without interrupting customer's gas service.

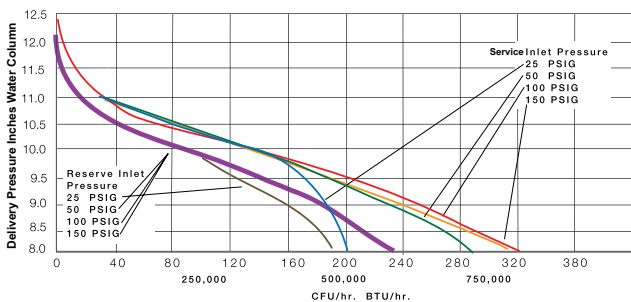
Features

- Automatic changeover switches from "service" to "reserve" cylinder automatically without interrupting service.
- The Second Stage Incorporates wide bonnet drip lip vent to guard against freeze-up when properly installed.
- With 15 PSIG inlet pressure the second stage, regulator is designed to not pass more than 2 PSIG with the seat disc removed.
- Allows "reserve" cylinder to supplement the flow of gas from the "service" cylinder during extreme load or severe cold conditions.
- Incorporates molded diaphragm in second stage regulators.
- Integral indicator gauge.
- Changeover knob and indicator are integral to the first stage.
- Select brown finish on first stage.
- Temperature Range: -40°F to +165°F

7525B34



7525B4



Ordering Information

Automatic Changeover Regulator	Inlet	Outlet	Pigtails	Bracket	Vapor Capacity BTU/hr Propane*
7525B34	1/4" Inverted Flare	1/2" F. NPT	912FA20	3403-31	400,000 (8.4 KG/hr)
7525B34			912FS20		
7525B4			912FA20	2503-22	450,000 (9.49 kg/hr)
7525B4			912FS20		

*Maximum flow is based on 25 PSIG (1.72 BARG) inlet pressure and 9" w.c. (22.4 mbar)(22.4 mbar)

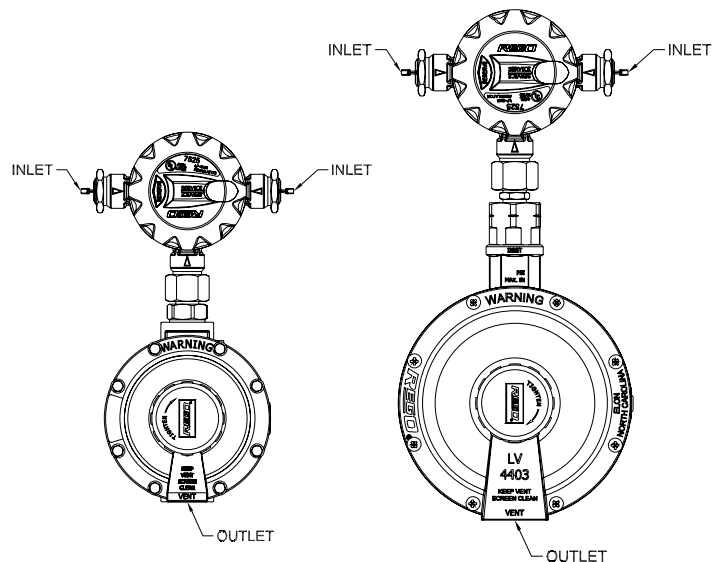


7525B34

7525B4

Materials

- Body (First Stage)..... Die Cast Zinc
- Body (Second Stage) Die Cast Zinc
- Bonnet First Stage Die Cast Zinc
- Bonnet, Second Stage Die Cast Zinc
- First Stage Nozzle Orifice Brass
- Springs Steel
- Valve Seat Discs Resilient Rubber
- Diaphragms Integrated Fabric and Synthetic Rubber



Two PSIG Delivery Pressure Twin-Stage Regulators LV404Y9 & Compact LV404Y39

Application

SPECIAL 2 PSIG DELIVERY pressure twin stage regulator is designed to reduce container pressure down to 2 PSIG. A line pressure regulator is required downstream to reduce the 2 PSIG to a nominal 11" w.c.

Features

- Incorporates an integral relief valve in the 2 PSIG stage portion of the regulator.
- Designed to pass no more than 5 PSIG with the seat disc removed.
- Large vent helps prevent blockage and is tapped with a FNPT thread for piping away.
- Compact Design
- Built in pressure taps. Plugs can be removed with a standard 7/16" wrench.
- **Select Blue Finish** to designate 2 PSIG delivery pressure for 2-pound systems.
- Temperature Range: -40°F to +165°F

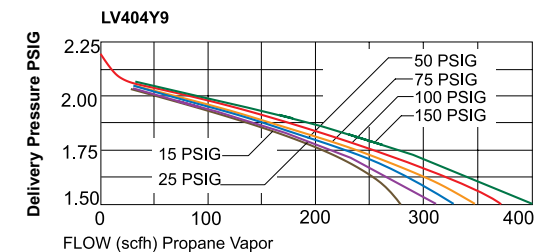
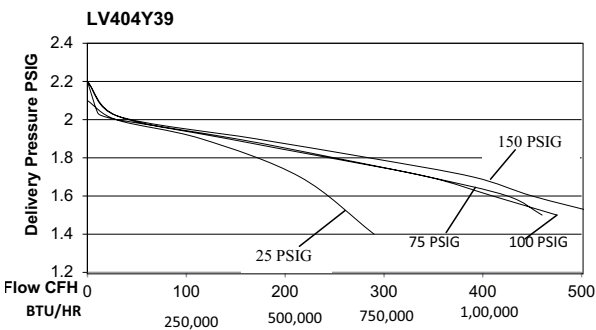
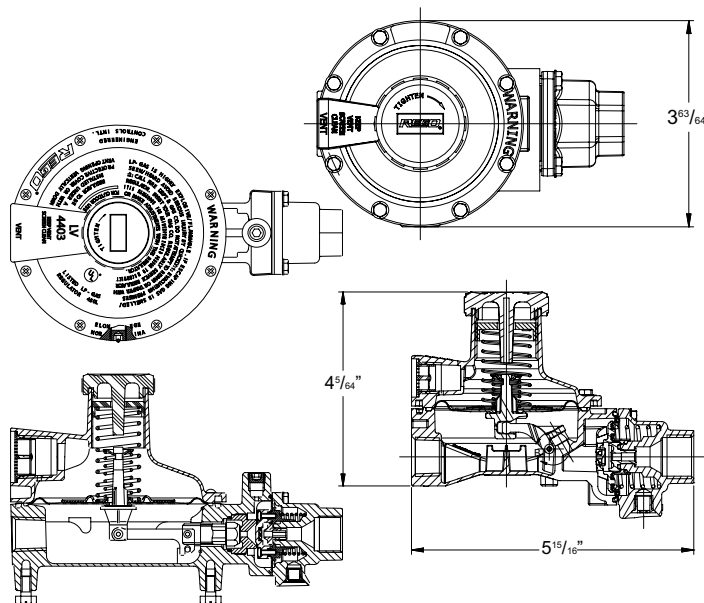
Materials

Body (First Stage)..... Brass
 Body (2 PSIG Stage) Die Cast Zinc
 Bonnet, Second Stage Die Cast Zinc
 Diaphragms Integrated Fabric and Synthetic Rubber
 Springs Steel and Stainless Steel
 Valve Discs Resilient Rubber



LV404Y39

LV404Y9



Ordering Information

Part Number	Inlet Connection	Outlet Connection	Orifice Size	Factory Delivery Pressure	Adjustment Range	Bonnet Vent Position 1st Stage	Bonnet Vent Position 2nd Stage	Vapor Capacity BTU/hr Propane*
LV404Y39	F.POL (CGA 510)	1/2" F.NPT	7/32" (5.56mm)	2 PSIG @ 100 PSIG Inlet (0.14 bar at 6.9 bar)	1.8-2.5 PSIG (0.12-0.17 bar)	Down	Outlet	600,000 BTU/hr (12.66 KG/hr)
9 o'clock								
Outlet							800,000 (16.88 KG/hr)	
9 o'clock								

*Maximum flow is based on 25 PSIG (1.72 BARG) inlet pressure and 1.5 PSIG (0.10 BARG) delivery pressure.

Twin Stage Regulator Outfits 5828 and 5832

Application

This outfit contains the equipment required to provide twin-stage regulation.

Features

- Includes a new pigtail. This helps ensure that a new pigtail is installed along with the regulator.
- Features, designs, and performance characteristics of the individual components may be found under the appropriate section of this catalog.



LV404B4

LV404B34



912JS Series

Ordering Information

Kit Number	Twin Stage Regulator Included	Inlet	Outlet F. NPT	Pigtails Included	Vapor Capacity BTU/hr Propane*
5828	LV404B4	¼" F.NPT	½"	912JS12	600,000 (12.66 KG/hr)
5829				912JS20	
5839	LV404B9V9	F. POL		912PS12	450,000 (9.49 kg/hr)
5832	LV404B34V9	¼" F.NPT		912JS12	
5833			912JS20		

Automatic Changeover Regulator Outfits 5726B34, 5754B4

Application

This outfit contains the equipment required to provide twin-stage regulation.

Features

- Includes 2 new pigtails. This helps ensure that a new pigtail is installed along with the regulator.
- Features, designs, and performance characteristics of the individual components may be found under the appropriate section of this catalog.



912FA20

7525B4

Ordering Information

Kit Number	Automatic Changeover Regulator Included	Inlet	Outlet F. NPT	Pigtails Included-2	Bracket Included	Vapor Capacity BTU/hr Propane*
5726B34	7525B34	¼" Inverted Flare	½"	912FA20	3403-31	400,000 BTU/hr (8.4 KG/hr)
5754B4	7525B4			912FA20	2503-22	450,000 (9.49 kg/hr)

Compact Regulators 302 Series

Application

These compact regulators are designed for smaller outdoor grills and fish cookers. It is intended for use on small portable appliances that use 100,000 BTU's/hr. or less. It may not be used on fixed pipe systems per NFPA 58, 2024 edition.



Features

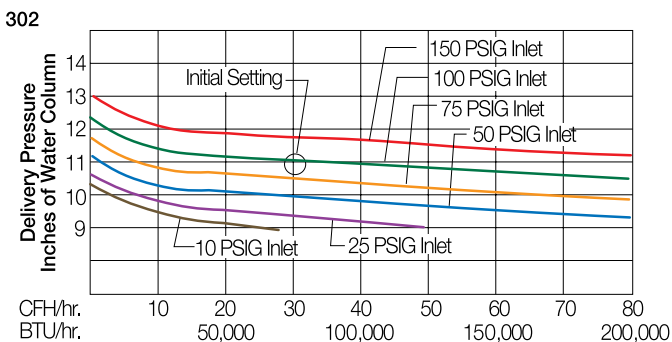
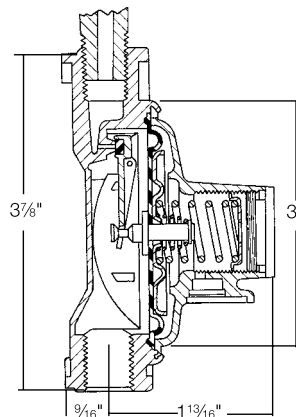
- All metal, die cast construction.
- Molded diaphragms ensure close control of burner pressure.
- Durable valve levers.
- Variety of model configurations and sizes available.
- All POL inlet connections are soft nose.
- Temperature Range: -40°F to +165°F

Materials

Body Die Cast Zinc
 Bonnet Die Cast Zinc
 Springs Steel
 Valve Seat Discs Resilient Rubber
 Diaphragms Molded Synthetic Rubber



302



302V



Ordering Information

Part Number	Type	Inlet Connection	Outlet Connection	Orifice Size	Factory Delivery Pressure	Adjustment Range	Bonnet Vent Position	Vapor Capacity BTU/hr. Propane*
302	Single Stage	1/4" F. NPT	3/8" F. NPT	#50 Drill (1.77mm)	11" w.c. at 100 PSIG Inlet (27.4 mbar at 6.9 bar)	9" to 13" w.c. (22.4 to 32.3 mbar)	Small Vent Above Inlet	125,000 BTU/hr (2.6 KG/hr)
302V		1/4" F. NPT					Drip Lip Above Inlet	
302V9		1/4" F. NPT					Drip Lip at 9 o'clock	
302V9LS		Soft POL w/o orifice						

Maximum flow is based on 25 PSIG (1.72 BARG) inlet pressure and 9" w.c. delivery pressure.

High Pressure Industrial / Commercial Pounds-to-Pounds Regulators

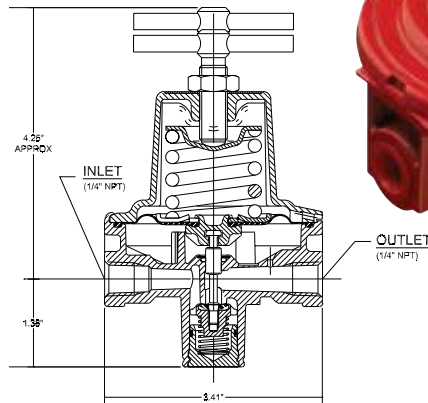
597F Series

Application

Designed to reduce propane gas container pressure down to between 3 and 100 PSIG. Ideal for liquid or vapor service, they can be used in a variety of applications including salamander heaters, weed burning torches, fish cookers, tar pot heaters, and other industrial type services.

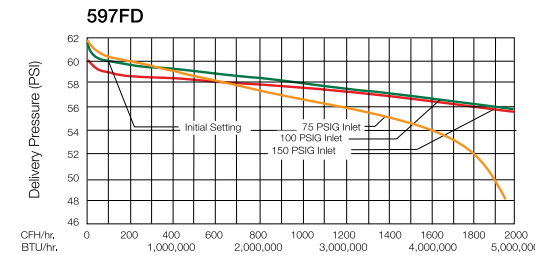
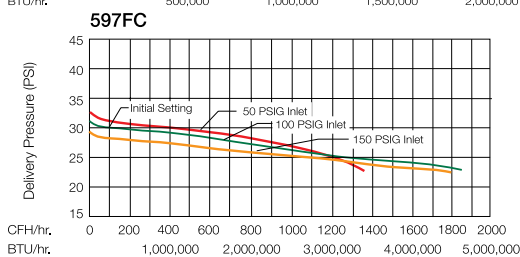
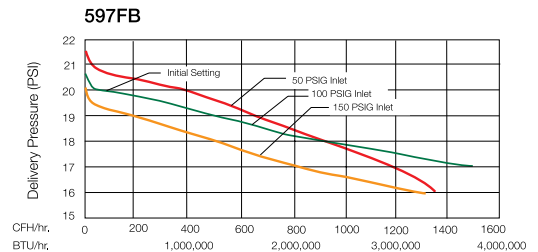
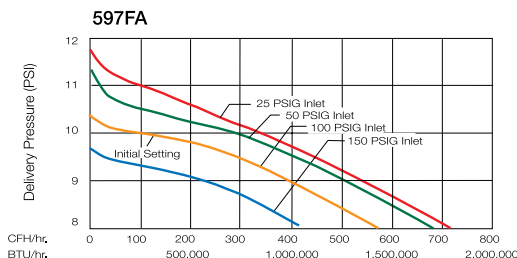
Features

- Provides high capacity performance at a reasonable price.
- Suitable for both liquid and vapor service.
- Compact design provides for easy installation.
- Negative or indirect acting design provides for excellent performance when needed most – in cold weather, when tank pressures are lowest and system demands are highest.
- Consistent delivery pressure, especially in cold weather, helps ensure maximum performance from the second stage regulator.
- Can be readily fitted with a pressure gauge in the 1/4" F.NPT port.
- Molded diaphragm provides an o-ring like seal between the body and the bonnet.
- Fully painted in brilliant red for complete corrosion protection.
- Available in four adjustable ranges for maximum performance.
- Bonnet and body are assembled in the USA using the unique, patented RegULok™ Seal System.
- Temperature Range: -40°F to +165°F



Materials

Body	Zinc
Bonnet	Zinc
Springs	Steel
Valve Seat Discs	Resilient Rubber
Diaphragms	Integrated Fabric and Synthetic Rubber
Adjusting Screw	Brass



Ordering Information

Part Number	Adjustment Method	Inlet Connection	Outlet Connection	Adjustment Range	Capacity Determined at Set Pressure of PSIG*	Vapor Capacity BTU/hr Propane**
597FA	Tee Handle	1/4" NPT	1/4" NPT	1 to 15 PSIG (0.07 to 1.0 bar)	10 PSIG (0.7 bar)	1,750,000 BTU/hr (37 KG/hr)
597FB				10 to 30 PSIG (0.69 to 2.0 bar)	20 PSIG (1.4 bar)	3,000,000 BTU/hr (63 KG/hr)
597FC				20 to 45 PSIG (1.4 to 3.1 bar)	30 PSIG (2.0 bar)	3,500,000 BTU/hr (74 KG/hr)
597FD				40 to 100 PSIG (2.75 to 6.9 bar)	40 PSIG (2.75 bar)	4,500,000 BTU/hr (95 KG/hr)

* Set pressure established at 100 PSIG(6.9 BARG) inlet and a flow of 250,000 BTU/hr.

** Capacity determined at actual delivery pressure 20% less than set pressure with inlet pressure 20 PSIG higher than the set pressure.

NOTE: Care must be taken to prevent re-liquefaction of propane at normal temperatures by heat tracing or other effective means. Use of a relief valve upstream or downstream of these regulators is recommended in accordance with NFPA 58.

High Pressure Industrial / Commercial Pounds-to-Pounds Regulators

1580V™ and AA1580V™ Series

Application

Designed to reduce LP-Gas and anhydrous ammonia container pressures to between 3 and 125 PSIG. Precision-built with a multi-million BTU capacity, the 1580V™ series is perfect for such big, tough jobs as crop dryers, asphalt batch mixing plants, road building "tar wagons", heat treating and other large industrial and commercial loads. It's also ideal as a first stage regulator in large multiple operations. The AA1580V™ series is ideal for use in anhydrous ammonia applications such as blue print machines and heat treating.



Features

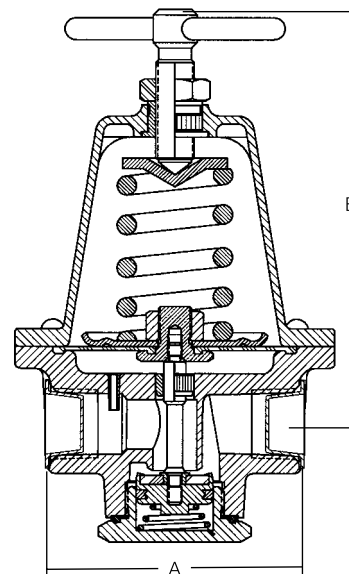
- Large nozzle and straight through flow provides high capacity and resistance to freeze-up.
- O-ring on retainer assembly provides a dampening effect to reduce vibration.
- Suitable for both liquid and vapor service.
- Can be readily fitted with pressure gauge in 1/4" F. NPT port.
- Temperature Range: -40°F to +165°F

Materials

Body Forged Aluminum
 Bonnet Die Cast Aluminum
 Spring Steel
 Valve Seat Discs Resilient Rubber
 Diaphragms Integrated Fabric and Synthetic Rubber



1580V™



Ordering Information

Part Number	Service	Adjustment Method	Inlet & Outlet Connections	Recommended Delivery Pressure Range (PSIG)	A Width	B Height (max.)	Capacity Determined at Set Pressure of PSIG*	Vapor Capacity BTU/hr Propane**
1584VN	LP-Gas	Tee Handle	1/2" F. NPT	3 to 30 PSIG (0.2 to 2.0 bar)	215/16"	4 7/8"	20 PSIG (1.4 bar)	7,000,000 BTU/hr (148 KG/hr)
1584VL				25 to 50 PSIG (1.7 to 3.4 bar)			30 PSIG (2.0 bar)	7,500,000 BTU/hr (158 KG/hr)
1584VH				45 to 125 PSIG (3.1 to 8.6 bar)			60 PSIG (4.1 bar)	8,000,000 BTU/hr (169 KG/hr)
1586VN	LP-Gas	Tee Handle	3/4" F. NPT	3 to 30 PSIG (0.2 to 2.0 bar)	3 1/2"	7"	20 PSIG (1.4 bar)	11,000,000 BTU/hr (232 KG/hr)
1586VL				25 to 50 PSIG (1.7 to 3.4 bar)			30 PSIG (2.0 bar)	12,000,000 BTU/hr (253 KG/hr)
1586VH				45 to 125 PSIG (3.1 to 8.6 bar)			60 PSIG (4.1 bar)	14,000,000 BTU/hr (295 KG/hr)
1588VN	LP-Gas	Tee Handle	1" F. NPT	3 to 30 PSIG (0.2 to 2.0 bar)	3 1/2"	7"	20 PSIG (1.4 bar)	11,000,000 BTU/hr (232 KG/hr)
1588VL				25 to 50 PSIG (1.7 to 3.4 bar)			30 PSIG (2.0 bar)	12,000,000 BTU/hr (253 KG/hr)
1588VH				45 to 125 PSIG (3.1 to 8.6 bar)			60 PSIG (4.1 bar)	14,000,000 BTU/hr (295 KG/hr)

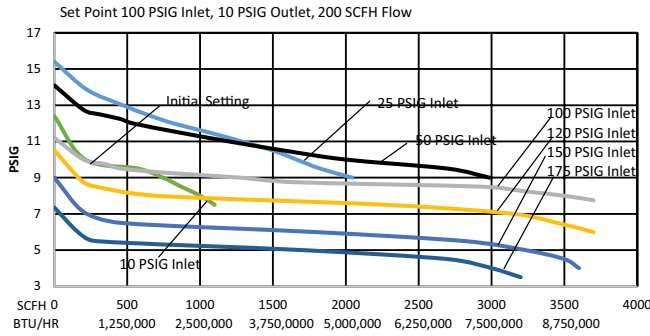
*Set pressure is established with 100 PSIG(6.9 BARG) inlet pressure and a flow of 500,000 BTU/hr.

**Capacity determined at 100 PSIG inlet, set pressure noted on chart at 20% drop.

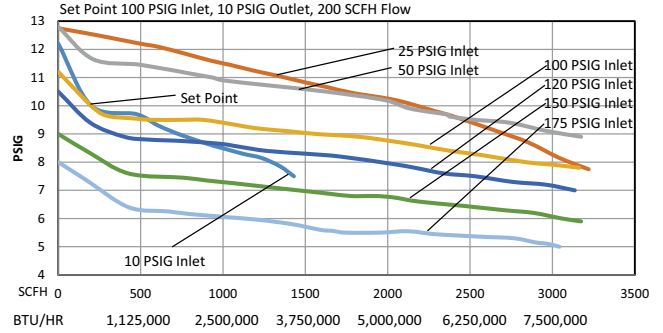
NOTE: Care must be taken to prevent re-liquefaction of propane at normal temperatures by heat tracing or other effective means. Use of a relief valve upstream or downstream of these regulators is recommended in accordance with NFPA 58.

High Pressure Industrial / Commercial Pounds-to-Pounds Regulators 1580V™, X1580V™ and AA1580V™ Series

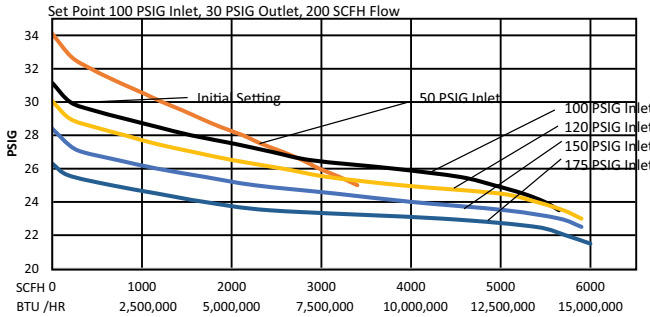
1584™/X1584VN™



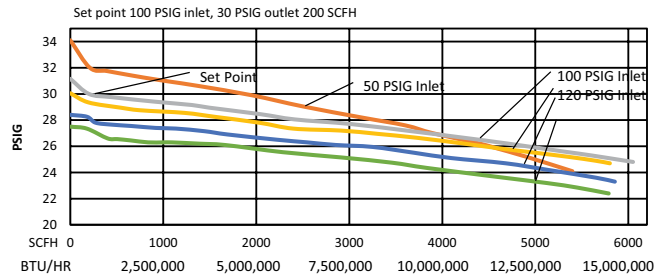
1586™/X1586™/1588VN™



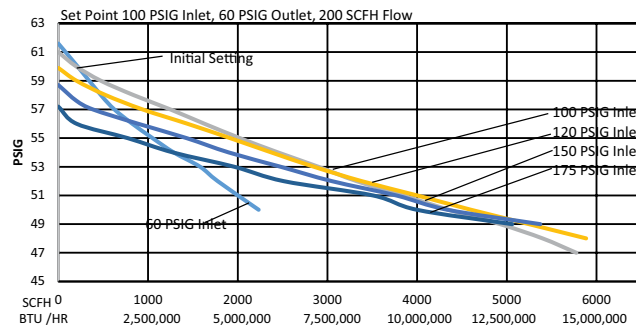
1584™/X1584VL™



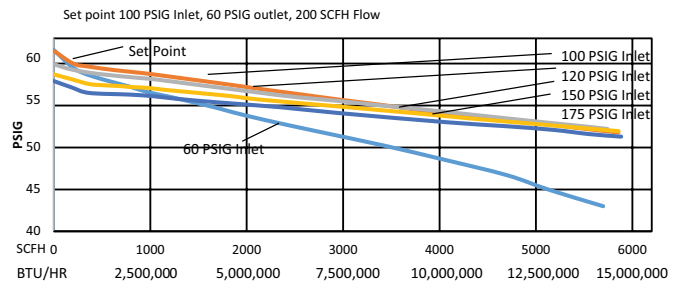
1586™/X1586™/1588VL™



1584™/X1584VH™



1586™/X1586™/1588VH™



1584, X1584VN, 1586, X1586, 1588VN, X1584VL, 1586, X1586, 1588VL, X1584VH, X1586 and 1588VH are Trademarks of ECI LLC.

High Pressure / High Temperature Industrial / Commercial Pounds-to-Pounds Regulators X1584V™, X1586V™, and X1588V™ Series

Application

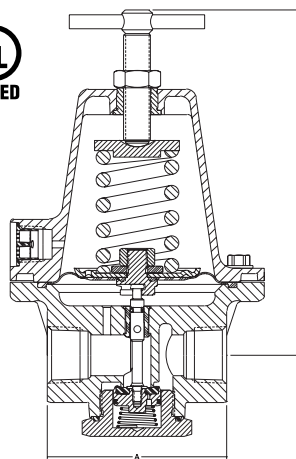
Designed to reduce LP-Gas container pressures to between 3 and 50 PSIG. Ideal for crop drying, heat treating, asphalt batch mixing and other large industrial and commercial load application utilizing high temperature LP-Gas or high temperature atmosphere under conditions up to 300°F. Also ideal as a first stage regulator in large multiple operations.

Features

- Special diaphragm and seat materials are suitable for up to 300°F. temperatures.
- Large nozzle and straight through flow provides high capacity and resistance to freeze ups.
- Suitable for both liquid and vapor service.
- Can be fitted with high pressure gauge in ¼" F. NPT port. RegO recommends that these gauges use silver braze rather than soft solder construction.
- Temperature Range: -40°F to +300°F

Materials

Body Forged Aluminum
 Bonnet Die Cast Aluminum
 Spring Stainless Steel
 Diaphragms Integrated Fabric and Synthetic Rubber
 Seat Discs High Temperature Resilient Composition
 Backup Seal High Temperature Resilient Composition



X1584™



Ordering Information

Part Number	Service	Adjustment Method	Width	Height	Inlet & Outlet Connections	Adjustment Range	Capacity Determined at Set Pressure of PSIG*	Vapor Capacity BTU/hr Propane**
X1584VN	LP-Gas	Tee Handle	2 7/8"	8 5/8"	½" F. NPT	3 to 30 PSIG (0.2 to 2.0 bar)	20 PSIG (1.37 bar)	7,000,000 BTU/hr (148 KG/hr)
X1584VL						25 to 50 PSIG (1.7 to 3.4 bar)	30 PSIG (2.06 bar)	7,500,000 BTU/hr (158 KG/hr)
X1584VH						45 to 125 PSIG (3.1 to 8.6 bar)	60 PSIG (4.1 bar)	8,000,000 BTU/hr (169 KG/hr)
X1586VN			3 5/16"	6 7/8"	¾" F. NPT	3 to 30 PSIG (0.2 to 2.0 bar)	20 PSIG (1.37 bar)	11,000,000 BTU/hr (232 KG/hr)
X1586VL						25 to 50 PSIG (1.7 to 3.4 bar)	30 PSIG (2.06 bar)	12,000,000 BTU/hr (253 KG/hr)
X1586VH						45 to 125 PSIG (3.1 to 8.6 bar)	60 PSIG (4.1 bar)	14,000,000 BTU/hr (295 KG/hr)
X1588VN					1" F. NPT	3 to 30 PSIG (0.2 to 2.0 bar)	20 PSIG (1.37 bar)	11,000,000 BTU/hr (232 KG/hr)
X1588VL						25 to 50 PSIG (1.7 to 3.4 bar)	30 PSIG (2.06 bar)	12,000,000 BTU/hr (253 KG/hr)
X1588VH						45 to 125 PSIG (3.1 to 8.6 bar)	60 PSIG (4.1 bar)	14,000,000 BTU/hr (295 KG/hr)

* Set pressure is established with 100 PSIG (6.89 BARG) inlet pressure and a flow of 500,000 BTU/hr. propane.

** Capacity determined at 100 PSIG (6.89 BARG) inlet, set pressure noted on chart at 20% drop.

NOTE: Care must be taken to prevent re-liquefaction of propane at normal temperatures by heat tracing or other effective means. Use of a relief valve upstream or downstream of these regulators is recommended in accordance with NFPA 58.

Vapor Relief Valves 3139 Series

Application

Designed for use as a relief valve on high pressure regulators to comply with NFPA 58 2024 5.10.1.10 "High-pressure regulators with a rated capacity of more than 500,000 BTU/hr where permitted to be used on two stage systems shall incorporate an integral relief valve or shall have a separate relief valve."

Features

- Pop-action design keeps product loss to a minimum.
- Suitable for use downstream of 1580™ series regulators on vapor systems to comply with NFPA 58 requirements.
- Install a tee downstream from the regulator outlet to ensure maximum flow from the relief valve.
- Brass body and seat disc assembly.
- Temperature Range: -40°F to +165°F



3139-18 3139-26 3139-38



Ordering Information

Part Number	Set Pressure	Set Pressure	Regulator Settings	Connection Size	Height	Width	Flow Capacity at 120% of Set Pressure (SCFH Propane)	Pipe Away Adapter
3139-18	18 PSIG	1.24 BARG	10 PSIG (0.69 bar)	1/4" M. NPT	2 27/32"	1 1/16"	1357*	B-009412-2B
3139-26	26 PSIG	1.79 BARG	15 PSIG (1.03 bar)				1725**	
3139-38	38 PSIG	2.62 BARG	20 PSIG (1.38 bar)				2304***	

* Flow recorded at 21.6 PSIG (1.49 BARG) inlet pressure for this valve.

** Flow recorded at 31.2 PSIG (2.15 BARG) inlet pressure for this valve.

*** Flow recorded at 45.6 PSIG (3.14) inlet pressure for this valve.

Brackets

RegO Brackets are especially designed for use in installing RegO Regulators in applications requiring the use of a bracket.

Part Number	Material	For Use With Regulator Model:
3403-31*	Cadmium Plated Steel	LV3403, LV404B34, LV404B39, LV404Y39
2503-22	Aluminum	LV404B4 LV404B9, LV404Y9 Series, LV5503 Series LV4403 Series
2503-19	Aluminum	

* Includes two screws for installation into the regulator body.



2503-19

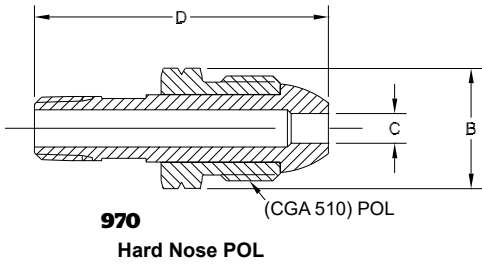


2503-22



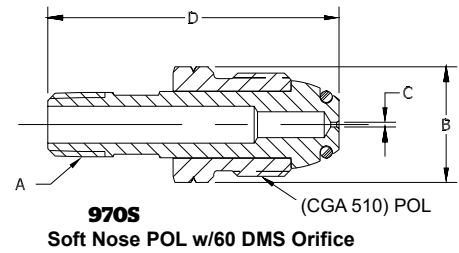
3403-31

POL Adapters

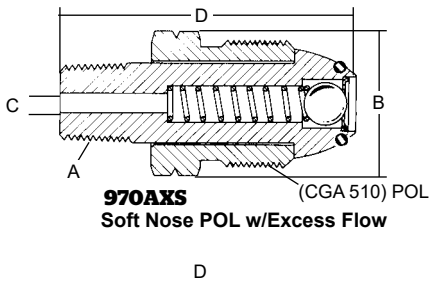


970
Hard Nose POL

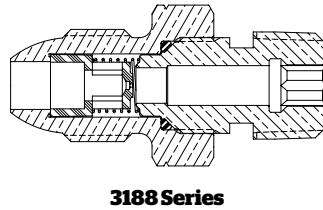
REGO
10
YEAR
WARRANTY



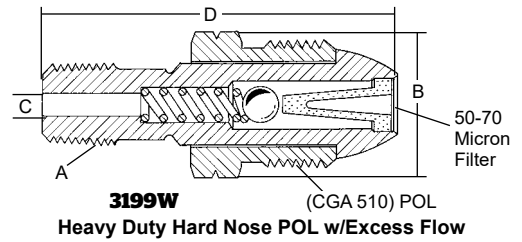
970S
Soft Nose POL w/60 DMS Orifice



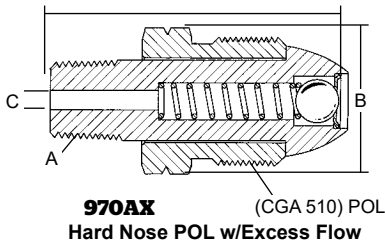
970AXS
Soft Nose POL w/Excess Flow



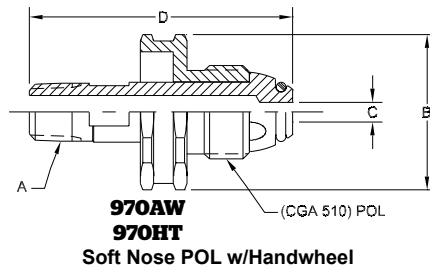
3188 Series



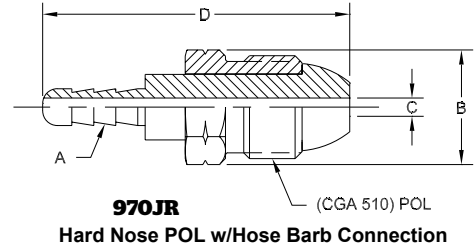
3199W
Heavy Duty Hard Nose POL w/Excess Flow



970AX
Hard Nose POL w/Excess Flow



970AW
970HT
Soft Nose POL w/Handwheel



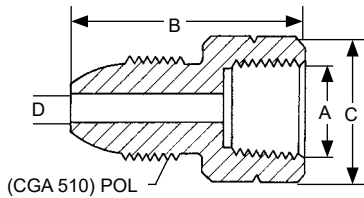
970JR
Hard Nose POL w/Hose Barb Connection

Ordering Information

Part Number	Material	A Outlet Thread	B Hex	C Drill	D Overall Length	Vapor at 100 PSIG Inlet (SCFH)	Liquid (GPM)
970	Brass	1/4" M. NPT	7/8"	1/4"	215/32"	-	-
970S				.040" orifice			
970AS				0.188" orifice			
970AX				1/8"			
970AXS				5/32"			
3199W				5/32"			
970AW		1 3/8"	3/16"	215/32"	-	-	
970HT							.040" orifice
970JR		1/4" Hose Barb	7/8"	5/32"	2 5/8"	-	-
3188B		1/2" M. NPT	1 1/8"	9/32"	2 1/2"	700	1.9
3188C	1180					2.9	

Note: All nipples incorporate wrench hex section.

POL Adapters

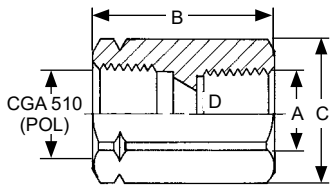


Male POL x Female NPT



Ordering Information

Part Number	Material	A FNPT	B	C Hex	D Diameter
2906A	Brass	1/4"	1 1/32"	7/8"	9/32"
2906G		1/2"	2"	1 1/8"	



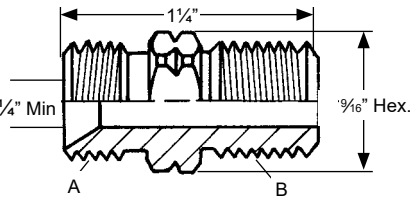
Female POL x Female NPT and Female POL

Ordering Information

Part Number	Material	A	B	C Hex	D Diameter
5760A	Brass	1/4" F.NPT	1 5/8"	1 1/8"	13/32"
5760B		3/8" F.NPT			
5760C		1/2" F.NPT	7/16"		
5760D		3/4" F.NPT			
5760S	POL (CGA 510)	2 1/8"	1 1/8"	13/32"	

Hose Adapter

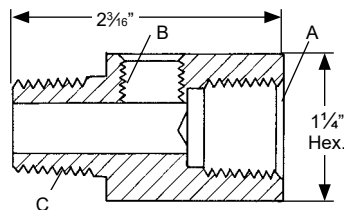
For use with fuel gases (LP-Gas, 1/4" Min Acetylene).



Ordering Information

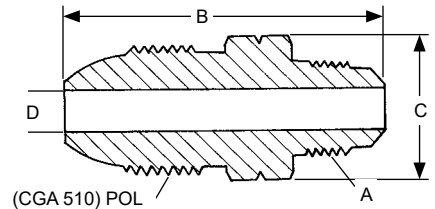
Part Number	Material	A	B
1300	Brass	5/16"-18UNF (L.H.)	1/4" M. NPT

Pressure Gauge Adapter



Ordering Information

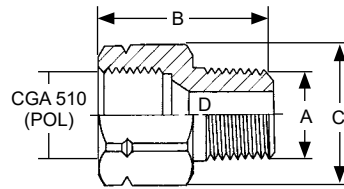
Part Number	Material	A	B	C
1494-1	Brass	1/2" F. NPT	1/4" F. NPT	1/2" M. NPT



Male POL x Male NPT and SAE Flare

Ordering Information

Part Number	Material	A	B	C Hex	D Diameter
2906D	Brass	3/8" M. NPT	2 5/64"	7/8"	1 1/32"
2906F		3/8" SAE Flare	2 1/32"		
2906E		1/2" SAE Flare	2 9/32"	9/32"	



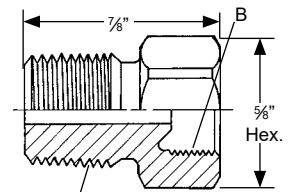
Female POL x Male NPT

Ordering Information

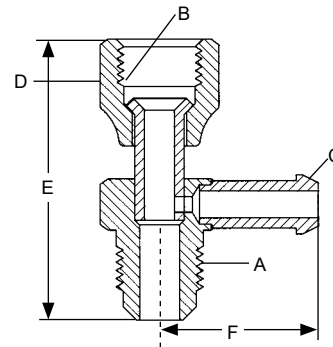
Part Number	Material	A	B	C Hex	D Diameter
5761A	Brass	1/4" M.NPT	1 5/8"	1 1/8"	3/16"
5761B		3/8" M.NPT			13/32"
5761C		1/2" M.NPT			7/16"
5761D		3/4" M.NPT			7/16"

Ordering Information

Part Number	Material	A	B
15774-1	Brass	1/4" M. NPT	1/4" Female Inverted Flare



Female Inverted Flare x Male NPT



Ordering Information

Part Number	Material	A	B	C	D	E	F
1328	Brass	3/8" SAE Male Flare	3/8" SAE Female Flare	3/8"	13/16"	2"	1 1/8"
1331		1/2" SAE Male Flare	1/2" SAE Female Flare	Hose Barb	1"	2 1/8"	1 1/4"
1332		5/8" SAE Male Flare	5/8" SAE Female Flare		1 1/8"	2 1/2"	

Copper Pigtails 912 and 913 Series

Pigtails are available in a variety of connections, sizes and styles. Care should always be taken in selecting the proper pigtail for a particular application.



D912

Note: RegO recommends a new pigtail be installed with every new and replaced regulator.



913PS12

Straight Pigtails Ordering Information

Connections	Approximate Length	Part Number		
		¼" Tube		¾" Tube
		⅝" Hex Short Nipple	1½" Hex Long Nipple	⅝" Hex Short Nipple
M.POL x M.POL	5"	-	-	913PS05
	8"	-	-	-
	10"	-	-	-
	12"	912PS12	-	913PS12
	20"	912PS20	912PA20	913PS20
	30"	-	-	913PS30
	36"	912PS36	912PA36	913PS36
	48"	912PS48	912PA48	913PS48
¼" Inverted Flare x M.POL	60"	-	-	-
	12"	912FS12	-	-
	15"	-	-	-
	20"	912FS20	912FA20	-
	30"	912FS30	-	-
	36"	912FS36	-	-
¼" M.NPT x M.POL	40"	-	-	-
	48"	-	-	-
	5"	-	-	913JS05
	12"	912JS12	-	913JS12
	20"	912JS20	912JA20	913JS20
½" M.NPT x M.POL	30"	-	-	-
	36"	912JS36	-	-
	12"	-	-	913LS12
½" M.NPT x ⅝" M.NPT	12"	-	-	913KL12

Dielectric Pigtails Ordering Information

Connections	Approximate Length	Part Number	
		¼" Tube	¾" Tube
		⅝" Hex Short Nipple	⅝" Hex Short Nipple
M.POL x M.POL	12"	D912P12	D913P12
	20"	D912P20	D913P20
	30"	D912P30	D913P30
	36"	-	-
¼" M.NPT x M.POL	48"	-	-
	12"	D912J12	-
	20"	D912J20	-
	30"	D912J30	-



Presto-Tap® Pigtails Ordering Information *

Connections	Approximate Length	Part Number	
		¼" Tube	¾" Tube
		⅝" Hex Short Nipple	⅝" Hex Short Nipple
M.POL x M.POL	12"	PT912PS12	PT913PS12
	20"	PT912PS20	-
	48"	PT912PS48	-
¼" Inverted Flare x M.POL	20"	-	-
¼" M.NPT x M.POL	12"	PT912JS12	-
	20"	PT912JS20	-

*Presto-Tap Fittings come with an 18 Month Warranty



913PS12G



913PS12H

Bent Pigtails Ordering Information

Connections	Approximate Length	Part Number		Type/Degree of Bend
		¾" Tube		
		⅝" Hex Short Nipple		
¼" M. NPT x M. POL	5"	913JS05A		90°
M. POL x M. POL	12"	913PS05A		270° Right Hand 270° Left Hand
		913PS12G		
		913PS12H		

Features

- Heavy duty construction.
- Individually soldered connections to the copper tubing.
- Each pigtail is individually tested prior to shipment.
- Temperature Range: -40°F to +165°F

Materials

Tubing..... Copper
 Connection Brass

Accessories

Tee Check Manifolds

1350R and 1450R

For use in systems that require uninterrupted gas service during cylinder exchange. Especially for summer cottages, mobile homes and single appliance loads.

- Temperature Range: -40°F to +165°F

Part Number	Inlet Connections	Outlet Connection
1350R	F. POL	M. POL
1450R	¼" Inverted Flare	¼" M. NPT



1350R



1450R



1450E



1350E



Multiple Cylinder Manifolds

1350E and 1450E

Use with suitable pigtails to connect multiple cylinders together. Ideal for loads that require more than one cylinder to be in service at a time.

- Temperature Range: -40°F to +165°F

Part Number	Inlet Connections	Outlet Connection
1350E	F. POL	M. POL
1450E	¼" Inverted Flare	¼" M. NPT

Adjustable Flexible Vent Kit

Application

The LV960 Series Adjustable vent kit is designed to assist in meeting the point of discharge requirements for regulators in NFPA 58; it does this by diverting the LP-Gas vapor away from sources of ignition, openings to into direct vent appliances or mechanical air intakes. The Adjustable Vent Kit is supplied with two reusable end fittings installed on the flexible tubing, mounting bracket with self-tapping screw, 90 degree vent elbow and installation instructions.

Part Number	Flex Tubing Length	Reusable End Connectors	90° Elbow	Mounting Bracket
LV960-48	48" (4 feet)	2	1	3
LV960-72	72" (6 feet)			4
LV960-120	120" (10 feet)			5
LV960-80*	NA	NA		NA

*90° Elbow only



LV960



4403-30

Replacement Vent Screens

Part Number	Regulator Outlet Connection
4403-30	¾" F. NPT
2302-43	¾" F. NPT

Test Kits

Low Pressure Test Set

2434A Series

This kit provides the equipment necessary for checking regulator delivery pressure (low pressure) at the appliances. The basic set contains a 2424A-2 low pressure gauge and a 3 foot — 3/16" O.D. flexible synthetic rubber tube. Adapters are also available.

Part Number	Contents	Adapters	Adapter size
2434A	Test Kit	1328	¾" OD
		1331	½" OD
		1332	5/8" OD



2434A



1328 Adapter

Water Manometer Kit

1212 Kit

The water manometer kit is especially suited for use with low pressure LP-Gas systems. It is ideal for pressure checks downstream of the low pressure regulator and at the appliances.

Part Number	Description
1212 KIT	Flexible Tube Water Manometer Kit



1212 KIT

Accessories

High Pressure Gauge Adapter

2962

Designed for testing high pressure lines. Adapter has 0 to 300 PSIG (0 to 20.68 BARG) gauge. A bleeder valve allows you to bleed down to correct pressure during pressure tests.

- Temperature Range: -40°F to +165°F

Part Number	Inlet Connection	Outlet Connection	Pressure Gauge Range (PSIG)	Pressure Gauge Range (BARG)
2962	Soft Nose M. POL	F. POL	0 - 300	0 - 20.68



Adhesive Warning Labels

These adhesive warning labels are intended for application as close as possible to the LP-Gas regulator once the regulator has been installed.

Part Number	Description
LV4403-400	Adhesive Warning Label

DANGER
WARNING

LP-GAS IS EXTREMELY FLAMMABLE AND EXPLOSIVE

AVOID SERIOUS INJURY AND PROPERTY DAMAGE. IF YOU SEE, SMELL, OR HEAR ESCAPING GAS... EVACUATE AREA IMMEDIATELY! CALL YOUR LOCAL FIRE DEPARTMENT! DO NOT ATTEMPT TO REPAIR. DO NOT STORE IN BUILDING OR ENCLOSED AREA. DO NOT USE ON HOT AIR BALLOONS OR AIRCRAFT.

Insist that your LP-Gas dealer regularly inspect and maintain this installation and properly instruct you in safety matters.

Make sure ice, snow drifts, dirt, bugs and other foreign material do not obstruct vent passage-ways and openings. The vent opening must have a screen installed. If screen is missing, call your gas dealer for immediate examination and replacement.

DO NOT REMOVE, DEFACE OR OBLITERATE THIS LABEL.
DO NOT FILL CONTAINER UNLESS THIS LABEL IS READABLE.

ADDITIONAL SAFETY INFORMATION IS AVAILABLE FROM

ECI Engineer ed Contr ols
International, Inc.
100 RegO Drive PO Box 247 Elon College, NC 27244 USA Phone (336) 449-7707 Fax (336) 449-6594 www.regoproducts.com

Printed in U.S.A. 04-0994-1189
Part Number LV4403-400

LV4403-400

DANGER
READ THIS FIRST
WARNING

LP-GAS IS EXTREMELY FLAMMABLE AND EXPLOSIVE

AVOID SERIOUS INJURY AND PROPERTY DAMAGE. IF YOU SEE, SMELL OR HEAR ESCAPING GAS... EVACUATE AREA IMMEDIATELY! CALL YOUR LOCAL FIRE DEPARTMENT! DO NOT ATTEMPT TO REPAIR. DO NOT STORE IN BUILDING OR ENCLOSED AREA. DO NOT USE ON HOT AIR BALLOONS OR AIRCRAFT.

Make sure you are thoroughly trained before you attempt any regulator installation or maintenance. Improper conditions or procedures can cause accidents resulting in property damage and personal injury.

Become thoroughly familiar with NPGA Safety Pamphlet 306 "LP-Gas Regulator and Valve Inspections & Maintenance" and RegO Safety Warning "LP-Gas Regulators" found in the regulator section of the L-500 & L-102 Catalogs. Follow its recommendations.

Know and understand NFPA Pamphlet 58 "Liquefied Petroleum Gas Code", which is the law in many states. This publication is available from NFPA, Batterymarch Park, Quincy, MA 02269. Following its requirements is essential in the safe use of LP-Gas. Section 4.4 states: "Persons who transfer liquid LP-Gas, who are employed to transport LP-Gas, or whose primary duties fall within the scope of this code shall be trained in proper handling procedures. Refresher training shall be provided at least every three years and shall be documented."

Pamphlet 58 also states that "All regulators for outdoor installations, except regulators used for portable industrial applications, shall be designed, installed or protected so their operation will not be affected by the elements (freezing rain, sleet, snow, ice, mud or debris). This protection may be integral with the regulator."

Vents must be clear and fully open at all times. An obstructed vent will prevent the regulator from functioning properly and may result in property damage and personal injury.

Regulators should be installed with the vent facing down or otherwise covered for protection.

Twin-Stage Regulators should be installed completely under cover and/or with screened vent pipe away adapters that position both vents in a down position without obstructing flow through the vents.

Make sure piping is clean and free from foreign material (such as dirt, corrosion, chips, pipe joint compound, etc.) Always replace the gasket when replacing a regulator. Thread sealant used on piping must be compatible with LP-Gas.

Make sure the use and location of the regulator(s) as a component(s) of the LP-Gas system to be installed is proper. (Avoid missing LP-Gas equipment.) See the following RegO publications: L-500 & L-102 Catalogs and the LP-Gas Serviceman's manual.

For underground installations, make sure that water, mud, dirt, and insects cannot get into the regulator, and that the regulator is easily accessible for regulator maintenance. Follow NPGA Bulletin 401. See RegO Safety Warning "LP-Gas Regulators" found in the regulator section of the L-500 & L-102 Catalogs.

Check regulator and installation for leaks following NFPA #54 and NPGA Bulletin 403 "Pressure Testing and Leak Checking LP-Gas Piping Systems".

In selecting a label for posting at the installation site, consider RegO part number 2403-400 along with your own, NPGA's and others.

Remember to instruct the owner/user/customer in safety matters concerning LP-Gas and this equipment. See RegO Safety Warning "LP-Gas Regulators" found in the regulator section of the L-500 & L-102 Catalogs.

RegO requests that this information be forwarded to your customers. Additional copies are available from RegO and your authorized RegO Distributor.

REGO
Elon, N.C. 27244 U.S.A. Phone (336) 449-7707 Fax (336) 449-6594 www.regoproducts.com

Printed in USA 08A-0910-0390
Part number LV4403-500

LV4403-500

Warning Notice

The following warning information, Part Number LV4403-500, is included with each shipment of regulators to the first purchaser of the product from the factory.

This information is intended to be forwarded throughout the product distribution chain. Additional copies are available from RegO and Authorized Product Distributors.

Section B
Cylinder and Service Valves

B

RegO Limited Express Warranty and Limitation of Liability

10-YEAR LIMITED EXPRESS WARRANTY

NOTICE

Failure to install parts exactly as described in the instructions could result in a product that will not perform properly or satisfactorily. Even if parts are correctly installed, the product might fail to perform properly or satisfactorily if other parts are worn, corroded or dirty. Improper repair can cause leaks and malfunction, which could result in significant bodily injury, including death and/or property damage. Any such use or installation of parts must ONLY be done by experienced and properly trained personnel using accepted governmental and industrial safety procedures. Engineered Controls International, LLC ("RegO") assumes no responsibility or liability for performance of products repaired in the field. It must be clearly understood that the person or organization repairing any product(s) in the field assumes total responsibility for the safe and proper performance of the product.

WARNING

All RegO products are mechanical devices that will eventually become inoperative due to wear, corrosion and aging of components made of materials such as rubber, plastic, etc. The environment and conditions of use will determine the safe service life of these products. Periodic inspection and maintenance are essential to avoid serious injury and property damage. Many RegO products are manufactured components which are incorporated by others on or in other products or systems used for storage, transport, transfer and otherwise for use of toxic, flammable and dangerous liquids and gases. Such substances must be handled by experienced and trained personnel only, using accepted governmental and industrial safety procedures.

LP-Gas is a highly explosive and flammable gas that should never be vented near a possible ignition source.

10-YEAR LIMITED EXPRESS WARRANTY

RegO warrants products and repair kits manufactured by it (other than its Presto-Link and Presto-Tap products) to be free from defects in materials and workmanship under normal use and service for a period of 10 years from the date of manufacture. If within 30 days after buyer's discovery of what buyer believes is a defect, buyer notifies RegO thereof in writing and ships the product (at buyer's expense) to RegO at 100 RegO Drive, Elon, N.C. 27244, RegO, at its option, and within 45 days, will repair, replace F.O.B. point of manufacture, or refund the purchase price of that part or product found by it to be defective. Failure of buyer to give such written notice and return the product within 30 days shall be deemed an absolute and unconditional waiver of any and all claims of buyer arising out of such defect. This limited express warranty does not extend to any product or part that is not installed and used continuously after installation in accordance with RegO's printed instructions, all applicable state and local regulations, and all applicable national standards, such as those promulgated by NFPA, DOT and ANSI. This limited express warranty does not extend to any product or part that has been damaged by accident, misuse, abuse, failure to maintain or neglect, nor does it extend to any product or part which has been modified, altered, disassembled or repaired in the field. This limited express warranty does not cover any cosmetic issues, such as scratches, dents, marring, fading of colors or discoloration.

EXCEPT AS EXPRESSLY SET FORTH ABOVE, AND SUBJECT TO THE LIMITATION OF LIABILITY BELOW, REGO MAKES NO OTHER WARRANTY, AND EXPRESSLY DISCLAIMS, ANY EXPRESS OR IMPLIED WARRANTIES, INCLUDING BUT NOT LIMITED TO THE IMPLIED WARRANTIES OF MERCHANTABILITY AND FITNESS FOR A PARTICULAR PURPOSE AND AGAINST HIDDEN OR LATENT DEFECTS, WITH RESPECT TO ITS PRODUCTS AND PARTS, WHETHER USED ALONE OR IN A COMBINATION WITH OTHERS. REGO DISCLAIMS ALL WARRANTIES NOT STATED HEREIN.

This limited express warranty is given by Engineered Controls International, LLC, of 100 RegO Drive Elon, N.C. 27244 USA, (336) 449-7707.

LIMITATION OF LIABILITY

RegO total liability for any and all losses and damages arising out of any cause whatsoever shall in no event exceed the purchase price of the products or parts in respect of which such a cause arises, whether such cause be based on theories of contract, negligence, strict liability, tort or otherwise. RegO shall not be liable for incidental, consequential or punitive damages or other losses. RegO shall not be liable for, and buyer assumes liability for all personal injury and property damage connected with the handling, transportation, possession, further manufacture, other use or resale of products, whether used alone or in combination with any other products or material. From time to time buyers might call to ask RegO for technical advice based upon limited facts disclosed to RegO. If RegO furnishes technical advice to buyer, whether at buyer's request, with respect to application, further manufacture or other use of the products and parts, RegO shall not be liable for such technical advice provided to buyer by any third party and buyer assumes all risk of such advice and the results thereof.

NOTE:

Some states do not allow the exclusion or limitation of incidental, consequential or punitive damages, so the above limitation or exclusion may not apply to you. This warranty gives you specific legal rights, and you may have other rights that vary from state to state. The portions of this limited express warranty and limitation of liability shall be considered severable and all portions which are not disallowed by applicable law shall remain in full force and effect. The benefits given by the limited express warranty above are in addition to any other rights and remedies to which you may be entitled by law.

NOTE TO AUSTRALIAN PURCHASERS:

The following applies if you purchased this product as a "consumer" as defined in the Australian Consumer Law. Our goods come with guarantees that cannot be excluded under the Australian Consumer Law. You are entitled to a replacement or refund for a major failure and compensation for any other reasonably foreseeable loss or damage. You are also entitled to have the goods repaired or replaced if the goods fail to be of acceptable quality and the failure does not amount to a major failure. Information regarding how to return a product and make a claim under this limited express warranty is set forth below. Nothing in this document purports to modify or exclude your rights if any under the Australian Consumer Law, or other laws which cannot be lawfully be modified or excluded.

NOTICE TO USERS OF PRODUCTS

The limited express warranty stated above is a factory warranty to the first purchasers of RegO products. Since most users have purchased these products from RegO distributors, to make a claim under this limited express warranty the user must, within 30 days after the user's discovery of what the user believes is a defect, notify in writing the distributor from whom he purchased the product or parts, and return the product or parts (at the user's expense) to that distributor. The distributor may or may not at the distributor's option, choose to submit the product or parts to RegO, pursuant to its limited express warranty. Failure by buyer to give such written notice within 30 days shall be deemed an absolute and unconditional waiver of buyer's claim for such defects. Acceptance of any alleged defective product or parts by RegO distributor for replacement or repairs under terms of RegO limited express warranty in no way obligates RegO to the terms of the above warranty. Because of a policy of continuous product improvement, RegO reserves the right to change designs, materials or specification without notice.

Except as expressly set out above, RegO makes no warranties in relation to RegO products and RegO's liability in respect of any allegedly defective product is limited to the cost of replacing or repairing the product.

100 RegO Drive, Elon, N.C. 27244 U.S.A. Phone +1 (336) 449-7707
Fax (336) 449-6594 www.regoproducts.com RegO is a registered trademark of Engineered Controls International, LLC.

Foreword

This catalog describes a complete line of equipment available from RegO® for use with Liquid Propane (LP)-Gas and anhydrous ammonia (NH₃). The following points are important to know for proper use of the catalog:

1. Illustrations and drawings of individual products are representative of “product groups” and all products within a product group are similar in construction.
2. Materials used for construction of products in this catalog are suitable for rated service pressure at temperatures of -40°F to +165°F, unless otherwise specified.
3. Products in this catalog are only intended for use in LP-Gas and/or anhydrous ammonia service as follows.
 - a. “A” or “AA” prefix — Products with this prefix are suitable for NH₃ service (i.e., contain no brass parts).
 - b. “AA” prefix on relief valves — These valves are NOT suitable for use with LP-Gas service. These are of partial aluminum materials and are listed by Underwriters Laboratories (UL) for NH₃ service only.
 - c. All other products including “A” prefix are suitable for use with LP-Gas & NH₃ service.
 - d. “SS” prefix—Hydrostatic relief valve with this prefix are suitable for NH₃ and LP-Gas service (i.e., they have stainless steel materials).
4. We manufacture valves and adapters designed to be used on LP-Gas and Anhydrous Ammonia systems, we do not design systems or consult in system design. For this type of information consult a professional Engineer.

Caution

Do not use any product contained in this catalog with any service commodity other than LP-Gas or NH₃. If you have a need for use of another application, contact RegO, 100 RegO Drive, Elon, NC 27244, (336) 449-7707 ecii@regoproducts.com before proceeding.

Proper application, installation and maintenance of products in this catalog are essential. Users of these products should obtain further information if there are any doubts or questions.

Warning

All RegO products are mechanical devices that will eventually become inoperative due to wear, corrosion and aging of components made of materials such as rubber. The environment and conditions of use will determine the safe service life of these products. Periodic inspection and maintenance are essential to avoid serious injury and property damage.

Many RegO products are manufactured for storage, transport, transfer and use of toxic flammable and dangerous liquids and gases. Such substances should be handled by experienced and trained personnel only, using accepted governmental and industrial safety procedures. Never vent LP-Gas near any possible source of ignition.

Notice

Installation, usage, and maintenance of all RegO products must be in compliance with all RegO instructions as well as requirements and provisions of NFPA #54, NFPA#58, DOT, ANSI, and all applicable federal, state, provincial and local standards, codes, regulations, and laws.

Inspection and maintenance on a periodic basis is essential. Installation and maintenance should be performed only by qualified personnel.

Be sure all instructions are read and understood before installation, operation and service.

Filters

RegO LP-Gas equipment is designed to operate in a system free from contamination. A variety of in-line filters are commercially available to the LP-Gas industry for installation in domestic systems.

The use of an in-line filter should be considered when other system components may be unclean and the system contaminated by rust, scale, dirt, debris or other foreign material.

LP-Gas Cylinder and Service Valves

Safety Warnings



Purpose

In its continuing quest for safety, RegO publishes a series of bulletins explaining the hazards associated with the use, misuse, and aging of LP-Gas valves and regulators. It is hoped that these factual bulletins will make clear to LP-Gas dealer managers and service personnel, that the utmost care and attention must be used in the installation, inspection, and maintenance of these products, or problems could occur which would result in injuries and property damage.

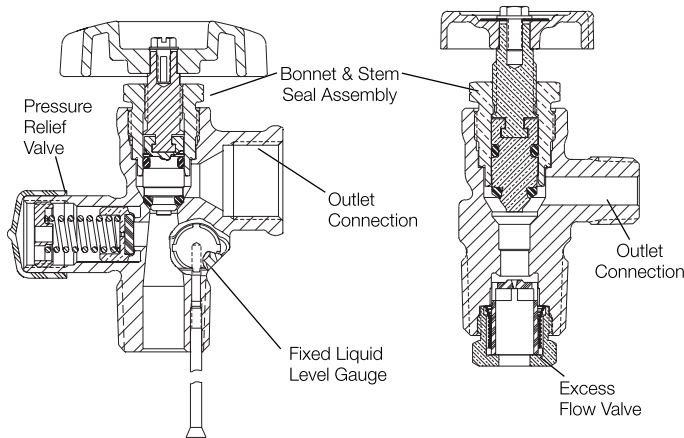
The National Fire Protection Association NFPA 58 Liquefied Petroleum Gas Code - 2024 Edition states in Section 4.4 Qualification of Personnel; "Persons whose duties fall within the scope of this code shall be provided with training that is consistent with the scope of their job activities and that includes proper handling and emergency response procedures... Refresher training shall be provided at least every 3 years, initial and subsequent training shall be documented". These "RegO Safety Warnings" may be useful in training new employees and reminding older employees of hazards that can occur. It is recommended that all employees complete the Propane Education Research Council's Certified Employee Training Program.

Nature of Warnings

It is recognized that warnings should be as brief as possible, but the factors involved in cylinder valve failure are many because of the multiple functions the valve serves. If there is any simple warning, it would be:

Check cylinder valves for leaking components every time cylinders are filled.

The bulletin is not intended to be an exhaustive treatment of the subject of cylinder valves and certainly does not cover all safety practices that should be followed in installation, operation and maintenance of LP-Gas systems which include cylinder valves.



LP-Gas Cylinder Valves

These valves are mounted in DOT cylinders, and are intended to provide one or more of the following functions:

1. Vapor service shut-off
2. Liquid service shut-off (with excess flow valve)
3. Liquid filling
4. Pressure relief
5. Fixed liquid level gauge

These functions, although simple, are extremely critical in the safe operation of an LP-Gas cylinder system.

Abuse of these valves, failure to follow a good installation and maintenance program and attempting to use cylinder valves beyond their normal service life can result in extremely hazardous conditions.

Important Factors:

1. Installation: It should not be necessary to remind the readers that cylinder valves must be installed and used in strict conformance with NFPA Pamphlet 58, and all other applicable codes and regulations. Codes, regulations and manufacturers' recommendations have been developed by experts with many years of experience in the LP-Gas industry in the interest of safety for users of LP-Gas and all personnel servicing LP-Gas systems. Failure to fully follow these codes, regulations and recommendations could result in hazardous installations.

2. The bonnet and stem seal assembly of a cylinder valve are extremely critical, since any malfunction could cause external leakage and spillage. Check bonnet to see that it is in proper position. If there is any doubt about tightness of threaded connection between bonnet and body, valve must be repaired in accordance with manufacturers' repair instructions before cylinder is filled. Handwheel must be in good condition, stem threads must not be worn or damaged and bonnet must be properly assembled. This area should be examined each time the cylinder is filled. A leakage test should be conducted while the shut-off valve is in the open position during filling.

3. The cylinder outlet connection is usually a female POL. Threads must be free of dents, gouges and any indication of excessive wear. Seating surface inside this connection must be smooth and free of nicks and scratches to ensure a gas tight seal when connected to a male POL cylinder adapter. Cylinder adapter must spin on freely all the way, without indication of drag, roughness or excessive looseness, and must then be tightened with a wrench. Connection must be checked for leakage.

4. The pressure relief valve is of critical importance: Its proper operation is vital in avoiding excessive pressures during emergencies, such as overfilling or exposure to excessive heat. No repair of this device is allowable. Relief valve should be visually inspected and checked for leaks each time the cylinder is returned for filling. All flow passages must be clean and free of foreign material.

LP-Gas Cylinder and Service Valves

Entire assembly must be free of dents, distortion or other indications of damage. If relief valve appears too contaminated or damaged, the cylinder valve must be replaced. (Caution: Eye protection must be used when examining relief valves under pressure.)

5. The liquid service shut-off valve, with excess flow valve provided on some cylinder valves, is also of critical importance. The excess flow valve must be periodically tested for proper performance, in addition to the inspection of the shut-off valve.

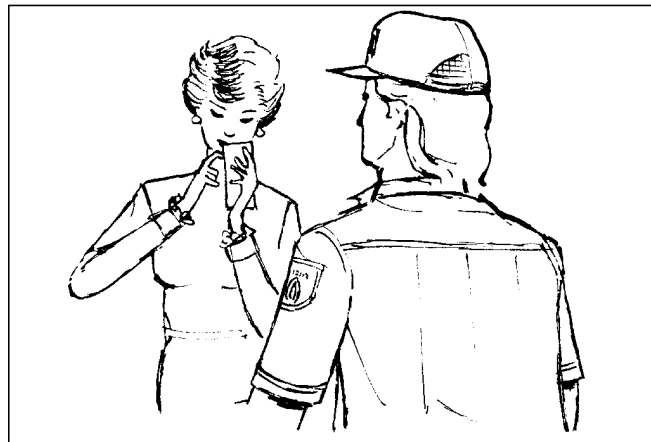
6. The fixed liquid level gauge on a cylinder valve is, when present, essential to prevent overfilling the cylinder. The gauging valve must operate freely, venting vapor when loosened, and sealing gas-tight easily when tightened with the fingers. Gauge valves meant for use with a socket key or screwdriver must also seal easily without excessive torque. The fixed liquid level gauge diptube must be of the proper length, and be in proper position. Periodic test should be conducted by weighing the cylinder after filling, to determine that it does not contain more than the allowable amount of LP-Gas. This check should be done periodically, and any time there is suspicion that the gauge diptube may be damaged or broken.

Do Not Overfill Cylinders

Do not fill a cylinder without first repairing or replacing the cylinder valve, as required, if any defect is noted.

While not required by codes, it is recommended that a plug or suitable protection be inserted in the POL outlet of the cylinder valve at all times except during filling and while connected for use. This will guard against discharge of gas should the handwheel be inadvertently opened while the cylinder is in storage or transit. This is highly advisable for small cylinders that could be transported inside an automobile or trunk. It is important that proper wrenches and adapters be used when filling, servicing and installing cylinder valves in order to avoid damage to the valve or associated piping.

Since cylinders are often used by consumers without previous knowledge of the hazards of LP-Gases and the LP-Gas dealers are the only ones who have direct contact with the consumers, **it is the dealers' responsibility to make sure that his customers are properly instructed in safety matters relating to their installation.**



At the very minimum, it is desirable that these customers:

1. Know the odor of LP-Gas and what to do in case they smell gas. Use of the NPGA "Scratch 'n Sniff" leaflet could be productive.
2. Are instructed never to tamper with the system.
3. Know that when protective hoods are used to enclose regulators and/or valves, that these hoods must be closed, but not locked.
4. Know the location of the cylinder shut-off valve in emergencies.

General Warning

All RegO Products are mechanical devices that will eventually become inoperative due to wear, contaminants, corrosion and aging of components made of materials such as metal and rubber.

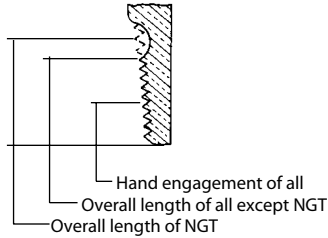
The environment and conditions of use will determine the safe service life of these products. Periodic inspection and maintenance are essential. Because RegO Products have a long and proven record of quality and service, LP-Gas dealers may forget the hazards that can occur because a cylinder valve is used beyond its safe service life. Life of a cylinder valve is determined by the environment in which it "lives". The LP-Gas dealers know better than anyone what this environment is. NOTE: There is a developing trend in state legislation and in proposed national legislation to make the owners of products responsible for replacing products before they reach the end of their safe useful life. LP-Gas dealers should be aware of legislation which could affect them.

Thread Specifications

Cylinder Valve Threads

Because of the many thread forms available on equipment used in the LP-Gas industry today, the maze of letters, numbers and symbols which make up various thread specifications becomes confusing. To help eliminate some of this confusion, a brief explanation of some of the more widely used thread specifications is shown below.

Inlet Connections



NGT and NPT Threads

The NGT (National Gas Taper) thread is the commonly used valve-to-cylinder connection. The male thread on the valve has about two more threads at the large end than the NPT in order to provide additional fresh threads if further tightening is necessary. Additionally, the standard $\frac{3}{4}$ " NGT valve inlet provides the greater tightness at the bottom of the valve by making the valve threads slightly straighter than the standard taper of $\frac{3}{4}$ " per foot in NPT connections. In all other respects NPT and NGT threads are similar.

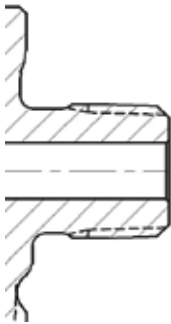
Outlet Connections

CGA Outlets

The CGA (Compressed Gas Association) outlets are standard for use with various compressed gases. The relation of one of these outlets to another is fixed so as to minimize undesirable connections. They have been designed to prevent the interchange of connections which may result in a hazard.

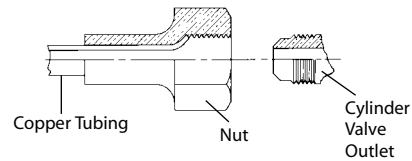
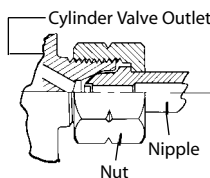
$\frac{3}{8}$ "-18 NPT Thread Connection

This connection is also used for vapor or liquid withdrawal. It has a $\frac{3}{8}$ " diameter thread, and 18 threads per inch, National Pipe Taper Outlet form.



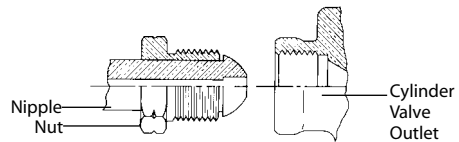
CGA 555

CGA 555 is the standard cylinder valve outlet connection for liquid withdrawal of butane and/or propane. Thread specification is $.903$ " - 14 NGO - LH - EXT, which means $.903$ " diameter thread, 14 threads per inch, National Gas Outlet form, left-hand external thread.



CGA 182, or SAE Flare

This connection ensures a leak-tight joining of copper tubing to brass parts without the need for brazing or silver soldering. The common size used on LP-Gas valves and fittings is $\frac{3}{8}$ " SAE (Society of Automotive Engineers) flare. Although this connection is referred to as a $\frac{3}{8}$ ", because $\frac{3}{8}$ " OD tubing is used, the thread actually measures $\frac{5}{8}$ ". The specifications are $.625 - 18 \text{ UNF} - 2A - \text{RH} - \text{EXT}$, which means $.625$ " diameter thread, 18 threads per inch, Unified Fine Series Class 2 Tolerances, right-hand, external thread.



CGA 510 or POL

Most widely used in this industry, POL is the common name for the standard CGA 510 connection. Thread specification is $.885$ " - 14 NGO - LH - INT, meaning $.885$ " diameter thread, 14 threads per inch, National Gas Outlet form, left-hand internal thread. RegO POL outlet connections for LP-Gases conform to this standard.

LP-Gas Cylinder and Service Valves

General Information

The wide acceptance of RegO Cylinder Valves is based on their reliable performance as well as their reputation for engineering and manufacturing excellence.

Together with thorough testing, these efforts result in years of trouble-free service. RegO Cylinder Valves are listed by Underwriters' Laboratories and approved by the Bureau of Explosives for pressure relief valve operation, wherever applicable. See section on relief valves for important information.

Reliability

RegO Cylinder Valves are built with attention to each detail: Beginning with comprehensive inspection of forgings and machined parts, and ending with intense quality testing on each individual valve prior to shipment.

Every valve must pass a stringent and comprehensive underwater leakage test. Additionally, valves with pressure reliefs are tested for proper pressure and operation, including reseating to ensure proper opening and closing at required pressures. Those equipped with excess flow checks are tested for compliance with published closing specifications, and tested to ensure minimum leakage after closing.

Instructions for the Proper Use and Applications of RegO Cylinder Valves

1. Containers and pipe line should be cleaned thoroughly before valves are installed. Large particles of solid foreign matter can cut the seating surface of any resilient seat disc, causing the valve to leak. Care must be exercised in inserting valves into lines or containers to avoid damaging or exerting pressure against pressure relief valves and outlet connections. Use a minimum amount of a suitable luting compound on the cylinder valve threads only. Excess amounts of luting compound can foul the operating parts of the valves.

Heavy-Duty Valve Stem Seals

RegO Cylinder Valves utilize seat discs and stem seals which resist deterioration and provide the kind of reliable service required for LP-Gas utilization. Diaphragm or O-Ring stem seals are available. Valves with diaphragm stem seals are recognized for their heavy-duty body design and are suitable for use in cylinders up to 200 lbs. propane capacity.

O-Ring type stem seals are the most widely accepted in the industry. The simple, economical and long life design features a tapered and confined nylon seat disc which provides positive, hand-tight closings, and a faster filling cylinder valve.

Pressure Relief

RegO Valves have full-capacity "pop action" pressure reliefs with start to discharge settings starting at 375 PSIG.

A Valve for Every Need

RegO Cylinder Valves are available for all LP-Gas services; a wide choice for domestic, commercial, industrial, RV, motor fuel, and lift truck applications.

Valves are available with a combination of options such as pressure reliefs, liquid level gauges, and liquid withdrawal tubes. Also available for special applications are plumber's pot valves, tamper resistant valves for field service, and dual valves for simultaneous liquid and vapor service.

2. Do not use excessive force in opening or closing the valves. The seat disc and diaphragm materials permit the valves to be opened and closed easily by hand. Never use a wrench on wheel handle valves.
3. When the design of the piping installation allows liquid to be locked between two valves, a hydrostatic relief valve must be installed in the line between the two valves. The pressures which can develop due to temperature increase in a liquid full line are tremendous and can cause rupture of the line or damage to the valves.
4. The valves are designed to withstand normal atmospheric temperatures. They should not, however, be subjected to abnormally high temperatures.

Design Features of RegO Cylinder Valves

Valve Stems On 901, 9101, 9102 and 9103 Valves

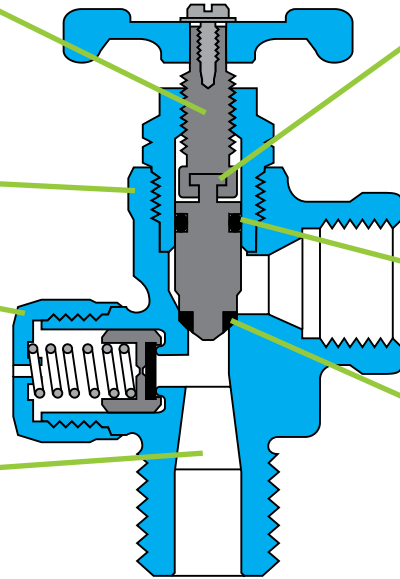
Are machined with a double lead thread for quick opening and closing as well as high lift.

Forged Brass Body

Pressure Relief
Provides quick discharge of excess pressure. Relief seat disc is special resilient composition rubber.

Tapered Seat Openings On 9101, 9102 and 9103 Valves

Permit increased flow rates resulting in faster charging.



Back Seat On 901, 9101, 9102 and 9103 Valves

Is metal-to-metal seating to provide added protection against leakage while the valve is open. Back seat the valve while in operation.

O-Rings

For positive leak-proof seals under temperature and pressure variations.

Seat Disc

Is a tapered nylon in a fully confined seat to ensure easy, leak-free, positive shutoffs. Seat disc also provides a separate swivel action to minimize scoring by impurities.

Heavy-Duty Cylinder Valves for Vapor Withdrawal

9103 Series

Application

This heavy duty cylinder valve is designed for vapor withdrawal of DOT cylinders up to 100 lbs. propane capacity. It is used in domestic hookups and industrial commercial installations.

Features

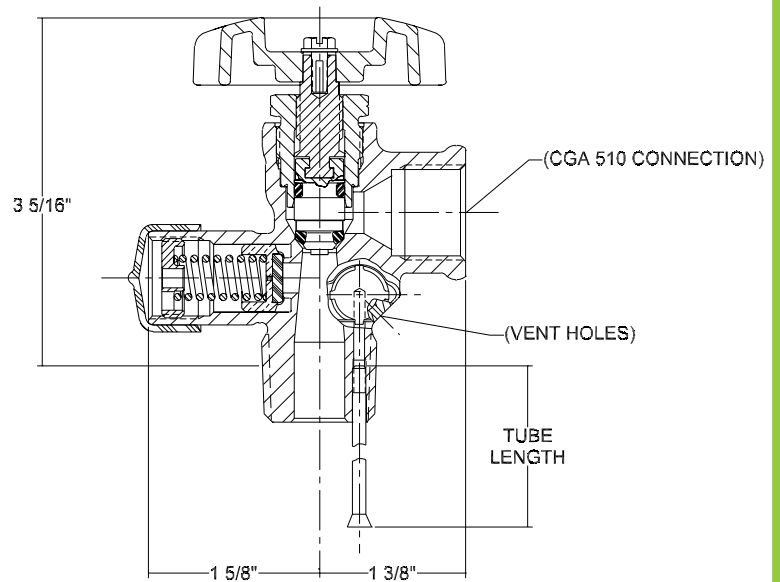
- Equipped with a fast filling throat and high lift, o-ring stem seal design.
- Utilizes a nylon tapered seat design for positive closing.
- Available with a fixed liquid level gauge.
- Self-tapping screw secures handwheel to stem and reduces possibility of handwheel vibrating loose while in transit.

Materials

Body Forged Brass
 Handwheel..... Aluminum
 Stem Brass
 O-Rings Resilient Rubber
 Seat Disc Nylon
 Relief Spring Stainless Steel



9103D



Ordering Information

Part Number	Container Connection	Service Connection	Fixed Liquid Level Vent Valve	Dip Tube Length w/ Deflector	Pressure Relief Valve Setting	For Use in Cylinders w/Propane Capacity Up To:	Approximate Filling Rate Liquid Flow, GPM				Accessories	
							Pressure Drop Across Valves					
							10 PSIG	25 PSIG	50 PSIG	100 PSIG		
9103D10.6	¾" M NGT	F. POL (CGA 510)	Standard	10.6"	375 PSIG	100 lbs.	12.7	20.3	29.0	41.3	N970P	
9103D11.6				11.6"								
D9103D10.6				#72 Low Emission								10.6"
D9103D11.6				#72 Low Emission								11.6"

Cylinder Valve for RV and Small ASME System Vapor Withdrawal 9106CO

Application

Designed especially for vapor withdrawal service in small ASME containers with surface area up to 23.8 square feet. UL flow capacity is 645 SCFM/air.



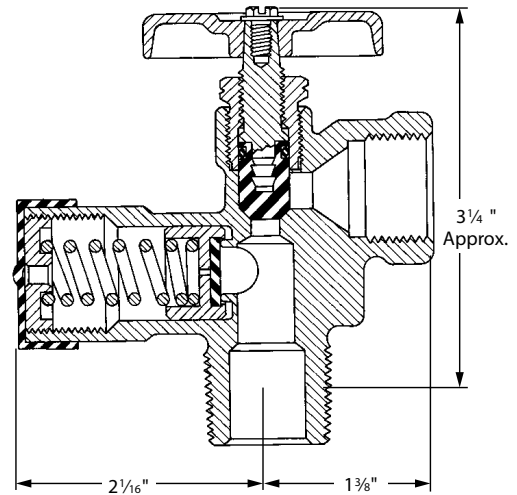
9106CO

Features

- One-piece relief valve is shielded from tampering and damage.
- Relief is forged as part of the body for extra strength.
- 312 PSIG Relief Valve setting.

Materials

Body	Forged Brass
Handwheel.....	Aluminum Die Cast
Stem	Brass
Seat Disc	Nylon
Relief Spring.....	Stainless Steel



Ordering Information

Part Number	Container Connection	Service Connection	Fixed Liquid Level Vent Valve Style	Pressure Relief Valve Setting	For Use In Cylinders w/ Propane Capacity Up To	Flow Capacity SCFM/Air
9106CO	3/4" M. NGT	F. POL (CGA 510)	none	312 PSIG	ASME Tanks*	645

* Surface area up to 23.8 square feet.

Cylinder Valve for Liquid Withdrawal 9107K8A

Application

Equipped with excess flow valves and liquid withdrawal tubes, they are designed for liquid withdrawal of DOT cylinders up to 100 lbs. propane capacity. They are most often used with heavy BTU loads found in industrial uses.

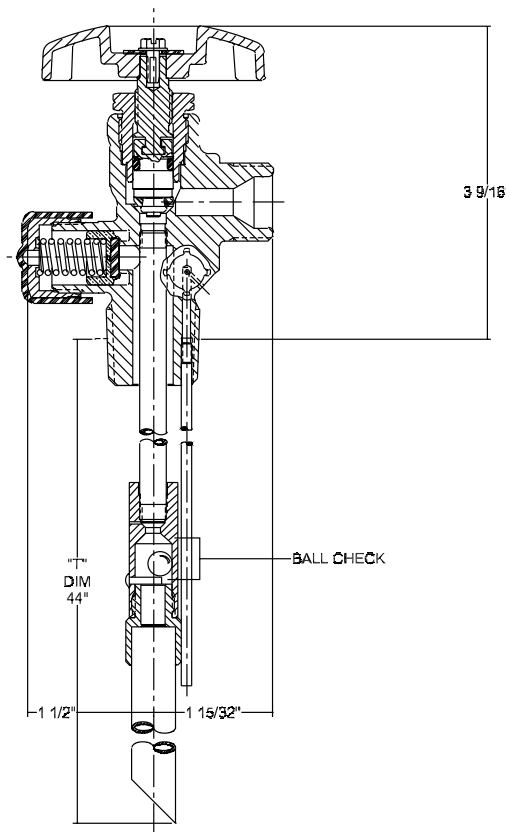
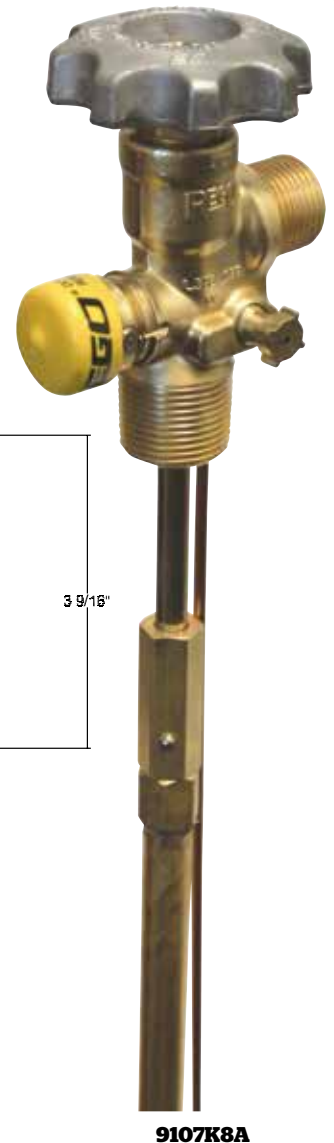


Features

- O-ring stem seal design.
- Nylon tapered seat disc for positive closure.
- Self-tapping screw secures handwheel to stem and reduces possibility of handwheel vibrating loose while in transit.
- Features ball check excess flow valve.
- Furnished with 1/2" O.D. brass withdrawal tube with "T" dimension of 44".

Materials

Body Forged Brass
 Handwheel..... Aluminum Die Cast
 Seat Disc Nylon
 O-Rings Resilient Rubber
 Relief Spring Stainless Steel
 Stem Brass



Ordering Information

Part Number	Container Connection	Service Connection	Fixed Liquid Level Vent Valve	Dip Tube Length	Liquid Withdrawal Tube Length
9107K8A	3/4" M. NGT	CGA 555	Standard	11.6"	44"
D9107K8A			#72 Low Emission		

Pressure Relief Valve Setting	For Use in Cylinders w/Propane Capacity Up To:	Approximate Filling Rate Liquid Flow, GPM				Closing Flow (LP-Gas) *		
		Pressure Drop Across Valves				Vapor		Liquid
		10 PSIG	25 PSIG	50 PSIG	100 PSIG	25 PSIG Inlet	100 PSIG Inlet	
375 PSIG	100 lbs.	3.3	5.4	7.7	11.1	525 SCFH	1,000 SCFH	1.7 GPM

*Closing flows based on 3/8" O.D. withdrawal tube 44" long or less attached.

IMPORTANT: 1/4" O.D. pigtails or POL connections for 1/4" O.D. pigtails should not be used with these valves.

NOTES: To ensure proper functioning and maximum protection from excess flow valves, the cylinder valve should be fully opened and backseated when in use. These valves incorporate an excess flow valve. Refer to L-500 / Section F, for complete information regarding selection, operation and testing of excess flow valves.

Service Valves for ASME and DOT Containers or Vapor Fuel Line Applications 901C1, 9101C, 9101D, 9101R and PT9102 Series

Application

Designed for vapor withdrawal service on ASME and DOT containers or in fuel line applications. Since none of these valves have an integral pressure relief valve, they may only be used as an accessory valve on containers that have an independent pressure relief valve sufficient for that container's capacity.

Features

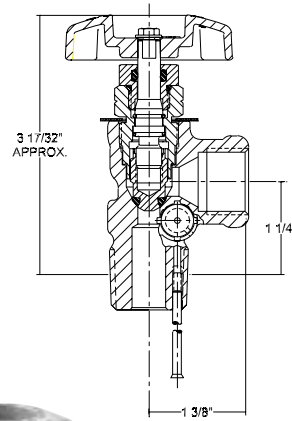
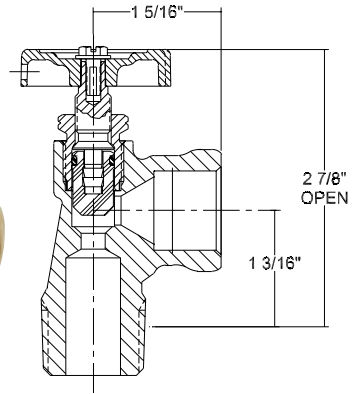
- O-Ring stem seal design provides positive seal.
- Metal-to-metal back seat provides added protection against leakage while the valve is open.
- Valves with fixed liquid level gauges permit operator to quickly determine when the maximum permitted filling level of the container is reached.
- 9101R Series with MultiBonnet® assembly allows quick and easy repair of bonnet.
- PT9102R Series **With the service valve closed the pressure test/Presto-Tap® port is isolated from the container.** This will allow a high pressure leak test to be conducted without disconnecting the pigtail from the service valve. For more information, see page C13 on this feature

Materials

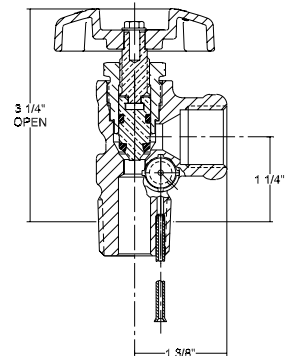
Body Forged Brass
 Handwheel..... Aluminum Die Cast
 Stem Brass
 O-Rings Resilient Synthetic Rubber
 Seat Disc Nylon



901C1



9101R1



PT9102



9101D



Ordering Information

Part Number	Bonnet Style	Container Connection	Service Connection	Fixed Liquid Level Vent Valve	Approximate Filling Rate Liquid Flow, GPM				Diptube Length w/ Deflector	Ready To Go™									
					Pressure Drop Across Valve														
					10 PSIG	25 PSIG	50 PSIG	100 PSIG											
901C1	Standard	3/4" M. NGT	F. POL CGA 510	No	5.3	8.2	10.8	14.2	N/A	NA									
9101C1				No	8.8	12.4	15.8	21.7											
9101D11.1				Yes	8.6	12.7	16.3	22.3	11.1										
9101D11.7				Yes	8.6	12.7	16.3	22.3	11.7										
9101R1	MultiBonnet® assembly			No	7.6	11.7	15.2	20.6	N/A	N/A	No								
9101R11.1				No					11.1										
9101R11.7				No					11.1										
9101R11.7				No					11.7										
9102D11.1	Standard			7.6					11.7	15.2	20.6	20.6	11.1	11.1	Plugged				
9102D11.7													Yes	11.7		11.7			
9102R11.1		Yes	11.1										11.1						
9102R11.7	MultiBonnet® assembly	7.6	11.7										15.2	20.6	20.6	11.1	11.1	Yes	
9102R11.7																No	11.1		11.1
PT9102R1																No	N/A		N/A
PT9102R11.1					Yes	11.1	11.1												
PT9102R11.7	Yes				11.1	11.1	11.1	11.1								11.1	11.1	11.1	11.1

Note: Since these valves have no integral pressure relief valve, they can be used on any container with an independent relief device sufficient for that tank's capacity.

Service Valves for ASME and DOT Containers or Vapor Fuel Line Applications D9101D/R, D9102D/R and DPT9102D/R Series

Application

Designed for vapor withdrawal service on ASME and DOT containers or in fuel line applications. Since none of these valves have an integral pressure relief valve, they may only be used as an accessory valve on containers that have an independent pressure relief valve sufficient for that container's capacity. The Fixed liquid level gauge is provided with a #72 low Emission fixed liquid level vent valve.

Features

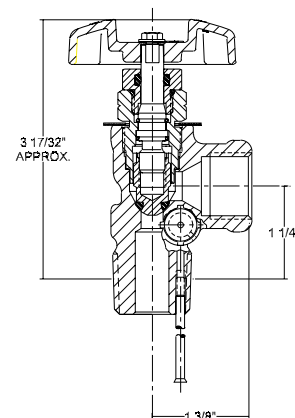
- O-Ring stem seal design provides positive seal.
- Metal-to-metal back seat provides added protection against leakage while the valve is open.
- Valves with fixed liquid level gauges permit operator to quickly determine when the maximum permitted filling level of the container is reached.
- D9101R and D9102R Series with MultiBonnet® assembly allows quick and easy repair of bonnet.
- DPT9102R Series **With the service valve closed the pressure test/Presto-Tap® port is isolated from the container.** This will allow a high pressure leak test to be conducted without disconnecting the pigtail from the service valve. For more information, see page C13 on this feature
- #72 Low Emission Fixed Level Vent Valve.

Materials

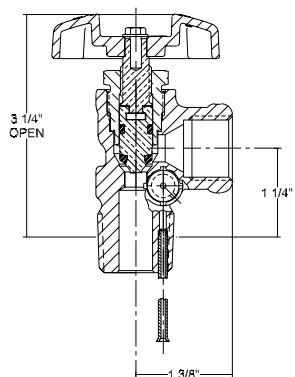
Body Forged Brass
 Handwheel..... Aluminum Die Cast
 Stem Brass
 O-Rings Resilient Synthetic Rubber
 Seat Disc Nylon



DPT9102



D9101D



Ordering Information

Part Number	Bonnet Style	Container Connection	Service Connection	Fixed Liquid Level Vent Valve	Approximate Filling Rate Liquid Flow, GPM				Dip Tube Length w/ Deflector	Ready To Go™					
					Pressure Drop Across Valve										
					10 PSIG	25 PSIG	50 PSIG	100 PSIG							
D9101D11.1	Standard	3/4" M. NGT	F. POL CGA 510	#72 Low Emission	8.6	12.7	16.3	22.3	11.1	N/A					
D9101D11.7									11.7						
D9101R11.1	MultiBonnet® assembly				11.1	7.6	11.7	15.2	20.6		11.1	Plugged			
D9101R11.7					11.7										
D9102D11.1	Standard				11.1					11.1	15.2		20.6	11.1	N/A
D9102D11.7					11.7										
D9102R11.1	MultiBonnet® assembly				11.1	7.6	11.7	15.2	20.6	11.1	Plugged				
D9102R11.7					11.7										
DPT9102D11.1	Standard				3/4" M. NGT	F. POL CGA 510	#72 Low Emission	7.6	11.7	15.2		20.6	11.1	N/A	
DPT9102D11.7													11.7		
DPT9102R11.1	MultiBonnet® assembly	11.1	7.6	11.7				15.2	20.6	11.1	Yes				
DPT9102R11.7		11.7													

Note: Since these valves have no integral pressure relief valve, they can be used on any container with an independent relief device sufficient for that tank's capacity.

Service Valves for ASME Motor Fuel Containers 901C, 9101H, and 9101Y Series

Application

Designed specifically for vapor or liquid withdrawal service on ASME motor fuel containers. Since none of these valves have an integral pressure relief valve, they may only be used as an accessory valve on containers that have an independent pressure relief valve sufficient for that container's capacity.

The integral excess flow valve found in all these service valves helps prevent excessive product loss in the event of fuel line rupture.

When installed for liquid withdrawal, the 9101H6 has provisions for attachment of a liquid withdrawal tube. All other valves must be installed in containers that have provisions for a separate liquid withdrawal.

To ensure proper functioning and maximum protection from integral excess flow valves, these service valves should be fully opened and backseated when in use.

Features

- Incorporates integral excess flow valve and shut-off valve in one unit.
- Double lead thread provides faster opening and closing.
- O-Ring stem seal design provides positive seal.
- Tapered and confined seat disc provides positive shut off.
- Metal-to-metal back seat provides added protection against leakage while the valve is open.
- 9101H6 equipped with a 1/4" NPT internal thread for the addition of a liquid withdrawal tube.
- 9101Y Series features a 60° angled outlet connection to facilitate easier and simpler fuel line make-up.

Materials

Body Forged Brass
 Handwheel..... Aluminum Die Cast
 Stem Brass
 O-Rings Resilient Synthetic Rubber
 Seat Disc Nylon

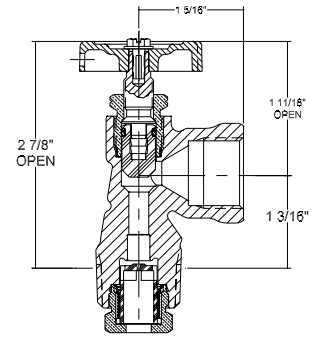
Ordering Information

Part Number	Container Connection	Service Connection	Liquid Withdrawal Connection	Closing Flow (LP-Gas)		
				Vapor		Liquid GPM
				25 PSIG Inlet (SCFH)	100 PSIG Inlet (SCFH)	
901C3	3/4" M. NGT	F. POL CGA 510	None	350***	605***	1.5***
901C5				550***	1050***	2.6***
9101H3		3/8" SAE Flare		430**	800**	1.5**
9101H5*				765**	1300**	3.6**
9101H6*		1/4" NPT		550****	1050****	2.6****
9101Y5H*		60° Angle 3/8" SAE Flare		None	765**	1300**

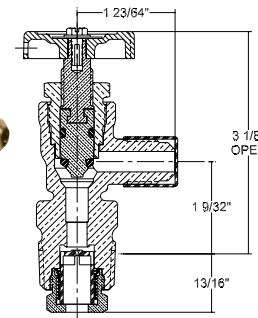
* Heavy-duty models
 ** Based on 3/8" O.D. pigtail, 20" long or less, connected to valve outlet. For greater lengths, the pigtail must have a larger O.D.
 *** Same as (**). In addition, 1/4" O.D. pigtails or POL connections for 1/4" O.D. should not be used with this valve.
 **** Based on 3/8" O.D. pigtail; 20" long or less, connected to valve outlet. Also based on 1/4" pipe size dip tube, 42" long or less, attached to special inlet connection. For longer pigtail lengths, the diameter of the pigtail must be increased.
 NOTE: These valves incorporate an excess flow valve. Refer to L-500/Section F, for complete information regarding selection, operation and testing of excess flow valves.



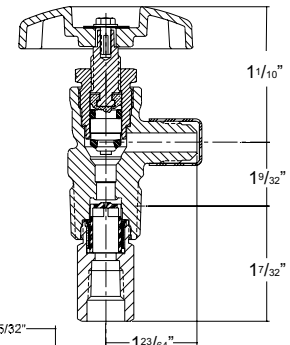
901C5



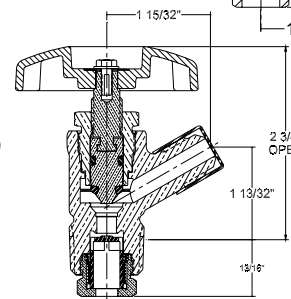
9101H5



9101H6



9101Y5H



Service Valves for DOT Fork Lift Containers

9101P5 and 9101P6 Series

Application

Designed specifically for vapor or liquid withdrawal service on DOT fork lift containers. Valves with 1.5 GPM closing flow are for use in small and medium size lift truck applications, while those with 2.6 GPM closing flow are for large lift trucks. Since none of these valves have an integral pressure relief valve, they may only be used as an accessory valve on containers that have an independent pressure relief valve sufficient for that cylinder's capacity.

The integral excess flow valve found in all these service valves helps prevent excessive product loss in the event of fuel line rupture.

When installed for liquid withdrawal, the 9101P6 Series has provisions for attachment of a liquid withdrawal tube. The 9101P5 Series must be installed in containers that have provisions for a separate liquid withdrawal.

To ensure proper functioning and maximum protection for integral excess flow valves, these service valves should be fully opened and backseated when in use.

Features

- Incorporates integral excess check valve and shut-off valve in one unit.
- Special 1.5 GPM closing flow on select valves provided especially for lift trucks and equipment with smaller engines.
- Double lead stem thread provides faster opening and closing.
- O-Ring stem seal design provides positive seal.
- Tapered and confined seat disc provides positive shut-off.
- Metal-to-metal back seat provides added protection against leakage while the valve is open.
- 9101P6 Series equipped with a 1/4" NPT internal thread for the addition of a liquid withdrawal tube.

Materials

Body Forged Brass
 Handwheel..... Aluminum Die Cast
 Stem Brass
 O-Rings Resilient Synthetic Rubber
 Seat Disc Nylon

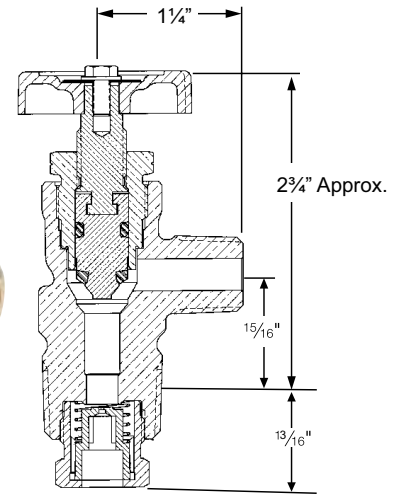
Ordering Information

Part Number	Container Connection	Service Connection	Liquid Withdrawal Connection	Closing Flow (LP-Gas)			Approximate Filling Rate Liquid Flow, GPM				Accessories		
				Vapor		Liquid (GPM)	Pressure Drop Across Valve				ACME Check Connectors		
				25 PSIG Inlet (SCFH)	100 PSIG Inlet (SCFH)		10 PSIG	25 PSIG	50 PSIG	100 PSIG	Male	Female	Cap
9101P5	1/4" M. NGT	3/8" M. NPT	None	430	900	1.5	5.0	7.6	10.7	14.9	7141M	7141F	7141M-40 or 7141FP
9101P5H				550	1050	2.6							
9101P6			1/4" NPT	430	900	1.5	4.5	7.2	10.3	14.8			
9101P6H				550	1050	2.6							

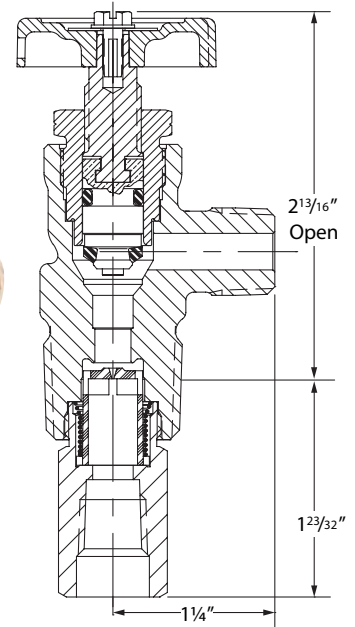
Note: These valves incorporate an excess flow valve. Refer to L-500/Section F, for complete information regarding selection, operation and testing of excess flow valves.



9101P5
9101P5H



9101P6
9101P6H



Cylinder Valve for Propylene Service 9104PT and 9104PPA

Application

Designed for vapor withdrawal from and protection of DOT cylinders up to 100 lbs. propylene capacity with pressure ratings such as 4B-260, 4BA-260, and 4BW-260 cylinders.



Features

- Nylon tapered seat designed for positive closing.
- Relief is forged as part of the body for extra strength.
- Available with Fixed Liquid Level Gauge.
- 435 PSIG Relief Valve Setting.
- Meets TB27 requirements.
- 3/32" Markings.

Materials

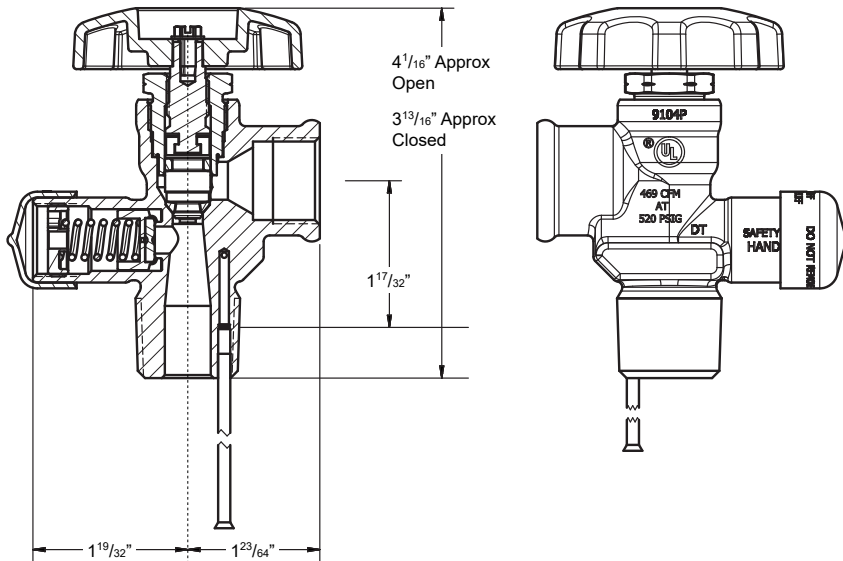
Body	Forged Brass
Handwheel.....	Aluminum
Stem	Brass
Seat Disc.....	FKM
Relief Spring.....	Stainless Steel
Relief Valve Setting	435 PSIG TB27



9104PT



9104PPA



Ordering Information

Part Number	Container Connection	Service Connection	Fixed Liquid Level Vent Valve Style	Dip Tube Length*	Pressure Relief Valve Setting	For use in Cylinders w/ Propylene Capacity up to:
9104PPA	3/4" M.NPT	F.POL - (CGA 510)	N/A	N/A	435 PSIG	100lbs
*9104PT10.1			Knurled	10.0"		
*9104PT10.7				10.7"		

* Valve can be ordered with other dip tube lengths. Specify required length when ordering. X = diptube size

“Dual” Cylinder Valve for Simultaneous Liquid and Vapor Withdrawal 8556

Application

This dual cylinder valve was designed especially for industrial uses. It increases the cylinder’s flexibility by permitting DOT cylinders up to 100 lbs. propane capacity to be used interchangeably or simultaneously for either liquid or vapor withdrawal.

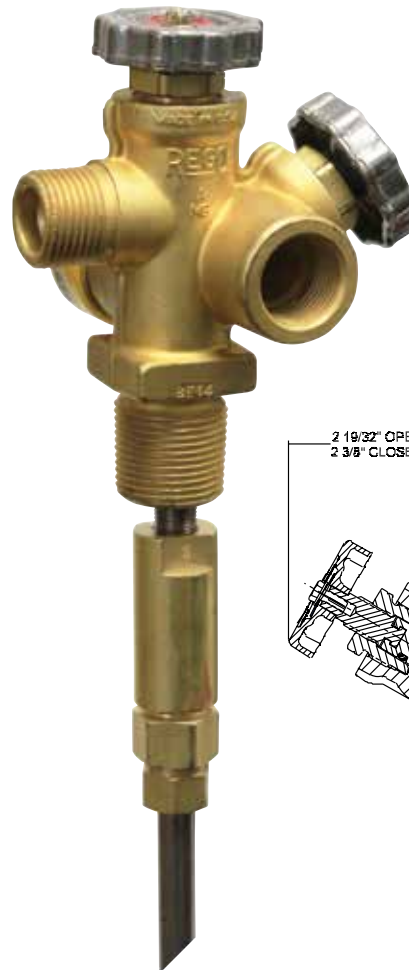


Features

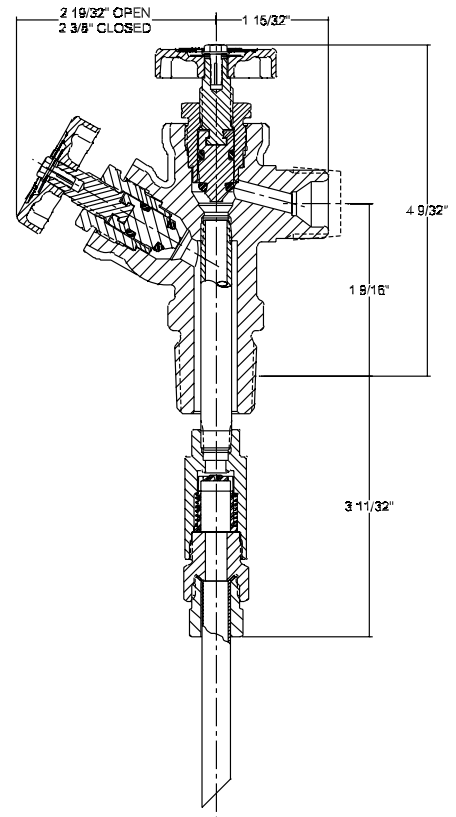
- Two separate flow channels in the body permit vapor and/or liquid withdrawal alternately, or simultaneously.
- Outlet connections have two different fittings.
- Handwheels are equipped with appropriate “liquid” or “vapor” identification labels.
- Furnished with a 3/8” O.D. stainless steel liquid withdrawal tube with a “T” dimension of 44”.

Materials

Body Forged Brass
 Handwheel..... Aluminum Die Cast
 Stem Brass
 Seat Disc Nylon
 O-Rings Resilient Rubber
 Relief Spring Stainless Steel



8556



Ordering Information

Part Number	Container Connection	Service Connection		Fixed Liquid Level Vent Valve Style	Liquid Withdrawal Tube Length
		Vapor	Liquid		
8556	3/4" M. NGT	F. POL (CGA 510)	CGA 555	None	44"

Pressure Relief Valve Setting	For Use in Cylinders w/Propane Capacity Up To:	Approximate Filling Rate Liquid Flow, GPM				Liquid Closing Flow* (LP-Gas)
		Pressure Drop Across Valves				
		10 PSIG	25 PSIG	50 PSIG	100 PSIG	
375 PSIG	100 lbs.	6.6	10.0	14.5	21.0	2.3 GPM

* To ensure proper functioning and maximum protection from integral excess flow valves, the cylinder valve should be fully opened and backseated when in use.
 NOTE: These valves incorporate an excess flow valve. Refer to L-500/Section F, for complete information regarding selection, operation and testing of excess flow valves.

Adhesive Warning Labels 901-400 and 903-400

These adhesive warning labels are intended for application as close as possible to the cylinder valve and/or service valve.

The basic information contained on the label is intended for the benefit of the user of the valves and is not intended to be an "all-inclusive" product warning.

These labels are printed on a heavy duty material with pressure sensitive adhesive backing. The ultra-violet ink stands up well when exposed to the environment.

Part Number	
901-400	Adhesive Label Primarily for Fork Lift Cylinders
903-400	Adhesive Label Primarily for Small DOT Cylinders
903-500	Adhesive Label Primarily for Cylinder and Service Valves

DANGER	LP-GAS IS EXTREMELY FLAMMABLE AND EXPLOSIVE KEEP CYLINDER OUT OF THE REACH OF CHILDREN	WARNING
<p>AVOID SERIOUS INJURY AND PROPERTY DAMAGE. IF YOU SEE, SMELL, OR HEAR THIS HISS OF ESCAPING GAS... IMMEDIATELY GET AWAY FROM THIS CYLINDER! CALL YOUR LOCAL FIRE DEPARTMENT! DO NOT ATTEMPT TO REPAIR. DO NOT USE OR STORE IN BUILDING OR ENCLOSED AREA. FOR OUTDOOR USE ONLY.</p>		
<p>This container is filled with highly flammable LP-Gas under pressure. A serious fire or explosion can result from leaks and misuse or misbranding of the container and its valves. Do not remove, hold or fill the container by any of its valves. Do not expose to fire or temperatures above 120°F (49°C). Do not over fill.</p> <p>This container incorporates a pressure relief valve. The pressure relief valve will vent a large amount of LP-Gas into the air if the container is (1) exposed to high temperatures over 120°F (49°C) or (2) overfilled and exposed to a temperature higher than the temperature at the time it was filled.</p> <p>The pressure relief valve is equipped with a protective cover. The protection cover must remain in place at all times except when servicing the valve. CAUTION: Use eye protection. If dust, dirt, moisture or other foreign material collects in the valve, it may not function properly to prevent container rupture or unwanted product loss after opening.</p> <p>Each time the container is filled, the pressure relief valve must be checked to see that it is completely unobstructed and that it has no physical damage. If there is any doubt about the condition of the valve, the container must be removed from service and the pressure relief valve must be replaced.</p> <p>Only trained personnel should be permitted to fill this container. Before the container is filled for the first time, it must be purged of air. This total liquid volume of LP-Gas must never exceed the amount designated by applicable filling density regulations for this container.</p> <p>Never use the protective cap or plug on the ACME threaded fill valve at all times. Never insert a screwdriver or other tool into the valve as it can damage the seal or gasket and cause an uncontrolled leak.</p>	<p>Do not allow any overflow. If the liquid level gauge is used during filling, filling should stop the moment a white LP-Gas cloud is emitted from the liquid hole. Keep the vent close tightly at all other times. Each time the container is filled, it must be checked for leaks (with a leak detection solution - leaks cause bubbles to grow). The Shut-Off Valve and Filled Liquid Level Gauge (if incorporated) must be checked for proper operation. The Pressure Relief Valve must be checked to ensure that it is completely unobstructed and that it has no physical damage. CAUTION: eye protection must be worn when using.</p> <p>Do not disconnect or connect this container without first reading the instructions accompanying the vehicle or appliance with which this container is intended to be used. CAUTION: No smoking while connecting or disconnecting this container.</p> <p>Make sure the service valve is shut off tightly before beginning to assemble or disassemble the coupling. Liquid LP-Gas may flow or leak from the coupling. This liquid can cause skin burns, frostbite and other serious injuries in addition to those caused by fire or explosion. If these leaks occur, stop the flow immediately. CAUTION: Wear proper skin and eye protection. Any gas that is escaping must be routinely checked for wear and replaced as required.</p> <p>After connecting the coupling, make sure the connection is leak tight. Check for leaks with a leak detection solution (leaks cause bubbles to grow). If the connection leaks after tightening, close the service valve, disconnect the coupling and remove from service.</p> <p>When not in use, keep the service shut-off valve closed. When in use, keep the service valve fully open. Keep this equipment out of the reach of children.</p> <p>This container must be used only in compliance with all applicable laws and regulations, including National Fire Protection Association Publication #58, which is the law in many states. A copy of this publication may be obtained by writing NFPA, Battery March Park, Quincy, MA 02269.</p>	<p>DO NOT REMOVE, DEFACE OR OBLITERATE THIS LABEL. DO NOT FILL THIS CONTAINER UNLESS THIS LABEL IS READABLE.</p> <p>ADDITIONAL SAFETY INFORMATION IS AVAILABLE FROM REGO <small>Elon, NC 27244 USA • www.regoproducts.com Phone (336) 449-7707 • Fax (336) 449-6594</small> Printed in U.S.A. 06-04 14-0388 Warning 901-400</p>

901-400

DANGER!	LP-GAS IS EXTREMELY FLAMMABLE AND EXPLOSIVE KEEP CYLINDER OUT OF THE REACH OF CHILDREN	WARNING!
<p>AVOID SERIOUS INJURY AND PROPERTY DAMAGE. IF YOU SEE, SMELL, OR HEAR THIS HISS OF ESCAPING GAS... IMMEDIATELY GET AWAY FROM THIS CYLINDER! CALL YOUR LOCAL FIRE DEPARTMENT! DO NOT ATTEMPT TO REPAIR. DO NOT USE OR STORE IN BUILDING OR ENCLOSED AREA. FOR OUTDOOR USE ONLY.</p>		
<p>This cylinder contains highly flammable LP-Gas under pressure. A serious fire or explosion can result from leaks and misuse or misbranding of the cylinder and its valve. Do not carry, hold or fill the cylinder by its valve. Do not expose to fire or temperatures above 120°F (49°C).</p> <p>The Cylinder Valve incorporates a Shut-Off Valve and Pressure Relief Valve. The Pressure Relief Valve can expel a large jet of LP-Gas into the air if the cylinder is (1) exposed to high temperatures - over 120°F (49°C) or (2) overfilled and exposed to a temperature higher than the temperature at the time it was filled. Never attempt to fill this cylinder yourself. Do not tamper with it or attempt repairs.</p> <p>Only trained LP-Gas Dealer personnel should be permitted to fill this cylinder and to repair or replace its valve. Each time the cylinder is filled, the entire Cylinder Valve must be checked for leaks (with a leak detection solution - leaks cause bubbles to grow). The Shut-Off Valve and Filled Liquid Level Gauge (if incorporated) must be checked for proper operation. The Pressure Relief Valve must be checked to ensure that it is completely unobstructed and that it has no physical damage. CAUTION: eye protection must be worn when using.</p>	<p>It is important the valve correct leak is repaired. The Shut-Off Valve may require periodic repair or replacement.</p> <p>Before the cylinder is filled for the first time, it must be purged of air. Total liquid volume must never exceed the amount designated by DOT for this cylinder.</p> <p>If the cylinder has a Filled Liquid Level Gauge, filling should stop the moment a white LP-Gas cloud is emitted from its bleed hole. Keep the Valve closed tightly at all other times.</p> <p>Keep this cylinder firmly secured in an upright position at all times. Do not lay on its side during transport, storage or use. In other than an upright position, liquid LP-Gas may flow or leak. This liquid can cause skin burns, frostbite and other serious injuries in addition to those caused by fire or explosion.</p> <p>When not in use: Close the Shut-Off Valve. Insert a protective plug (P.O.L. plug) into the Cylinder Valve outlet. (CAUTION: counter-clockwise thread) The P.O.L. plug must be inserted whenever the cylinder is stored, manually moved, or transported by vehicle.</p>	<p>Do not use the cylinder without first reading the instructions accompanying the appliance with which this cylinder is intended to be used.</p> <p>2. Before connecting the Cylinder Valve outlet connection to an appliance, make sure the connection does not contain dirt or debris. These may cause the connection to leak or may impair the functioning of the regulator, creating a hazardous condition.</p> <p>3. When connecting the Cylinder Valve outlet to an appliance (CAUTION: counter-clockwise thread), make sure the connection is tight. Check for leaks with a high quality leak detection solution (leaks cause bubbles to grow). If the connection leaks after tightening, close cylinder valve, disconnect it from the appliance, insert the P.O.L. plug and immediately return the cylinder, with the Cylinder Valve attached to your LP-Gas Dealer for examination. This cylinder must be used only in compliance with all applicable laws and regulations, including National Fire Protection Association Publication #58, which is the law in many states. A copy of this Publication may be obtained by writing NFPA, Battery March Park, Quincy, MA 02269.</p>
<p>DO NOT REMOVE, DEFACE OR OBLITERATE THIS LABEL! DO NOT FILL THIS CYLINDER UNLESS THIS LABEL IS READABLE!</p> <p>ADDITIONAL SAFETY INFORMATION IS AVAILABLE FROM REGO <small>Elon, NC 27244 USA • www.regoproducts.com Phone (336) 449-7707 • Fax (336) 449-6594</small> Printed in U.S.A. 06-04 14-0384 Warning 903-400</p>		

903-400

The following warning information, Part Number 903-500, is included with each shipment of cylinder valves and service valves to the first purchaser of the product from the factory.

This information is intended to be forwarded throughout the product distribution chain. Additional copies are available from RegO and Authorized Product Distributors.

DANGER	READ THIS FIRST	WARNING
<p>LP-GAS IS EXTREMELY FLAMMABLE AND EXPLOSIVE</p> <p>AVOID SERIOUS INJURY AND PROPERTY DAMAGE. IF YOU SEE, SMELL OR HEAR ESCAPING GAS...EVACUATE AREA IMMEDIATELY! CALL YOUR LOCAL FIRE DEPARTMENT! DO NOT ATTEMPT TO REPAIR. DO NOT STORE IN BUILDING OR ENCLOSED AREA. DO NOT USE ON HOT AIR BALLOONS OR AIRCRAFT.</p>		
<p>Make sure you are thoroughly trained before you attempt any valve installation, maintenance or repair. Improper conditions or procedures can cause accidents resulting in property damage and personal injury. Become thoroughly familiar with NFPA Safety Pamphlet 306 "LP-Gas Regulator and Valve Inspections & Maintenance" and RegO Safety Warnings "LP-Gas Cylinder Valves", "LP-Gas Excess Flow Valves", and "LP-Gas Filler and Hose End Filling Valves" found in the cylinder valve, excess flow valve, and filler valve sections of the L-500 & L-102 Catalogs. Follow their recommendations.</p> <p>Know and understand NFPA Pamphlet 58 "Liquefied Petroleum Gas Code", which is the law in many states. This publication is available from NFPA, Battery March Park, Quincy, MA 02269. Following its requirements is essential in the safe use of LP-Gas. Section 4.4 states: "Persons who transfer liquid LP-Gas, who are employed to transport LP-Gas, or whose primary duties fall within the scope of this code shall be trained in proper handling procedures. Refresher training shall be provided at least every three years and shall be documented."</p> <p>Make sure this valve is the proper one for this installation. Avoid misusing LP-Gas equipment.</p> <p>Apply thread joint compound compatible with LP-Gas on valve external threads only. Make sure compound never comes into contact with parts of the valve.</p> <p>Install valves by applying force to wrenching flats only.</p> <p>Tighten pipe threads approximately 1 to 1½ turns beyond the hand-tight insertion point using a wrench which avoids damage to other valve parts.</p> <p>Check for damage and proper operation after valve installation. Check that the valve is clean and free of foreign material.</p> <p>Check container-valve connection with a non-corrosive leak detection solution before filling with LP-Gas.</p> <p>Purge container before filling with LP-Gas (refer to the RegO LP-Gas Serviceman's Manual for recommended procedure).</p> <p>Test excess flow check valve for proper operation before placing into service. See NPGA Bulletin 113 for recommended procedure.</p> <p>Check outlet connection make-up for leaks with a non-corrosive leak detection solution when placing into service.</p> <p>RegO Filler Valves: To prevent damage to the internal checks when it is necessary to utilize an unloading adapter, use ONLY RegO 3119A, 3120 and 3121 Unloading Adapters with RegO Filler Valves. Carefully follow the instructions supplied with these unloading adapters.</p> <p>If container is not being placed into service at the present time, insert plug or cap onto the outlet connection. In selecting a label for posting at the installation site, consider RegO part number 901-400 or 903-400 along with your own, NPGA's and others.</p> <p>Remember to instruct the owner/user/customer in safety matters concerning LP-Gas and this equipment. See RegO Safety Warnings "LP-Gas Cylinder Valves", "LP-Gas Excess Flow Valves", and "LP-Gas Filler and Hose End Filling Valves" found in the cylinder valve, excess flow valve, and filler valve sections of the L-500 & L-102 Catalogs.</p> <p>RegO requests that this information be forwarded to your customers. Additional copies are available from RegO and your authorized RegO Distributor.</p>		
<p>REGO <small>Elon, NC 27244 USA • www.regoproducts.com Phone (336) 449-7707 • Fax (336) 449-6594</small> Printed in U.S.A. 09A-0910-0686 Part number 903-500</p>		

903-500

Section C
Multivalve[®] Assemblies



RegO Limited Express Warranty and Limitation of Liability

10-YEAR LIMITED EXPRESS WARRANTY

NOTICE

Failure to install parts exactly as described in the instructions could result in a product that will not perform properly or satisfactorily. Even if parts are correctly installed, the product might fail to perform properly or satisfactorily if other parts are worn, corroded or dirty. Improper repair can cause leaks and malfunction, which could result in significant bodily injury, including death and/or property damage. Any such use or installation of parts must ONLY be done by experienced and properly trained personnel using accepted governmental and industrial safety procedures. Engineered Controls International, LLC ("RegO") assumes no responsibility or liability for performance of products repaired in the field. It must be clearly understood that the person or organization repairing any product(s) in the field assumes total responsibility for the safe and proper performance of the product.

WARNING

All RegO products are mechanical devices that will eventually become inoperative due to wear, corrosion and aging of components made of materials such as rubber, plastic, etc. The environment and conditions of use will determine the safe service life of these products. Periodic inspection and maintenance are essential to avoid serious injury and property damage. Many RegO products are manufactured components which are incorporated by others on or in other products or systems used for storage, transport, transfer and otherwise for use of toxic, flammable and dangerous liquids and gases. Such substances must be handled by experienced and trained personnel only, using accepted governmental and industrial safety procedures.

LP-Gas is a highly explosive and flammable gas that should never be vented near a possible ignition source.

10-YEAR LIMITED EXPRESS WARRANTY

RegO warrants products and repair kits manufactured by it (other than its Presto-Link and Presto-Tap products) to be free from defects in materials and workmanship under normal use and service for a period of 10 years from the date of manufacture. If within 30 days after buyer's discovery of what buyer believes is a defect, buyer notifies RegO thereof in writing and ships the product (at buyer's expense) to RegO at 100 RegO Drive, Elon, N.C. 27244, RegO, at its option, and within 45 days, will repair, replace F.O.B. point of manufacture, or refund the purchase price of that part or product found by it to be defective. Failure of buyer to give such written notice and return the product within 30 days shall be deemed an absolute and unconditional waiver of any and all claims of buyer arising out of such defect. This limited express warranty does not extend to any product or part that is not installed and used continuously after installation in accordance with RegO's printed instructions, all applicable state and local regulations, and all applicable national standards, such as those promulgated by NFPA, DOT and ANSI. This limited express warranty does not extend to any product or part that has been damaged by accident, misuse, abuse, failure to maintain or neglect, nor does it extend to any product or part which has been modified, altered, disassembled or repaired in the field. This limited express warranty does not cover any cosmetic issues, such as scratches, dents, marring, fading of colors or discoloration.

EXCEPT AS EXPRESSLY SET FORTH ABOVE, AND SUBJECT TO THE LIMITATION OF LIABILITY BELOW, REGO MAKES NO OTHER WARRANTY, AND EXPRESSLY DISCLAIMS, ANY EXPRESS OR IMPLIED WARRANTIES, INCLUDING BUT NOT LIMITED TO THE IMPLIED WARRANTIES OF MERCHANTABILITY AND FITNESS FOR A PARTICULAR PURPOSE AND AGAINST HIDDEN OR LATENT DEFECTS, WITH RESPECT TO ITS PRODUCTS AND PARTS, WHETHER USED ALONE OR IN A COMBINATION WITH OTHERS. REGO DISCLAIMS ALL WARRANTIES NOT STATED HEREIN.

This limited express warranty is given by Engineered Controls International, LLC, of 100 RegO Drive Elon, N.C. 27244 USA, (336) 449-7707.

LIMITATION OF LIABILITY

RegO total liability for any and all losses and damages arising out of any cause whatsoever shall in no event exceed the purchase price of the products or parts in respect of which such a cause arises, whether such cause be based on theories of contract, negligence, strict liability, tort or otherwise. RegO shall not be liable for incidental, consequential or punitive damages or other losses. RegO shall not be liable for, and buyer assumes liability for all personal injury and property damage connected with the handling, transportation, possession, further manufacture, other use or resale of products, whether used alone or in combination with any other products or material. From time to time buyers might call to ask RegO for technical advice based upon limited facts disclosed to RegO. If RegO furnishes technical advice to buyer, whether at buyer's request, with respect to application, further manufacture or other use of the products and parts, RegO shall not be liable for such technical advice provided to buyer by any third party and buyer assumes all risk of such advice and the results thereof.

NOTE:

Some states do not allow the exclusion or limitation of incidental, consequential or punitive damages, so the above limitation or exclusion may not apply to you. This warranty gives you specific legal rights, and you may have other rights that vary from state to state. The portions of this limited express warranty and limitation of liability shall be considered severable and all portions which are not disallowed by applicable law shall remain in full force and effect. The benefits given by the limited express warranty above are in addition to any other rights and remedies to which you may be entitled by law.

NOTE TO AUSTRALIAN PURCHASERS:

The following applies if you purchased this product as a "consumer" as defined in the Australian Consumer Law. Our goods come with guarantees that cannot be excluded under the Australian Consumer Law. You are entitled to a replacement or refund for a major failure and compensation for any other reasonably foreseeable loss or damage. You are also entitled to have the goods repaired or replaced if the goods fail to be of acceptable quality and the failure does not amount to a major failure. Information regarding how to return a product and make a claim under this limited express warranty is set forth below. Nothing in this document purports to modify or exclude your rights if any under the Australian Consumer Law, or other laws which cannot be lawfully be modified or excluded.

NOTICE TO USERS OF PRODUCTS

The limited express warranty stated above is a factory warranty to the first purchasers of RegO products. Since most users have purchased these products from RegO distributors, to make a claim under this limited express warranty the user must, within 30 days after the user's discovery of what the user believes is a defect, notify in writing the distributor from whom he purchased the product or parts, and return the product or parts (at the user's expense) to that distributor. The distributor may or may not at the distributor's option, choose to submit the product or parts to RegO, pursuant to its limited express warranty. Failure by buyer to give such written notice within 30 days shall be deemed an absolute and unconditional waiver of buyer's claim for such defects. Acceptance of any alleged defective product or parts by RegO distributor for replacement or repairs under terms of RegO limited express warranty in no way obligates RegO to the terms of the above warranty. Because of a policy of continuous product improvement, RegO reserves the right to change designs, materials or specification without notice.

Except as expressly set out above, RegO makes no warranties in relation to RegO products and RegO's liability in respect of any allegedly defective product is limited to the cost of replacing or repairing the product.

100 RegO Drive, Elon, N.C. 27244 U.S.A. Phone +1 (336) 449-7707 Fax (336) 449-6594 www.regoproducts.com RegO is a registered trademark of Engineered Controls International, LLC.

Foreword

This catalog describes a complete line of equipment available from RegO® for use with Liquid Propane (LP)-Gas and anhydrous ammonia (NH₃). The following points are important to know for proper use of the catalog:

1. Illustrations and drawings of individual products are representative of “product groups” and all products within a product group are similar in construction.
2. Materials used for construction of products in this catalog are suitable for rated service pressure at temperatures of -40°F to +165°F, unless otherwise specified.
3. Products in this catalog are only intended for use in LP-Gas and/or anhydrous ammonia service as follows.
 - a. “A” or “AA” prefix — Products with this prefix are suitable for NH₃ service (i.e., contain no brass parts).
 - b. “AA” prefix on relief valves — These valves are NOT suitable for use with LP-Gas service. These are of partial aluminum materials and are listed by Underwriters Laboratories (UL) for NH₃ service only.
 - c. All other products including “A” prefix are suitable for use with LP-Gas & NH₃ service.
 - d. “SS” prefix—Hydrostatic relief valve with this prefix are suitable for NH₃ and LP-Gas service (i.e., they have stainless steel materials).
4. We manufacture valves and adapters designed to be used on LP-Gas and Anhydrous Ammonia systems, we do not design systems or consult in system design. For this type of information consult a professional Engineer.

Caution

Do not use any product contained in this catalog with any service commodity other than LP-Gas or NH₃. If you have a need for use of another application, contact RegO, 100 RegO Drive, Elon, NC 27244, (336) 449-7707 ecii@regoproducts.com before proceeding.

Proper application, installation and maintenance of products in this catalog are essential. Users of these products should obtain further information if there are any doubts or questions.

Warning

All RegO products are mechanical devices that will eventually become inoperative due to wear, corrosion and aging of components made of materials such as rubber. The environment and conditions of use will determine the safe service life of these products. Periodic inspection and maintenance are essential to avoid serious injury and property damage.

Many RegO products are manufactured for storage, transport, transfer and use of toxic flammable and dangerous liquids and gases. Such substances should be handled by experienced and trained personnel only, using accepted governmental and industrial safety procedures. Never vent LP-Gas near any possible source of ignition.

Notice

Installation, usage, and maintenance of all RegO products must be in compliance with all RegO instructions as well as requirements and provisions of NFPA #54, NFPA#58, DOT, ANSI, and all applicable federal, state, provincial and local standards, codes, regulations, and laws.

Inspection and maintenance on a periodic basis is essential. Installation and maintenance should be performed only by qualified personnel.

Be sure all instructions are read and understood before installation, operation and service.

Filters

RegO LP-Gas equipment is designed to operate in a system free from contamination. A variety of in-line filters are commercially available to the LP-Gas industry for installation in domestic systems.

The use of an in-line filter should be considered when other system components may be unclean and the system contaminated by rust, scale, dirt, debris or other foreign material.

RegO Multivalve® Assemblies

General Information

RegO Multivalve® assemblies were pioneered in the 1930's. By combining several valve functions in one unit, Multivalve® assemblies made possible new and more practical tank designs (fewer openings and smaller, less cumbersome protective hoods). They received immediate acceptance.

The Multivalve® assembly design has kept pace with changing industry needs over the years. They are as popular as ever; still keeping fabricating costs down and reducing operating expenses for the LP-Gas dealer.

RegO Multivalve® assemblies Reduce the Cost of Fabrication by

- Combining several valve functions in one less expensive body.
- Reducing the number of threaded openings in ASME containers.
- Diminishing the size and cost of protective hoods.
- Providing generous sized wrenching bosses for quick, easy installation.

RegO Multivalve® assemblies Reduce LPG Dealer Expenses by

- Permitting on-site filling of 100 lb. to 420 lb. DOT cylinders, thus eliminating cylinder return and interrupted customer service.
- Providing well-placed hose connections for easy filling.
- Allowing ample space for secure attachment and easy removal of the regulator.
- Providing substantial savings of bonnet repairs on valves with the MultiBonnet® assembly.

RegO Multivalve® assemblies Satisfy Customer Demands for Tough, Safe Equipment with These Features

Heavy-Duty Valve Stem Seals —

- Tapered nylon disc in a fully confined seat resists deterioration and provides hand-tight closings over a long service life.

Comprehensive Testing —

- Every Multivalve® assembly must pass a stringent underwater leakage test prior to shipment.
- Multivalve® assemblies with pressure relief valves are individually tested and adjusted to ensure proper pressure settings.
- Those equipped with excess flow checks are tested for compliance with published closing specifications and for leakage after closing.

Pressure Relief Valves and Other Devices —

- Multivalve® assemblies equipped with integral pressure relief devices employ full-capacity, "pop-action" reliefs with set pressures of 250 psig for ASME use and 375 psig for DOT cylinders.

Double Back-Check Filler Valves —

- Multivalve® assemblies with filling connections have double backcheck safety. If the upper check ceases to function, the lower stand-by check will continue to protect the filling connection from excessive leakage.

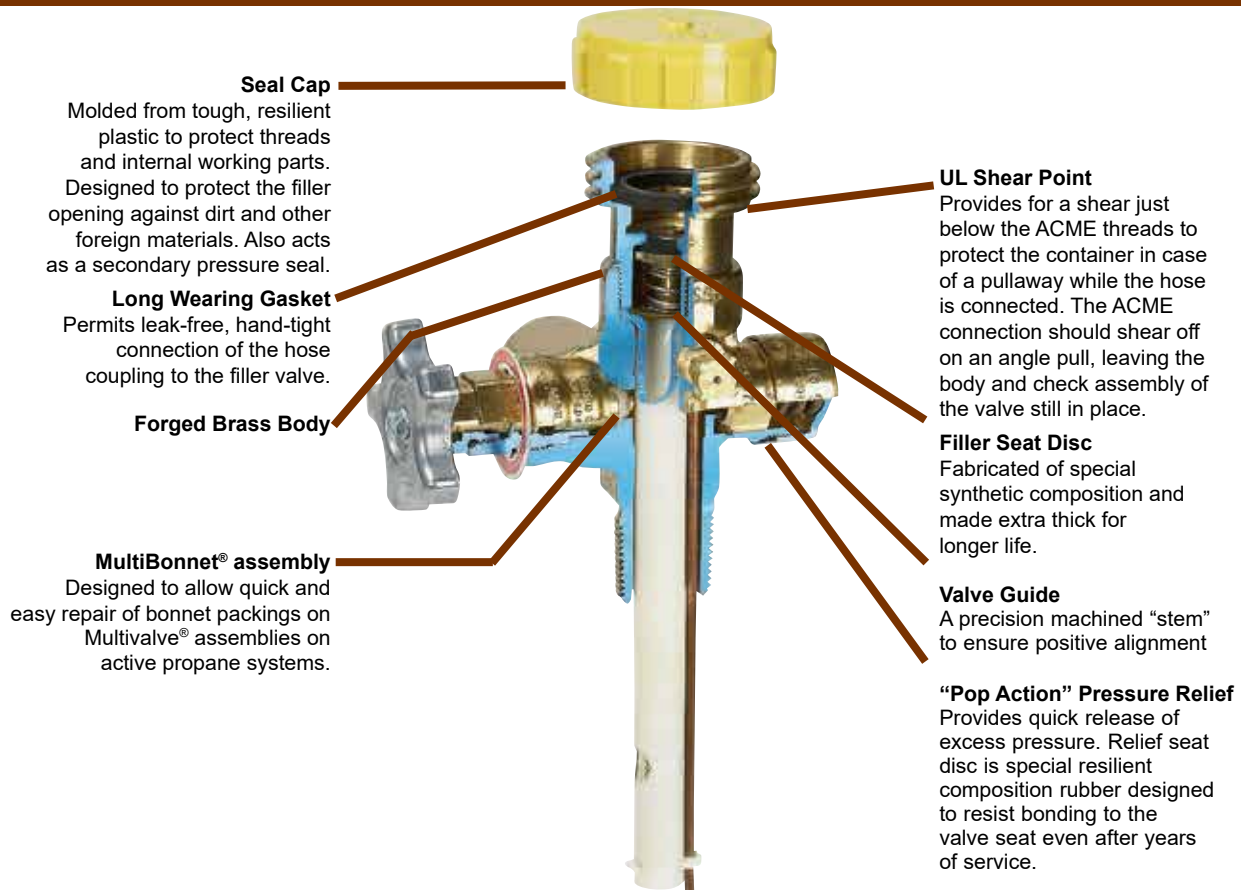
Ease of Maintenance —

- Standardization of parts makes it possible for one repair kit to maintain the bonnet assemblies of RegO cylinder valves, service valves, motor fuel valves, and Multivalve® assemblies.

RegO Multivalve® assemblies fit every LP-Gas need.

- Wide selection of Multivalve® assemblies for domestic, commercial, and industrial needs are available.
- Multivalve® assemblies may be ordered with pressure relief, liquid level tube, filler valve, vapor equalizing valve, internal pipe connections, liquid filling and withdrawal connections, and ¼" NPT tapped opening for pressure gauge with or without steel plug.

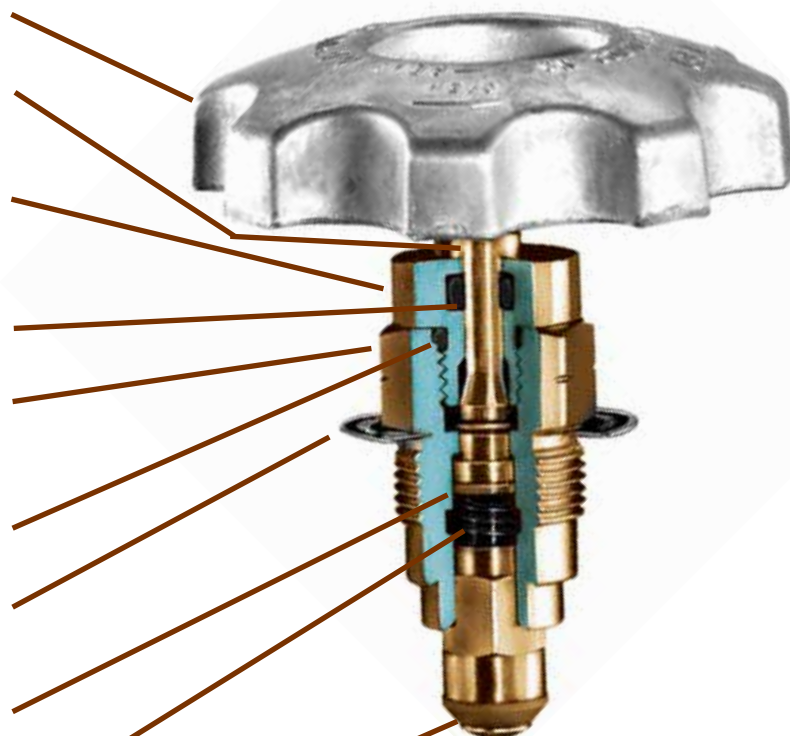
Design Features of RegO Multivalve® Assemblies



RegO MultiBonnet® Assemblies

Design Features of the MultiBonnet® assembly

- Handwheel**
Aluminum die cast handwheel.
- Non-Rising Stem**
Designed to allow easy backseating and long service life.
- Upper Packing Assembly**
Contains both internal and external o-rings. Provides leak resistant performance.
- Internal O-ring**
- Lower Bonnet and Stem Assembly**
Machined brass construction offers durability to bonnet design.
- External O-ring**
- Nameplate**
Provides easy identification of the RegO MultiBonnet® assembly
- Teflon Backseat**
Provides for upper packing isolation when valve is fully open.
- Machined Double Lead Threads**
Provides for quick opening and closing of the valve.
- Shut-off Seat Disc**
Tapered nylon disc is retained in a fully confined seat that helps ensure positive shut-offs.



Application

The MultiBonnet® assembly is designed to allow quick and easy repair of bonnet packings in certain Multivalve® assemblies and service valves on active propane systems. It allows you to repair valve bonnet stem o-ring leaks in minutes, without interrupting gas service to your customers.

- Eliminates the need to evacuate tanks or cylinders to repair the MultiBonnet® assembly packing.
- Two section design allows repair of MultiBonnet® assemblies on active propane systems without interruption in gas service or shutting off appliances downstream. This helps to prevent time consuming relighting of pilots, special appointments, and call backs.
- Cost of replacing the MultiBonnet® assembly packing is only 1/3 as much as replacing a complete bonnet assembly—not including time cost savings, which can be substantial.

- Available on certain new Multivalve® assemblies and service valves as well as repair assemblies for many existing RegO valves.
- UL listed as a component of valve assembly.

Here's How The MultiBonnet® assembly Works

- When the valve is fully open, only the lower stem will rise and backseat against the teflon washer which isolates the upper packing.
- This allows you to remove the upper packing nut, which contains the o-rings, and replace it while the valve is fully open and gas service not interrupted.

ASME Multivalve® Assemblies for Vapor Withdrawal G8475RL Series Valves with Presto-Tap® Valves PG8475 Series

Application

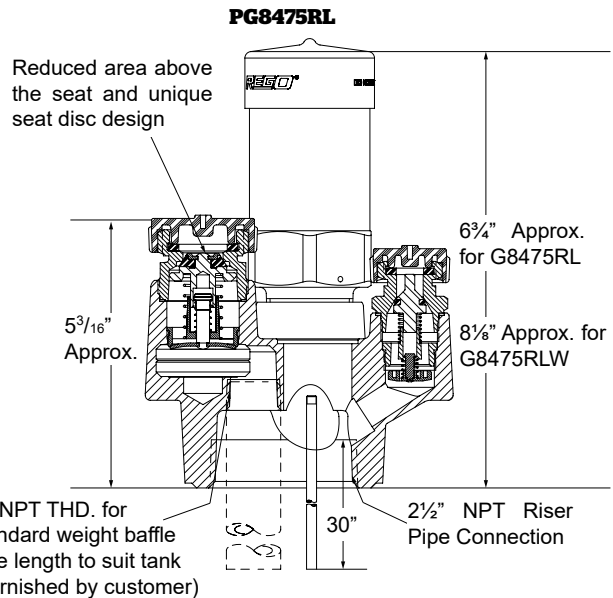
These Multivalve® assemblies are designed for use in single opening ASME containers equipped with a 2½" M. NPT riser. They can be used with underground ASME containers up to 639 sq. ft. surface area, and above ground ASME containers up to 192 sq. ft. surface area. A separate opening is required for liquid withdrawal. The MultiBonnet® assembly is standard on this valve. The 8474L-50L Extended Filler Valve Kit is designed to extend the filler valve section upward, when it is necessary to allow for an extended filler connection.

Features

- The most complete Multivalve® assembly in the LP-Gas industry.
- Combines low emission double back check filler valve, vapor equalizing valve, pressure relief valve, service valve, fixed liquid level gauge, "junior" sized float gauge flange opening and a plugged pressure gauge opening.
- Double back check filler valve is low emission, 2.13cc at disconnection with no reduction in fill rates.
- **Designed for installation of a ⅝" FNPT pressure gauge or pressure gauge connection. The pressure test port will communicate to the downstream side of the service valve.**
- **PG8475RL Version: With the service valve closed the pressure test/Presto-Tap® port is isolated from the container.** This will allow a high pressure leak test to be conducted without disconnecting the pigtail from the service valve. For more information see page C12.
- Vapor equalizing valve with excess flow has increased capacity matched to the filler valve.
- Internal threads accommodate 2½" M. NPT riser pipe connection and a ¾" F. NPT connection for a customer furnished liquid baffle tube.
- The MultiBonnet® assembly allows quick and easy repair of bonnet.

Materials

Body	Forged Brass
Handwheel.....	Aluminum Die Cast
Valve Stems.....	Brass
O-Rings	Resilient Rubber
Seat Disc (shut-off valve)	Nylon
Seat Disc (other).....	Resilient Rubber
Relief Spring.....	Stainless Steel



Part Number	Approximate Filling Rate Liquid Flow, GPM			
	Pressure Drop Across Valve			
	10 PSIG	25 PSIG	50 PSIG	100 PSIG
G8475RL				
G8475RLW	42	72	98	125
PG8475RL				

Ordering Information

Part Number*	Container Connection	Service Connection	Filling Connection	Relief Valve Height	Vapor Equalizing Connection		Float Gauge Flange Opening	Fixed Liquid Level Vent Valve	Dip Tube Length	Pressure Relief Valve			Ready To Go™		
					Size	UL Listed Closing Flow				Setting	Part Number	UL Flow Capacity SCFM		Pipe-Away Adapter	
G8475RL	2½" F. NPT	F. POL (CGA 510)	1¾" M. ACME	6¾"	1¼" M. ACME	4200 CFH @ 100 PSIG	Fits "JUNIOR" size	Standard	30"*	250 PSIG	M3131G	2020 SCFM, air	3131-10 (1" F.NPT)	Plugged	
DG8475RL														#72 Low Emission	Yes
PG8475RL														Standard	
DP8475RL														#72 Low Emission	
G8475RLW				8½"	Standard	MV3132G	3995 SCFM, air	3132-10 (1¼" F.NPT)	Plugged						

*Dip tube not installed, may be cut by customer to desired length.

ASME Multivalve® Assemblies® for Vapor Withdrawal 8593AL

Application

These Multivalve® assemblies provide vapor withdrawal and filling of ASME containers. A separate pressure relief valve is required in addition to this valve. The MultiBonnet® assembly is standard on this valve.

Features

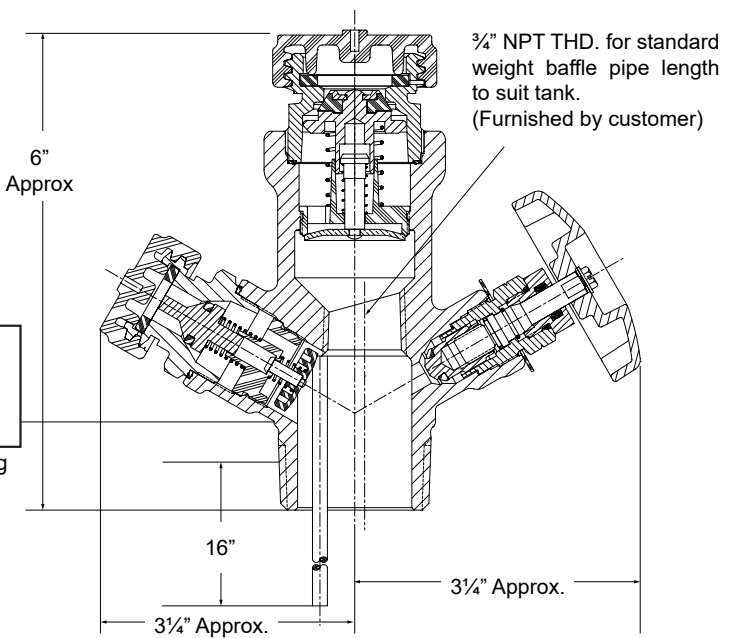
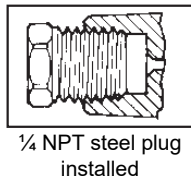
- Combines low emission double back check filler valve, vapor equalizing valve, service valve, fixed liquid level and a plugged pressure gauge opening.
- Double back check filler valve is low emission, 2.13cc at disconnection with no reduction in fill rates.
- Includes plugged, ¼" F. NPT gauge boss.
- "Y" shape configuration allows for ease of operation with all valves and gauges easily accessible at all times.
- Large 2 1/16" hex wrenching boss on center column provides ease of installation in tank coupling.
- MultiBonnet® assembly allows quick and easy repair of bonnet.



8593AL

Materials

Body	Forged Brass
Handwheel.....	Aluminum Die Cast
Valve Stem	Brass
O-Ring	Resilient Rubber
Seat Disc (shut-off valve)	Nylon
Seat Discs (other).....	Resilient Rubber



Liquid Filling Rates

Part Number	Approximate Filling Rate Liquid Flow, GPM			
	Pressure Drop Across Valve			
	10 PSIG	25 PSIG	50 PSIG	100 PSIG
8593AL16.0	42	72	98	125

Ordering Information

Part Number	Container Connection	Service Connection	Filling Connection	Vapor Equalizing Connection		Fixed Liquid Level Vent Valve Style	Dip Tube Length	For Use In Containers w/ Surface Area Up To:
				Connection Size	UL Listed Closing Flow			
8593AL16.0	1 1/2" M. NPT	F. POL (CGA 510)	1 1/4" M. ACME	1 1/4" M. ACME	4200 CFH at 100 PSIG	Knurled	16"*	**

*Dip tube not installed, may be cut by customer to desired length.

**Since these Multivalve® assemblies have no integral pressure relief valves, they can be used on any ASME container with an independent relief device sufficient for that tank's capacity.

DOT Multivalve® Assemblies for Liquid Withdrawal 8555DL

Application

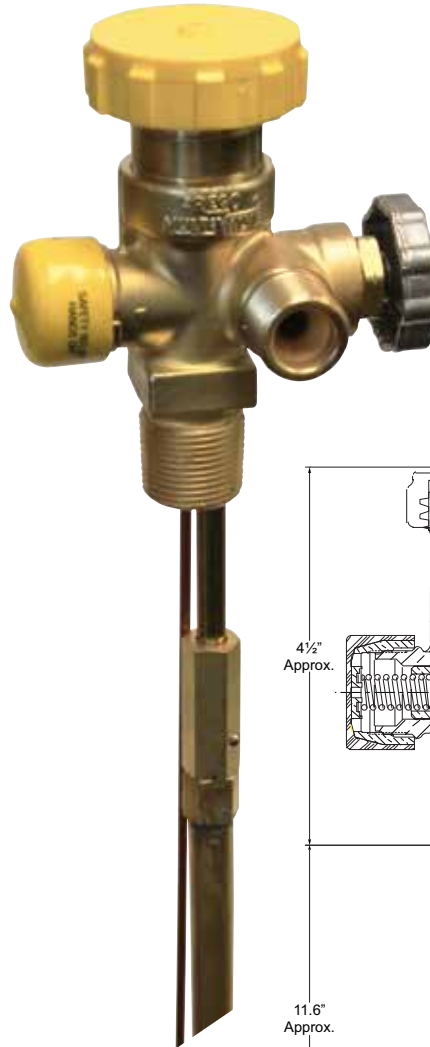
These Multivalve® assemblies permit liquid withdrawal from DOT cylinders with up to 100 lbs. propane capacity. They eliminate unnecessary cylinder handling when servicing high volume loads and allow on-site filling into the vapor space without interrupting gas service.

Features

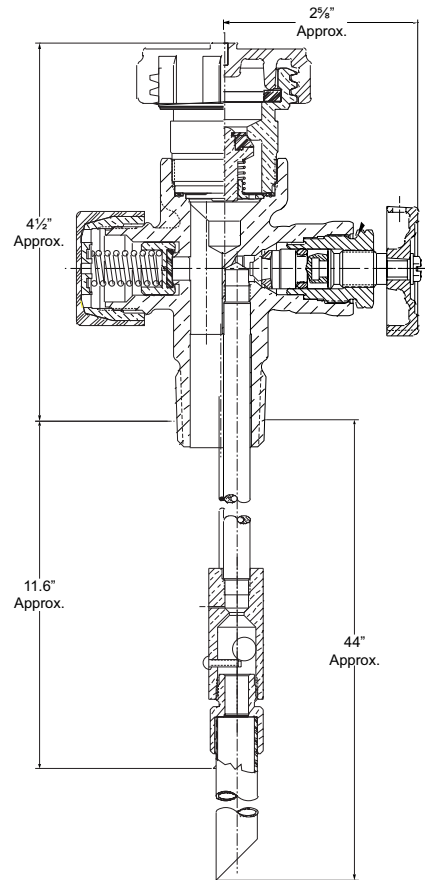
- Incorporates service valve, high capacity filler valve with integral back check, fixed liquid level gauge, liquid withdrawal with excess flow check and pressure relief valve in one single unit.
- CGA 555 service connection minimizes accidental connection to vapor service systems.
- Furnished with 44" long, 1/2" O.D. brass liquid withdrawal tube.
- Liquid withdrawal tube incorporates a ball check excess flow valve that opens by allowing vapor, not liquid, to equalize pressure.
- 1 1/8" wrenching flats.

Materials

Body	Forged Brass
Handwheel.....	Aluminum Die Cast
Valve Stems.....	Brass
O-Rings	Resilient Rubber
Seat Disc (shut-off valve)	Nylon
Seat Disc (others).....	Resilient Rubber
Relief Spring.....	Stainless Steel



8555DL



Liquid Filling Rates

Part Number	Approximate Filling Rate Liquid Flow, GPM			
	Pressure Drop Across Valve			
	10 PSIG	25 PSIG	50 PSIG	100 PSIG
****8555DL11.6	8	23	34	42

Ordering Information

Part Number	Container Connection	Service Connection	Filling Connection	Fixed Liquid Level Vent Valve	Dip Tube Length w/ Deflector	Liquid Withdrawal Tube Length	Pressure Relief Valve Setting	For Use In Cylinders w/ Propane Capacity Up To:	Liquid Closing Flow (LP-Gas)***
8555DL11.6	3/4" M. NGT	CGA 555*	1 1/4" M. ACME	Standard	11.6"	44"	375 PSIG	100 lbs. **	1.7 GPM
D8555DL11.6				#72 Low Emission					

* Use adapter 12982 to connect to pipe threads.

** Per CGA Pamphlet S-1.1.

*** To ensure proper functioning and maximum protection from integral excess flow valves, the cylinder valve should be fully opened and backseated when in use.

DOT & ASME Multivalve® Assemblies for Vapor Withdrawal 6555R, 8555D and 8555R Series

Application

These Multivalve® assemblies permit vapor withdrawal. They allow for container filling without interrupting gas service.

The 6555R Series is designed for ASME containers with up to 25 ft² surface area or 60 gallons water capacity.

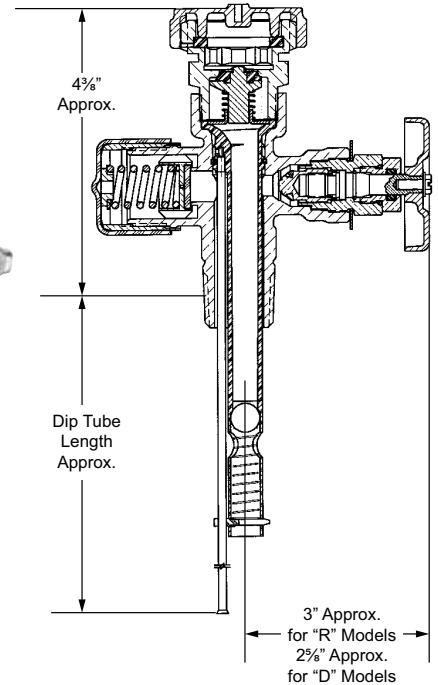
The 8555D and 8555R Series are designed for DOT cylinders with up to 200 lbs. propane capacity.

Features

- Incorporates service valve, high capacity filler valve with integral back-check, fixed liquid level gauge and pressure relief valve in one single unit.
- Filler Valve is high capacity with integral back check.
- Heavy duty O-ring stem seal provides positive leak proof seal.
- Tapered nylon shut-off seat disc in fully confined seat ensures easy, leak-free, positive shut-off.
- 1½" wrenching flats.
- The MultiBonnet® assembly option allows quick and easy repair of bonnet.



8555R



Materials

Body Forged Brass
 Handwheel..... Aluminum Die Cast
 Valve Stems..... Brass
 O-Rings Resilient Rubber
 Seat Disc (shut-off valve) Nylon
 Seat Disc (others)..... Resilient Rubber
 Relief Spring Stainless Steel

Liquid Filling Rates

Part Number	Approximate Filling Rate Liquid Flow, GPM			
	Pressure Drop Across Valve			
	10 PSIG	25 PSIG	50 PSIG	100 PSIG
**6555D Series	8	23	34	42
**6555R Series				
**8555D Series				
**8555R Series				

Ordering Information

Part Number	Bonnet Style	Application	For Use In Containers with Size Up To:	Dip Tube Length w/ Deflector	Container Connection	Service Connection	Filling Connection	Fixed Liquid Level Vent Valve	Pressure Relief Valve		
									Setting	Flow Capacity*	
									UL Listing	ASME	
6555R10.6	MultiBonnet® assembly	ASME Containers	25 ft ² surface area or 60 gallons water capacity	10.6	¾" M. NGT	F. POL (CGA 510)	1¼" M. ACME	Standard	250 PSIG	793 SCFM, air	700 SCFM, air
6555R11.6				11.6							
6555R12.0				12.0							
D6555R10.6				10.6							
D6555R11.6				11.6							
D6555R12.0	12.0										
8555D10.6	Standard	DOT Cylinders	200 lbs. Propane**	10.6	¾" M. NGT	F. POL (CGA 510)	1¼" M. ACME	Standard	375 PSIG	n/a	n/a
8555D11.6				11.6							
D8555D10.6				10.6							
D8555D11.6				11.6							
8555R10.6				10.6							
8555R11.6	11.6										
D8555R10.6	MultiBonnet® assembly	ASME Containers	25 ft ² surface area or 60 gallons water capacity	10.6	¾" M. NGT	F. POL (CGA 510)	1¼" M. ACME	Standard	250 PSIG	793 SCFM, air	700 SCFM, air
D8555R11.6				11.6							

*Per CGA Pamphlet S-1.1.

DOT and ASME Multivalve® Assemblies for Vapor Withdrawal 6532, 6533, 6542, 6543 Series and PT6542, PT6543 Series with Presto-Tap® Valve

Application

These Multivalve® assemblies permit vapor withdrawal from ASME containers up to 50 sq. ft. surface area and DOT containers up to 420 lbs. propane capacity. They allow on-site cylinder filling without interrupting gas service.

Features 6542 and 6543

- Incorporates high capacity filler valve with double back checks, service valve, fixed liquid level gauge, pressure relief valve and built-in baffle tube into one compact unit.
- Higher filling capacity is combined with back check protection by placing the secondary back check at the bottom of the baffle tube, creating a larger flow area through the body.
- Pre-drilled hole in 1 1/4" wrenching flat accepts a drive screw for attaching relief cap and chain.
- With the Service Valve closed the Pressure Test / Presto-Tap® port is isolated from the container. This will allow a high pressure leak test to be conducted without disconnecting the pigtail from the service valve. For more information, see page C12 on this feature.

Features 6532 and 6533

- Similar but smaller than the 6542 and 6543, these are generally used for replacement on existing containers with 3/4" NGT openings.
- Secondary back check placed in the body of the valve to help minimize reverse flow in the event the upper back check shears off or requires replacement.
- The MultiBonnet® assembly option allows quick and easy repair of bonnet.

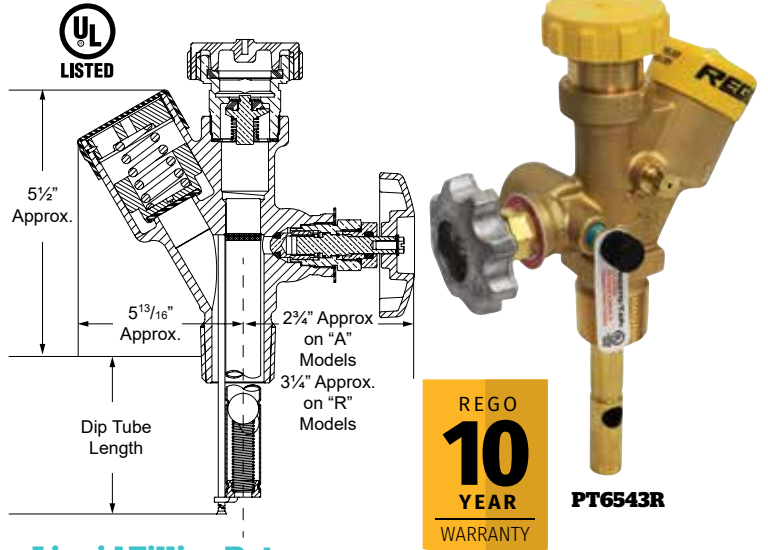
Materials

Body Forged Brass
 Handwheel..... Aluminum Die Cast
 Valve Stems..... Brass
 O-Rings Resilient Rubber
 Seat Disc (shut-off valve) Nylon
 Seat Disc (others)..... Resilient Rubber
 Relief Spring..... Stainless Steel

Ordering Information

Part Number	Bonnet Style	Application	Container Connection	Service Connection	Filling Connection	Fixed Liquid Level Vent Valve Style	Dip Tube Length with Deflector	Pressure Relief Valve Setting	For Use In Cylinders w/Propane Capacity Up To:**	UL Flow Capacity @ 120% of set pressure SCFM (air)	Ready To Go™
6532A12.0	Standard	ASME*	3/4" M. NGT	F. POL (CGA 510)	1 3/4" M. ACME	Knurled	12.0"	250 PSIG	-	1180	Plugged
6532R12.0	MultiBonnet® assembly										
6542A12.0	Standard		1530								Plugged
PT6542A12.0	MultiBonnet® assembly										
6533A10.5	Standard	DOT	3/4" M. NGT	F. POL (CGA 510)	1 3/4" M. ACME	Knurled	10.5"	375 PSIG	420 lbs. Propane	-	Plugged
6533R10.5	MultiBonnet® assembly										
6533A11.7	Standard		1" M. NGT								Plugged
PT6543A11.1	MultiBonnet® assembly										
6543A11.1	Standard	11.1"	Plugged								
PT6543A11.1	MultiBonnet® assembly			Yes							
6543R11.1	Standard				Plugged						
PT6543R11.1	MultiBonnet® assembly					Yes					
6543A11.7	Standard	11.7"	Plugged								
PT6543A11.7	MultiBonnet® assembly			Yes							
6543R11.7	Standard				Plugged						
PT6543R11.7	MultiBonnet® assembly					Yes					

** Per CGA Pamphlet S-1.1.



Liquid Filling Rates

Part Number	Approximate Filling Rate -- Liquid Flow, GPM			
	Pressure Drop Across Valve			
	10 PSIG	25 PSIG	50 PSIG	100 PSIG
6532A12.0/6532R12.0	11	16	23	28
6542A12.0/6542R12.0	23	32	46	57
6533A10.5/6533R10.5	11	16	23	28
6533A11.7/6533R11.7				
6543A11.1/6543R11.1	23	32	46	57
PT6542A12.0/6542R12.0				
PT6543A11.1/6543R11.1	23	32	46	57
PT6543A11.7/6543R11.7				

ASME Multivalve® Assemblies for Vapor Withdrawal 7556R

Application

These compact Multivalve® assemblies are especially suited for vapor withdrawal of ASME containers where compact groupings of components are necessary. Separate filler valves and pressure relief valves are required.

Features

- Combines service valve, vapor equalizing valve with excess flow, fixed liquid level gauge and plugged pressure gauge opening in one unit.
- Rugged, 1" wrenching boss on center column minimizes possible damage during installation.
- Low profile design extends only 3" above the container boss, allowing use of smaller domes.
- "Y" shape configuration allows for ease of operation with all valves and gauges easily accessible at all times.
- Designed for installation of a 1/8" M.NPT pressure gauge or pressure gauge connection. The pressure test port will communicate to the downstream side of the service valve.
- MultiBonnet® assembly allows quick and easy repair of bonnet.
- **PT7556R version: With the service valve closed the pressure test/Presto-Tap® port is isolated from the container.** This will allow a high pressure leak test to be conducted without disconnecting the pigtail from the service valve. For more information see page C12.

Materials

Body Forged Brass
 Handwheel..... Aluminum Die Cast
 Valve Stems..... Brass
 O-Rings Resilient Rubber
 Seat Disc (shut-off valve) Nylon
 Seat Disc (others)..... Resilient Rubber



PT7556 R Multivalve® Assembly

Especially suited for vapor withdrawal of ASME containers where compact groups of components are necessary. Separate filler valves and pressure relief valves are required

Ordering Information

Part Number	Container Connection	Service Connection	Vapor Equalization Connection		Fixed Liquid Level Vent Valve	Dip Tube Length	Ready to Go™
			Connection Size	UL Listed Closing Flow			
7556R12.0	3/4" M. NGT	F. POL (CGA 510)	1 1/4" M. ACME	4200 CFH @ 100 PSIG	Standard	12"***	Plugged
PT7556R12.0							Yes
D7556R12.0					#72 Low Emission		Plugged
DPT7556R12.0							Yes

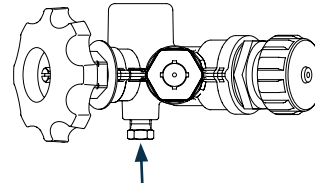
* Since these Multivalve® assemblies have no integral pressure relief valves, they can be used on any ASME container with an independent relief device sufficient for that tank's capacity.
 ** Other tube lengths available.



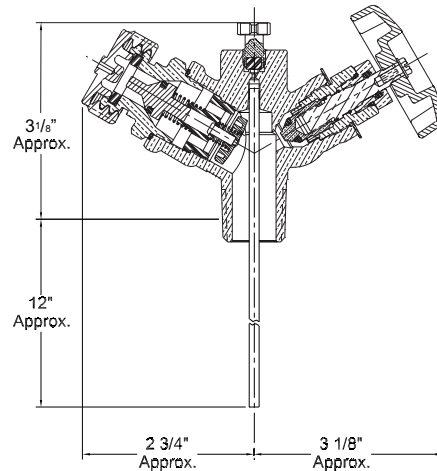
PT7556R

PT7556R version with the service valve closed the pressure test port will be isolated from the container. This will allow a high-pressure leak test to be conducted without disconnecting the pigtail from the service valve.

7556R Series with 1/8" FNPT pressure test port.

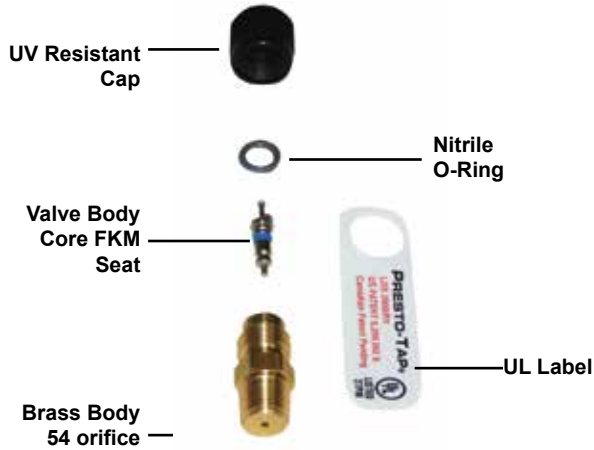


1/8" F.NPT Pressure Test Port is isolated from the container when the service valve is closed.



DOT and ASME Multivalve® Assemblies Info Page

Patented LDS200RV Design Features



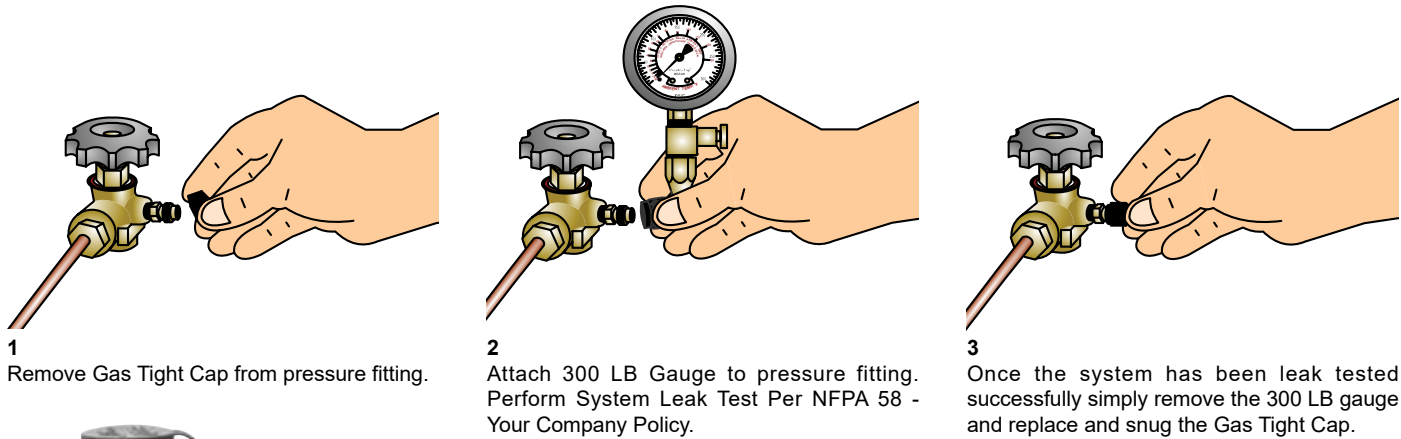
US Patent # 6,209,562

The Patented Presto-Tap® LDS200RV pressure fitting is designed to be one of the most cost efficient and simplest methods to quickly and easily perform system pressure checks.

- Patented & UL Listed.
- Provides instant ROI after only one use.
- Will reduce fugitive emissions by up to 90%.
- Can be installed into valves, regulators & appliances.
- Eliminates the need to break the system to perform a leak test.

Presto-Tap® Valve System Leak Test Procedure

The Presto-Tap® fitting installed into the test port located on the downstream side of the service valve is designed to allow quick and easy access when performing a system leak test. It eliminates the need to break the system to install expensive test block apparatus. The following PT9102R series service valve shown here, illustrates how to use the Presto-Tap® fitting to perform a high-pressure system leak test. This same procedure applies to the PT7556R, PG8475, PT6542 and PT6543 series valves not shown here that carry the same feature.



1 Remove Gas Tight Cap from pressure fitting.

2 Attach 300 LB Gauge to pressure fitting. Perform System Leak Test Per NFPA 58 - Your Company Policy.

3 Once the system has been leak tested successfully simply remove the 300 LB gauge and replace and snug the Gas Tight Cap.



PG8475RL Series



PT7556 Series



PT9102R Series



**PT6543 Series
PT6542 Series**

Only trained qualified personnel should perform leak testing. As for any LP-Gas installation, service or repair it is required that time be taken to ensure safety and all federal, state and local regulations are met.

Adhesive Warning Label

903-500

The following warning information, Part Number 903-500, is included with each shipment of Multivalve® assemblies to the first purchaser of the product from the factory.

This information is intended to be forwarded throughout the product distribution chain. Additional copies are available from RegO and Authorized Product Distributors.

Part Number	
903-500	Adhesive Label Primarily for Cylinder and Service Valves

DANGER	READ THIS FIRST	WARNING
<p>LP-GAS IS EXTREMELY FLAMMABLE AND EXPLOSIVE AVOID SERIOUS INJURY AND PROPERTY DAMAGE. IF YOU SEE, SMELL OR HEAR ESCAPING GAS, EVACUATE AREA IMMEDIATELY! CALL YOUR LOCAL FIRE DEPARTMENT! DO NOT ATTEMPT TO REPAIR. DO NOT STORE IN BUILDING OR ENCLOSED AREA. DO NOT USE ON HOT AIR BALLOONS OR AIRCRAFT.</p> <p>Make sure you are thoroughly trained before you attempt any valve installation, maintenance or repair. Improper conditions or procedures can cause accidents resulting in property damage and personal injury.</p> <p>Become thoroughly familiar with NPGA Safety Pamphlet 306 "LP-Gas Regulator and Valve Inspections & Maintenance" and RegO Safety Warnings "LP-Gas Cylinder Valves", "LP-Gas Excess Flow Valves", and "LP-Gas Filler and Hose End Filling Valves" found in the cylinder valve, excess flow valve, and filler valve sections of the L-500 & L-102 Catalogs. Follow their recommendations.</p> <p>Know and understand NFPA Pamphlet 58 "Liquefied Petroleum Gas Code", which is the law in many states. This publication is available from NFPA, Batterymarch Park, Quincy, MA 02269. Following its requirements is essential in the safe use of LP-Gas. Section 4.4 states: "Persons who transfer liquid LP-Gas, who are employed to transport LP-Gas, or whose primary duties fall within the scope of this code shall be trained in proper handling procedures. Refresher training shall be provided at least every three years and shall be documented."</p> <p>Make sure this valve is the proper one for this installation. Avoid misusing LP-Gas equipment.</p> <p>Apply thread joint compound compatible with LP-Gas on valve external threads only. Make sure compound never comes into contact with other parts of the valve.</p> <p>Install valves by applying force to wrenching flats only.</p> <p>Tighten pipe threads approximately 1 to 1½ turns beyond the hand-tight insertion point using a wrench which avoids damage to other valve parts.</p> <p>Check for damage and proper operation after valve installation. Check that the valve is clean and free of foreign material.</p> <p>Check container-valve connection with a non-corrosive leak detection solution before filling with LP-Gas.</p> <p>Purge container before filling with LP-Gas (refer to the RegO LP-Gas Serviceman's Manual for recommended procedure).</p> <p>Test excess flow check valve for proper operation before placing into service. See NPGA Bulletin 113 for recommended procedure.</p> <p>Check outlet connection make-up for leaks with a non-corrosive leak detection solution when placing into service.</p> <p>RegO Filler Valves: To prevent damage to the internal checks when it is necessary to utilize an unloading adapter, use <u>ONLY</u> RegO 3119A, 3120 and 3121 Unloading Adapters with RegO Filler Valves. Carefully follow the instructions supplied with these unloading adapters.</p> <p>If container is not being placed into service at the present time, insert plug or cap onto the outlet connection.</p> <p>In selecting a label for posting at the installation site, consider RegO part number 901-400 or 903-400 along with your own, NPGA's and others.</p> <p>Remember to instruct the owner/user/customer in safety matters concerning LP-Gas and this equipment. See RegO Safety Warnings "LP-Gas Cylinder Valves", "LP-Gas Excess Flow Valves", and "LP-Gas Filler and Hose End Filling Valves" found in the cylinder valve, excess flow valve, and filler valve sections of the L-500 & L-102 Catalogs.</p>		
<p>RegO requests that this information be forwarded to your customers. Additional copies are available from RegO and your authorized RegO Distributor.</p> <p style="text-align: center;">REGO</p> <p style="text-align: center;">Elon, N.C. 27244 U.S.A. Phone (336) 449-7707 Fax (336) 449-6594 www.regoproducts.com</p> <p style="text-align: right;">Printed in USA 09A-0910-0686 Part number 903-500</p>		

903-500

Section D
Pressure Relief Valves
and Relief Valve Manifolds

D

RegO Limited Express Warranty and Limitation of Liability

10-YEAR LIMITED EXPRESS WARRANTY

NOTICE

Failure to install parts exactly as described in the instructions could result in a product that will not perform properly or satisfactorily. Even if parts are correctly installed, the product might fail to perform properly or satisfactorily if other parts are worn, corroded or dirty. Improper repair can cause leaks and malfunction, which could result in significant bodily injury, including death and/or property damage. Any such use or installation of parts must ONLY be done by experienced and properly trained personnel using accepted governmental and industrial safety procedures. Engineered Controls International, LLC ("RegO") assumes no responsibility or liability for performance of products repaired in the field. It must be clearly understood that the person or organization repairing any product(s) in the field assumes total responsibility for the safe and proper performance of the product.

WARNING

All RegO products are mechanical devices that will eventually become inoperative due to wear, corrosion and aging of components made of materials such as rubber, plastic, etc. The environment and conditions of use will determine the safe service life of these products. Periodic inspection and maintenance are essential to avoid serious injury and property damage. Many RegO products are manufactured components which are incorporated by others on or in other products or systems used for storage, transport, transfer and otherwise for use of toxic, flammable and dangerous liquids and gases. Such substances must be handled by experienced and trained personnel only, using accepted governmental and industrial safety procedures.

LP-Gas is a highly explosive and flammable gas that should never be vented near a possible ignition source.

10-YEAR LIMITED EXPRESS WARRANTY

RegO warrants products and repair kits manufactured by it (other than its Presto-Link and Presto-Tap products) to be free from defects in materials and workmanship under normal use and service for a period of 10 years from the date of manufacture. If within 30 days after buyer's discovery of what buyer believes is a defect, buyer notifies RegO thereof in writing and ships the product (at buyer's expense) to RegO at 100 RegO Drive, Elon, N.C. 27244, RegO, at its option, and within 45 days, will repair, replace F.O.B. point of manufacture, or refund the purchase price of that part or product found by it to be defective. Failure of buyer to give such written notice and return the product within 30 days shall be deemed an absolute and unconditional waiver of any and all claims of buyer arising out of such defect. This limited express warranty does not extend to any product or part that is not installed and used continuously after installation in accordance with RegO's printed instructions, all applicable state and local regulations, and all applicable national standards, such as those promulgated by NFPA, DOT and ANSI. This limited express warranty does not extend to any product or part that has been damaged by accident, misuse, abuse, failure to maintain or neglect, nor does it extend to any product or part which has been modified, altered, disassembled or repaired in the field. This limited express warranty does not cover any cosmetic issues, such as scratches, dents, marring, fading of colors or discoloration.

EXCEPT AS EXPRESSLY SET FORTH ABOVE, AND SUBJECT TO THE LIMITATION OF LIABILITY BELOW, REGO MAKES NO OTHER WARRANTY, AND EXPRESSLY DISCLAIMS, ANY EXPRESS OR IMPLIED WARRANTIES, INCLUDING BUT NOT LIMITED TO THE IMPLIED WARRANTIES OF MERCHANTABILITY AND FITNESS FOR A PARTICULAR PURPOSE AND AGAINST HIDDEN OR LATENT DEFECTS, WITH RESPECT TO ITS PRODUCTS AND PARTS, WHETHER USED ALONE OR IN A COMBINATION WITH OTHERS. REGO DISCLAIMS ALL WARRANTIES NOT STATED HEREIN.

This limited express warranty is given by Engineered Controls International, LLC, of 100 RegO Drive Elon, N.C. 27244 USA, (336) 449-7707.

LIMITATION OF LIABILITY

RegO total liability for any and all losses and damages arising out of any cause whatsoever shall in no event exceed the purchase price of the products or parts in respect of which such a cause arises, whether such cause be based on theories of contract, negligence, strict liability, tort or otherwise. RegO shall not be liable for incidental, consequential or punitive damages or other losses. RegO shall not be liable for, and buyer assumes liability for all personal injury and property damage connected with the handling, transportation, possession, further manufacture, other use or resale of products, whether used alone or in combination with any other products or material. From time to time buyers might call to ask RegO for technical advice based upon limited facts disclosed to RegO. If RegO furnishes technical advice to buyer, whether at buyer's request, with respect to application, further manufacture or other use of the products and parts, RegO shall not be liable for such technical advice provided to buyer by any third party and buyer assumes all risk of such advice and the results thereof.

NOTE:

Some states do not allow the exclusion or limitation of incidental, consequential or punitive damages, so the above limitation or exclusion may not apply to you. This warranty gives you specific legal rights, and you may have other rights that vary from state to state. The portions of this limited express warranty and limitation of liability shall be considered severable and all portions which are not disallowed by applicable law shall remain in full force and effect. The benefits given by the limited express warranty above are in addition to any other rights and remedies to which you may be entitled by law.

NOTE TO AUSTRALIAN PURCHASERS:

The following applies if you purchased this product as a "consumer" as defined in the Australian Consumer Law. Our goods come with guarantees that cannot be excluded under the Australian Consumer Law. You are entitled to a replacement or refund for a major failure and compensation for any other reasonably foreseeable loss or damage. You are also entitled to have the goods repaired or replaced if the goods fail to be of acceptable quality and the failure does not amount to a major failure. Information regarding how to return a product and make a claim under this limited express warranty is set forth below. Nothing in this document purports to modify or exclude your rights if any under the Australian Consumer Law, or other laws which cannot be lawfully be modified or excluded.

NOTICE TO USERS OF PRODUCTS

The limited express warranty stated above is a factory warranty to the first purchasers of RegO products. Since most users have purchased these products from RegO distributors, to make a claim under this limited express warranty the user must, within 30 days after the user's discovery of what the user believes is a defect, notify in writing the distributor from whom he purchased the product or parts, and return the product or parts (at the user's expense) to that distributor. The distributor may or may not at the distributor's option, choose to submit the product or parts to RegO, pursuant to its limited express warranty. Failure by buyer to give such written notice within 30 days shall be deemed an absolute and unconditional waiver of buyer's claim for such defects. Acceptance of any alleged defective product or parts by RegO distributor for replacement or repairs under terms of RegO limited express warranty in no way obligates RegO to the terms of the above warranty. Because of a policy of continuous product improvement, RegO reserves the right to change designs, materials or specification without notice.

Except as expressly set out above, RegO makes no warranties in relation to RegO products and RegO's liability in respect of any allegedly defective product is limited to the cost of replacing or repairing the product.

100 RegO Drive, Elon, N.C. 27244 U.S.A. Phone +1 (336) 449-7707
Fax (336) 449-6594 www.regoproducts.com RegO is a registered trademark of Engineered Controls International, LLC.

Foreword

This catalog describes a complete line of equipment available from RegO® for use with Liquid Propane (LP)-Gas and anhydrous ammonia (NH₃). The following points are important to know for proper use of the catalog:

1. Illustrations and drawings of individual products are representative of “product groups” and all products within a product group are similar in construction.
2. Materials used for construction of products in this catalog are suitable for rated service pressure at temperatures of -40°F to +165°F, unless otherwise specified.
3. Products in this catalog are only intended for use in LP-Gas and/or anhydrous ammonia service as follows.
 - a. “A” or “AA” prefix — Products with this prefix are suitable for NH₃ service (i.e., contain no brass parts).
 - b. “AA” prefix on relief valves — These valves are NOT suitable for use with LP-Gas service. These are of partial aluminum materials and are listed by Underwriters Laboratories (UL) for NH₃ service only.
 - c. All other products including “A” prefix are suitable for use with LP-Gas & NH₃ service.
 - d. “SS” prefix—Hydrostatic relief valve with this prefix are suitable for NH₃ and LP-Gas service (i.e., they have stainless steel materials).
4. We manufacture valves and adapters designed to be used on LP-Gas and Anhydrous Ammonia systems, we do not design systems or consult in system design. For this type of information consult a professional Engineer.

Caution

Do not use any product contained in this catalog with any service commodity other than LP-Gas or NH₃. If you have a need for use of another application, contact RegO, 100 RegO Drive, Elon, NC 27244, (336) 449-7707 ecii@regoproducts.com before proceeding.

Proper application, installation and maintenance of products in this catalog are essential. Users of these products should obtain further information if there are any doubts or questions.

Warning

All RegO products are mechanical devices that will eventually become inoperative due to wear, corrosion and aging of components made of materials such as rubber. The environment and conditions of use will determine the safe service life of these products. Periodic inspection and maintenance are essential to avoid serious injury and property damage.

Many RegO products are manufactured for storage, transport, transfer and use of toxic flammable and dangerous liquids and gases. Such substances should be handled by experienced and trained personnel only, using accepted governmental and industrial safety procedures. Never vent LP-Gas near any possible source of ignition.

Notice

Installation, usage, and maintenance of all RegO products must be in compliance with all RegO instructions as well as requirements and provisions of NFPA #54, NFPA#58, DOT, ANSI, and all applicable federal, state, provincial and local standards, codes, regulations, and laws.

Inspection and maintenance on a periodic basis is essential. Installation and maintenance should be performed only by qualified personnel.

Be sure all instructions are read and understood before installation, operation and service.

Filters

RegO LP-Gas equipment is designed to operate in a system free from contamination. A variety of in-line filters are commercially available to the LP-Gas industry for installation in domestic systems.

The use of an in-line filter should be considered when other system components may be unclean and the system contaminated by rust, scale, dirt, debris or other foreign material.

Safety Warning – LP-Gas Pressure Relief Valves

Purpose

In its continuing quest for safety, RegO is publishing safety warning bulletins explaining the hazards associated with the use, misuse and aging of RegO Products. LP-Gas dealer managers and service personnel must realize that the failure to exercise the utmost care and attention in the installation, inspection and maintenance of these products can result in personal injury and property damage.

The National Fire Protection Association NFPA 58 Liquefied Petroleum Gas Code - 2024 Edition states in Section 4.4 Qualification of Personnel; "Persons whose duties fall within the scope of this code shall be provided with training that is consistent with the scope of their job activities and that includes proper handling and emergency response procedures... Refresher training shall be provided at least every 3 years, initial and subsequent training shall be documented". These "RegO Safety Warnings" may be useful in training new employees and reminding older employees of hazards that can occur. It is recommended that all employees complete the Propane Education Research Council's Certified Employee Training Program.

This Warning Bulletin should be provided to all purchasers of RegO and all personnel using or servicing these products. Additional copies are available from RegO and your Authorized RegO Distributor.

WARNING

What You Must Do:

- **Read This Entire Warning**
- **Install Properly**
- **Inspect Regularly**

Scope

This bulletin applies to pressure relief valves installed on stationary, portable and cargo containers and piping systems utilized with these containers. This bulletin is not intended to be an exhaustive treatment of this subject and does not cover all safety practices that should be followed in the installation and maintenance of LP-Gas systems. Each LP-Gas employee should be provided with a copy of NPGA Safety Pamphlet 306 "LP-Gas Regulator and Valve Inspection and Maintenance" as well as the NPGA "LP-Gas Training Guidebooks" relating to this subject.

Warnings should be as brief as possible. If there is a simple warning, it is:

Inspect pressure relief valves regularly. Replace unsafe or suspect valves immediately. Use common sense.

Inspect Regularly

A pressure relief valve discharges when some extraordinary circumstance causes an over pressure condition in the container. If a pressure relief valve is known to have discharged, the relief valve, as well as the entire system, should be immediately and thoroughly inspected to determine the reason for the discharge. In the case of discharge due to fire, the valve should be removed from service and replaced.

Relief valves should be inspected each time the container is filled but no less than once a year. If there is any doubt about the condition of the valve, it must be replaced.

Eye protection must be worn when performing inspection on relief valves under pressure. Never look directly into a relief valve under pressure or place any part of your body where the relief valve discharge could impact it. In some cases a flashlight and a small mirror are suggested to assist when making visual inspections.

To Properly Inspect A Pressure Relief Valve, Check For:

- 1. A rain cap.** Check protective cap located in valve or at end of pipeaway for a secure fit. Protective caps help protect the relief valve against possible malfunction caused by rain, sleet, snow, ice, sand, dirt, pebbles, insects, other debris and contamination. **REPLACE DAMAGED OR MISSING CAPS AT ONCE AND KEEP A CAP IN PLACE AT ALL TIMES.**
- 2. Open weep holes.** Dirt, ice, paint and other foreign particles can prevent proper drainage from the valve body. **IF THE WEEP HOLES CANNOT BE CLEARED, REPLACE THE VALVE.**
- 3. Deterioration and corrosion on relief valve spring.** Exposure to high concentrations of water, salt, industrial pollutants, chemicals and roadway contaminants could cause metal parts to fail. **IF THE COATING ON THE RELIEF VALVE SPRING IS CRACKED OR CHIPPED, REPLACE THE VALVE.**
- 4. Physical damage.** Ice accumulations and improper installation could cause mechanical damage. **IF THERE ARE ANY INDICATIONS OF DAMAGE, REPLACE THE VALVE.**
- 5. Tampering or readjustment.** Pressure relief valves are factory set to discharge at specified pressures. **IF THERE ARE ANY INDICATIONS OF TAMPERING OR READJUSTMENT, REPLACE THE VALVE.**
- 6. Seat leakage.** Check for leaks in the seating area using a noncorrosive leak detection solution. **REPLACE THE VALVE IF THERE IS ANY INDICATION OF LEAKAGE.** Never force a relief valve closed and continue to leave it in service. This could result in damage to the valve and possible rupture of the container or piping on which the valve is installed.
- 7. Corrosion and contamination. REPLACE THE VALVE IF THERE ARE ANY SIGNS OF CORROSION OR CONTAMINATION ON THE VALVE.**
- 8. Moisture, foreign particles or contaminants in the valve.** Foreign material such as paint, tar or ice in relief valve parts can impair the proper functioning of the valves. Grease placed in the valve body may harden over time or collect contaminants, thereby impairing the proper operation of the relief valve. **DO NOT PLACE GREASE IN THE VALVE BODY. REPLACE THE VALVE IF THERE ARE ANY INDICATIONS OF MOISTURE OR FOREIGN MATTER IN THE VALVE.**
- 9. Corrosion or leakage at container connection.** Check container to valve connection with a non-corrosive leak detection solution. **REPLACE THE VALVE IF THERE IS ANY INDICATION OF CORROSION OR LEAKAGE AT THE CONNECTION BETWEEN THE VALVE AND CONTAINER.**

CAUTION: Never plug the outlet of a pressure relief valve. Any device used to stop the flow of a properly operating pressure relief valve that is venting an overfilled or overpressurized container - raises serious safety concerns!

Replace Pressure Relief Valves In 10 Years Or Less

The safe useful life of pressure relief valves can vary greatly depending on the environment in which they live.

Relief valves are required to function under widely varying conditions. Corrosion, aging of the resilient seat disc and friction all proceed at different rates depending upon the nature of the specific environment and application. Gas impurities, product misuse and improper installations can shorten the safe life of a relief valve.

Predicting the safe useful life of a relief valve obviously is not an exact science. The conditions to which the valve is subjected will vary widely and will determine its useful life. In matters of this kind, only basic guidelines can be suggested. For example, the Compressed Gas Association Pamphlet S-1.1 Pressure Relief Device Standards — Cylinders, section 9.1.1 requires all cylinders used in industrial motor fuel service to have the cylinder's pressure relief valves replaced by new or unused relief valves within twelve years of the date of manufacture of cylinder and within each ten years thereafter. The LP-Gas dealer must observe and determine the safe useful life of relief valves in his territory. The valve manufacturer can only make recommendations for the continuing safety of the industry.

WARNING: Under normal conditions, the useful safe service life of a pressure relief valve is 10 years from the original date of manufacture. However, the safe useful life of the valve may be shortened and replacement required in less than 10 years depending on the environment in which the valve lives. Inspection and maintenance of pressure relief valves is very important. Failure to properly inspect and maintain pressure relief valves could result in personal injuries or property damage.

For Additional Information Read:

- CGA Pamphlet S-1.1 Pressure Relief Standards - Cylinders, Section 9.1.1.
- RegO Catalog L-500.
- RegO Warning # 8545-500.
- NPGA Safety Pamphlet 306 "LP-Gas Regulator and Valve Inspection and Maintenance" and "LP-Gas Training Guidebooks".
- NFPA # 58, "Storage and Handling of Liquefied Petroleum Gases".
- NFPA # 59, "LP-Gases at Utility Gas Plants".
- ANSI K61.1 Safety Requirements for Storage and Handling of Anhydrous Ammonia.

RegO Pressure Relief Valves

Requirements for Pressure Relief Valves

Every container used for storing or hauling LP-Gas and anhydrous ammonia must be protected by a pressure relief valve. These valves must guard against the development of hazardous conditions which might be created by any of the following:

Hydrostatic pressures due to overfilling or the trapping of liquid between two points.

High pressures resulting from exposure of the container to excessive external heat.

High pressures due to the use of incorrect fuel.

High pressures due to improper purging of the container.

Consult NFPA Pamphlet #58 for LP-Gas and ANSI #K61.1 for anhydrous ammonia, and/or any applicable regulations governing the application and use of pressure relief valves.

Operation of Pressure Relief Valves

Pressure relief valves are set and sealed by the manufacturer to function at a specific "start-to-discharge" pressure in accordance with regulations. This set pressure, marked on the relief valve, depends on the design requirement of the container to be protected by the relief valve. If the container pressure reaches the start-to-discharge pressure, the relief valve will open a slight amount as the seat disc begins to move slightly away from the seat. If the pressure continues to rise despite the initial discharge through the relief valve, the seat disc will move to a full open position with a sudden "pop". This sharp popping sound is from which the term "pop-action" is derived.

Whether the relief valve opens a slight amount or pops wide open, it will start to close if the pressure in the container diminishes. After the pressure has decreased sufficiently, the relief valve spring will force the seat disc against the seat tightly enough to prevent any further escape of product. The pressure at which the valve closes tightly is referred to as the "re-seal" or "blow-down" pressure. Generally, the re-seal pressure will be lower than the start-to-discharge pressure. The re-seal pressure can be, and in most cases is, adversely affected by the presence of dirt, rust, scale or other foreign particles lodging between the seat and disc. They interfere with the proper mating of the seat and disc and the pressure in the container will usually have to decrease to a lower pressure before the spring force embeds foreign particles into the resilient seat disc material and seals leak-tight. The degree by which the presence of dirt decreases the re-seal pressure, is, of course, dependent on the size of the interfering particles.

Once particles have been trapped between the disc and seat, the start-to-discharge pressure is also affected. For example, the pressure relief valve will start-to-discharge at some pressure lower than its original start-to-discharge pressure. Again, the pressure at which the valve will start to discharge is dependent on the size of the foreign particles.

In the case of a pressure relief valve that has opened very slightly due to a pressure beyond its start-to-discharge setting, the chances of foreign material lodging between the seat and disc is negligible although the possibility is always present. If the relief valve continues to leak at pressures below its start-to-discharge setting it must be replaced.

Relief valves which have "popped" wide open must also be checked for foreign material lodged between the seat and disc, as well as for proper reseating of the seat and disc. Continued leakage at pressures below the start-to-discharge setting indicate the relief valve must be replaced.

The pressure at which a pressure relief valve will start to discharge should never be judged by the reading of the pressure gauge normally furnished on the container.

The reasons for this are two-fold:

If the relief valve is called upon to open, the resulting discharge produces an increased vaporization of the product in the container with the result that the liquid cools to a certain extent and the vapor pressure drops. A reading taken at this time would obviously not indicate what the pressure was when the relief valve opened.

The pressure gauges usually on most containers provide somewhat approximate readings and are not intended to provide an indication of pressure sufficiently accurate to judge the setting of the relief valve.

Repair and Testing

RegO Pressure Relief Valves are tested and listed by Underwriters Laboratories, Inc., in accordance with NFPA Pamphlet #58. Construction and performance of RegO Pressure Relief Valves are constantly checked at the factory by U.L. inspectors. Therefore, testing of RegO Pressure Relief Valves in the field is not necessary.

Any pressure relief valve which shows evidence of leakage, other improper operation or is suspect as to its performance must be replaced immediately using approved procedures.

Pipe-Away Adapters

Pipe-away adapters are available for most RegO Pressure Relief Valves, where it is required or desirable to pipe the discharge above or away from the container. Each adapter is designed to sever if excessive stress is applied to the vent piping – thus leaving the relief valve fully operative.

Weep hole deflectors are available on larger relief valves. These deflectors provide protection against flame impinging on adjacent containers which could occur from ignition of LP-Gas escaping through the relief valve drain hole when the valve is discharging.

Selection of RegO Pressure Relief Valves For ASME Containers

The rate of discharge required for a given container is determined by the calculation of the surface area of the container as shown in "Chart A" for LP-Gas and "Chart B" for anhydrous ammonia. See page D9.

Setting - The set pressure of a pressure relief valve depends upon the design pressure of the container. Refer to NFPA Pamphlet #58 for more information.

Selection of RegO Pressure Relief Valves for DOT Containers

To determine the proper relief valve required for a given DOT container, refer to the information shown with each pressure relief valve in the catalog. This information will give the maximum size (pounds water capacity) DOT container for which the relief valve has been approved.

Setting - The standard relief valve setting for use on DOT cylinders is 375 PSIG.

RegO Pressure Relief Valves

Ordering RegO Pressure Relief Valves

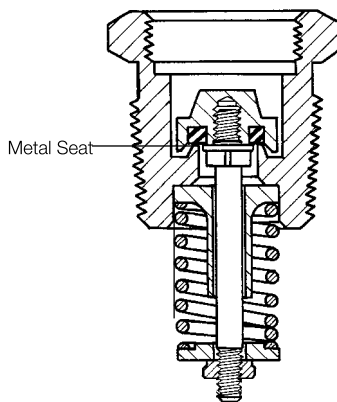
When ordering RegO Pressure Relief Valves, be sure you are certain that it will sufficiently protect the container as specified in the Foreword section, NFPA Pamphlet #58 and any other applicable standards or specifications.

All adapters, protective caps and deflectors must be ordered separately, unless specified otherwise.

Part Number Explanation

Products carrying an "A" or "AA" prefix contain no brass parts and are suitable for NH₃. Hydrostatic relief valves carrying an "SS" prefix are of stainless steel construction and are suitable for use with NH₃. The products are also suitable for use with LP-Gas service except relief valves carrying an "AA" prefix. These are of partial aluminum construction and are listed by U.L. for NH₃ service only.

Safety Information - Relief Valves Don't Last Forever



RegO Relief Valve for lift truck containers

The internal spring is protected from external contamination but the other external parts must be protected with a cap. Circular rubber seat disc ring seats on brass shoulder approximately 3/64" wide.

This article was prepared by the engineers of RegO products, after technical consultation with valve manufacturers and other industry sources. Its purpose is to alert and remind the LP-Gas industry of the importance of proper maintenance of pressure relief valves. It applies most particularly to separate relief valves with emphasis on lift truck and motor fuel containers where the hazards of contamination are greatest.

Since the beginning of our industry, manufacturers of equipment and distributors of LP-Gas have worked diligently to provide a safe environment for employees and consumers. The history of the industry testifies to the success of their efforts.

But the industry is now entering its sixth decade and equipment installed years ago is failing because of age. Every year, additional equipment will fail unless it is replaced. Pressure relief valves are no exception. The valve manufacturers and LP-Gas dealers are naturally concerned about this situation.

Causes of Relief Valve Failure

A relief valve is designed to have a safe useful life of many years, but that life will vary greatly depending on the environment in which it "lives." To attempt to estimate the safe useful life of a relief valve and the effect of environment on its performance, a brief discussion of the materials used and the nature of its performance should be helpful.

Relief valve bodies are generally made of brass or steel. Springs are made from various spring wires which are plated or painted, or made of stainless steel. Valve seat discs are made of synthetic rubber compounds which will remain serviceable in an atmosphere of LP-Gas. Relief valve stems, guides, etc. are generally made from brass or stainless steel.

Relief valves, over the years, may not function properly in several ways:

- They may leak at pressures below the set pressure.
- They may open and fail to properly reset.
- They may open at higher than the set pressure.

These failures to function properly are due primarily to four "environmental" conditions:

1. Corrosion of metal parts (particularly springs) which result in the component parts failing to perform.
2. Deterioration of the synthetic rubber seat disc material.
3. Clogging or "cementing" of the movable relief valve components so that their movement is restricted.
4. Debris on the valve seat after the relief valve opens, effectively preventing the valve from reseating.

Corrosion is caused by water, corrosive atmospheres of salt and industrial pollutants, chemicals, and roadway contaminants. High concentrations can attack the metal parts vigorously. No suitable metals are totally resistant to such corrosion.

Synthetic rubber and seat disc materials can also be attacked by impurities in the gas and corrosive atmospheres, particularly those with sulphur dioxide. There are no suitable rubber materials which resist all contaminants.

"Cementing" of relief valve parts has been caused by normal industrial atmospheres containing particles of dirt, iron oxide, metal chips, etc. combined with water, oil, or grease. Ice collecting in recessed valves could cause relief valves to fail to open. Paint and tar in relief valves also cause failure to function properly.

Safety Information - Relief Valves

Debris on valve seats which prevents reseating can occur whenever the valve collects material in the relief valve opening which is not blown out when the relief valve opens.

Inspection of Relief Valves

Unfortunately many of the above problems may not be easily observed because of the compact nature of some relief valve designs.

A casual visual inspection of a relief valve may not necessarily disclose a potential hazard. On the other hand, a visual inspection will often disclose leakage, corrosion, damage, plugging and contamination.

If additional light is required, a flashlight should be used.

If there is any doubt about the condition of the valve, or if there is a suspicion that the valve has not been protected by a cap for some time, it should be replaced before refilling the container.

Eye protection must be used when examining relief valves under pressure.

Smaller Relief Valves

The industry's requirement for a small full-flow safety relief valve challenged design engineers some years ago:

The valve must be leakproof before operating and must reseal leakproof each time after each operation. The only known satisfactory seat disc materials to accomplish this have been special synthetic rubber compounds.

- Valve discharge settings are relatively high and require high spring loads to keep the valve closed.
- Because of the small interior diameter of the valve, the round metal seating area is small.

All of these parameters may result in the development of a significant indentation in the rubber seat disc after some years. The seat disc may have a tendency to cling to the metal seat. This may result in the relief valve not opening at the set pressure as the seat disc ages.

Tests have been conducted on small LP-Gas relief valves of all the U.S. valve manufacturers. Valves over 10 years old were removed from service and tested to determine at what pressure the valves discharged. In many of the valves, the pressure required to open the valve exceeded the set pressure.

Because of the critical importance of proper functioning of relief valves, common sense and basic safety practice dictate that small relief valves should be replaced in about 10 years.

Some larger relief valves on bulk storage tanks can be replaced with rebuilt valves obtained from the manufacturers. Small relief valves cannot be rebuilt economically, thus, new valves are required. Most LP-Gas dealers find it impractical and costly to test relief valves and field repairing of relief valves is not sanctioned by the manufacturers, Underwriter's Laboratories, or ASME.

Use of Protective Caps

Many of the problems that cause inoperative relief valves could be prevented if proper protective caps were kept in place at all times.

Collection of debris would be prevented. Contamination caused by corrosive atmospheres would be reduced. Water collection in the valves would be eliminated. Relief valves protected with caps from the time of installation in the container would obviously have a much longer safe useful life, but they still should be replaced at some time because of the gradual deterioration of the rubber seat disc due to age alone.

NFPA 58 requires that protective caps must be kept in place as a protective cover on some relief valves. This is a mandatory requirement on several types of relief valves. The fact that use of caps may make inspection more time consuming should not be viewed as a reason for either not using the caps, or not making required periodic inspections.

In the event a relief valve has been used without the required cap, the relief valve should be thoroughly inspected and the required cap placed on the relief valve. If damage is noted to the relief valve, it should be replaced and the replacement valve should be capped. Relief valves with pipe-away adapters or deflectors used on lift truck containers have been found choked with debris. Inspection of relief valves with deflectors can only be accomplished by removing the deflector.

Similarly, larger relief valves with vent stacks have been found choked with debris and water. Valves have failed because springs rusted through. The weep hole was plugged. It was obvious that the relief valves had not been inspected in many years. These conditions must be alleviated by periodic inspections and replacement of relief valves as needed.

Summary Recommendations

Predicting the safe useful life of a relief valve is obviously not an exact science. The conditions to which the valve is subjected will vary widely and will largely control its life. In matters of this kind, only basic guidelines can be suggested. The LP-Gas dealer must observe and determine the safe useful life of relief valves in his territory. The valve manufacturers can only make recommendations for the continuing safety of the industry:

1. Make sure proper protective caps are in place at all times. Do not release a container for service or fill a container unless it has a protective cap in place.
2. Replace relief valves periodically, at least every 10 years. Every relief valve has the month and year of manufacture stamped on the valve. This is most particularly true of small separate relief valves.
3. Carefully inspect valves each time before the container is filled. Replace valves showing any signs of contamination, corrosion, damage, plugging, leakage, or any other problem. Eye protection must be used when examining relief valves under pressure.

Minimum Required Rate of Discharge for Pressure Relief Valves Used on ASME Containers

Chart A — Minimum Required Rate of Discharge for LP-Gas Pressure Relief Valves Used on ASME Containers

From NFPA #58 2024, Chapter 5.9.2.

Minimum required rate of discharge in cubic feet per minute of air at 120% of the maximum permitted start-to-discharge pressure for pressure relief valves to be used on containers other than those constructed in accordance with Interstate Commerce Commission specification.

Surface Area Sq. Ft.	Flow Rate SCFM Air	Surface Area Sq. Ft.	Flow Rate SCFM Air	Surface Area Sq. Ft.	Flow Rate SCFM Air	Surface Area Sq. Ft.	Flow Rate SCFM Air	Surface Area Sq. Ft.	Flow Rate SCFM Air	Surface Area Sq. Ft.	Flow Rate SCFM Air	Surface Area Sq. Ft.	Flow Rate SCFM Air
20 or less	626	85	2050	150	3260	230	4630	360	6690	850	13540	1500	21570
25	751	90	2150	155	3350	240	4800	370	6840	900	14190	1550	22160
30	872	95	2240	160	3440	250	4960	380	7000	950	14830	1600	22740
35	990	100	2340	165	3530	260	5130	390	7150	1000	15470	1650	23320
40	1100	105	2440	170	3620	270	5290	400	7300	1050	16100	1700	23900
45	1220	110	2530	175	3700	280	5450	450	8040	1100	16720	1750	24470
50	1330	115	2630	180	3790	290	5610	500	8760	1150	17350	1800	25050
55	1430	120	2720	185	3880	300	5760	550	9470	1200	17960	1850	25620
60	1540	125	2810	190	3960	310	5920	600	10170	1250	18570	1900	26180
65	1640	130	2900	195	4050	320	6080	650	10860	1300	19180	1950	26750
70	1750	135	2990	200	4130	330	6230	700	11550	1350	19780	2000	27310
75	1850	140	3080	210	4300	340	6390	750	12220	1400	20380		
80	1950	145	3170	220	4470	350	6540	800	12880	1450	20980		

Surface area = Total outside surface area of container in square feet.

When the surface area is not stamped on the name plate or when the marking is not legible, the area can be calculated by using one of the following formulas:

1. Cylindrical container with hemispherical heads. Area (in sq. ft.) = overall length (ft.) x outside diameter (ft.) x 3.1416.
2. Cylindrical container with semi-ellipsoidal heads. Area (in sq. ft.) = (overall length (ft.) + .3 outside diameter (ft.)) x outside diameter (ft.) x 3.1416.
3. Spherical container. Area (in sq. ft.) = outside diameter (ft.) squared x 3.1416.

Flow Rate SCFM Air = Required flow capacity in cubic feet per minute of air at standard conditions, 60°F. and atmospheric pressure (14.7 psia).

The rate of discharge may be interpolated for intermediate values of surface area. For containers with total outside surface area greater than 2000 square feet, the required flow rate can be calculated using the formula, Flow Rate-SCFM Air = 53.632 A^{0.82} Where A = total outside surface area of the container in square feet.

Chart B — Minimum Required Rate of Discharge for Anhydrous Ammonia Pressure Relief Valves Used on ASME Containers

From ANSI K61.1-1981, Appendix A (1981).

Minimum required rate of discharge in cubic feet per minute of air at 120% of the maximum permitted start-to-discharge pressure for pressure relief valves to be used on containers other than those constructed in accordance with United States Department of Transportation cylinder specifications.

Surface Area Sq. Ft.	Flow Rate SCFM Air	Surface Area Sq. Ft.	Flow Rate SCFM Air	Surface Area Sq. Ft.	Flow Rate SCFM Air	Surface Area Sq. Ft.	Flow Rate SCFM Air	Surface Area Sq. Ft.	Flow Rate SCFM Air	Surface Area Sq. Ft.	Flow Rate SCFM Air	Surface Area Sq. Ft.	Flow Rate SCFM Air
20	258	95	925	170	1500	290	2320	600	4200	1350	8160	2100	11720
25	310	100	965	175	1530	300	2380	650	4480	1400	8410	2150	11950
30	360	105	1010	180	1570	310	2450	700	4760	1450	8650	2200	12180
35	408	110	1050	185	1600	320	2510	750	5040	1500	8900	2250	12400
40	455	115	1090	190	1640	330	2570	800	5300	1550	9140	2300	12630
45	501	120	1120	195	1670	340	2640	850	5590	1600	9380	2350	12850
50	547	125	1160	200	1710	350	2700	900	5850	1650	9620	2400	13080
55	591	130	1200	210	1780	360	2760	950	6120	1700	9860	2450	13300
60	635	135	1240	220	1850	370	2830	1000	6380	1750	10090	2500	13520
65	678	140	1280	230	1920	380	2890	1050	6640	1800	10330		
70	720	145	1310	240	1980	390	2950	1100	6900	1850	10560		
75	762	150	1350	250	2050	400	3010	1150	7160	1900	10800		
80	804	155	1390	260	2120	450	3320	1200	7410	1950	11030		
85	845	160	1420	270	2180	500	3620	1250	7660	2000	11260		
90	885	165	1460	280	2250	550	3910	1300	7910	2050	11490		

Surface area = Total outside surface area of container in square feet.

When the surface area is not stamped on the name plate or when the marking is not legible, the area can be calculated by using one of the following formulas:

1. Cylindrical container with hemispherical heads. Area (in sq. ft.) = overall length (ft.) x outside diameter (ft.) x 3.1416.
2. Cylindrical container with other than hemispherical heads. Area (in sq. ft.) = (overall length (ft.) + .3 outside diameter (ft.)) x outside diameter (ft.) x 3.1416.
3. Spherical container. Area (in sq. ft.) = outside diameter (ft.) squared x 3.1416.

Flow Rate SCFM Air = Required flow capacity in cubic feet per minute of air at standard conditions, 60°F. and atmospheric pressure (14.7 psia).

The rate of discharge may be interpolated for intermediate values of surface area. For containers with total outside surface area greater than 2,500 square feet, the required flow rate can be calculated using the formula, Flow Rate-SCFM Air = 22.11 A^{0.82} where A = outside surface area of the container in square feet.

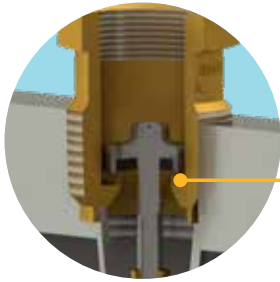
Conversion Factor

ft² x 0.092 903 = m²
 SCFM x 0.028 317 = m³/min
 ft x 0.304 8 = m

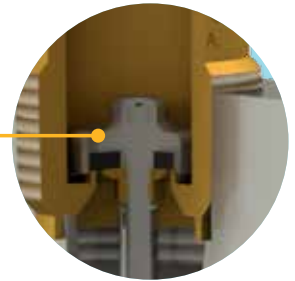
RegO Pressure Relief Valves - Safe, Reliable, Durable Construction.

RegO Relief Valves are **Made in America and Made to Last.**

Choose RegO for your next decade of worry free operation.



"Pop-action" design keeps product loss at a minimum.



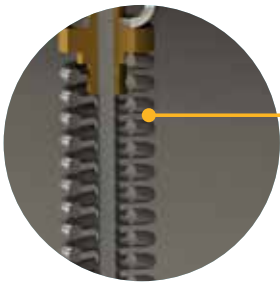
Relief valve designed to automatically reseal firmly after discharge.



Resilient seat disc provides a "bubble-tight" seal.



Single piece cold-headed stem provides more accurate positioning of working parts for more consistent operation and precise adjustment.



Longer spring size designed to minimize stress cracking in service.

RegO® Relief Valves



Multiport®, Delta Port™ and DuoPort™ Relief Valve Manifolds

Allows for relief valve removal and replacement on a periodic basis without shutting down and evacuating the container.



Pressure Relief Valve Inspection and Maintenance

Relief valves should be inspected each time the container is filled but no less than once a year. If there is any doubt about the condition of the relief valve, it should be replaced.

Major Factors that Impact the Service Life of Relief Valves

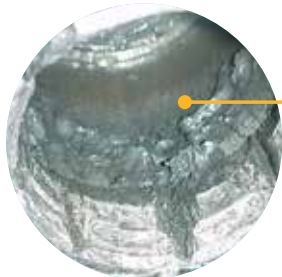
- Water/Ice Accumulation
- Corrosion from environmental factors
- Dirt – Debris
- Physical Damage
- Normal Aging



Eye protection must be worn when performing inspection on relief valves under pressure. Never look directly into a relief valve under pressure or place any part of your body in the relief valve's discharge path.

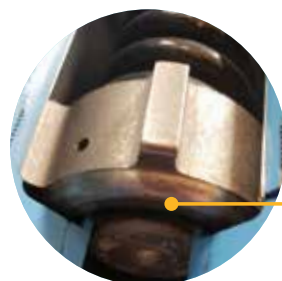


Deterioration and corrosion
Check for deterioration and corrosion on pressure relief valve spring. Exposure to high concentrations of water, salt, industrial pollutants, chemicals and roadway contaminants could cause metal parts to fail. If the coating on the spring is cracked or chipped, replace the pressure relief valve.



Water Damage
Check protective cap located in valve or at end of pipe away for a secure fit. Protective caps help protect the pressure relief valve against possible malfunction caused by rain, sleet, snow, ice, sand, dirt, pebbles, insects, other debris and contamination. Replace damaged or missing caps at once and keep a cap in place at all times.

Open weep holes
Dirt, ice, paint and other foreign particles can prevent proper drainage from the valve body. If the weep holes cannot be cleared, replace the pressure relief valve.



Seat leakage
Check for leaks in the seating area using a non-corrosive leak detection solution. Replace the pressure relief valve if there are any indication of leakage.

Physical damage. Ice accumulations and improper installation could cause mechanical damage. IF THERE ARE ANY INDICATIONS OF DAMAGE, REPLACE THE PRESSURE RELIEF VALVE.

Tampering or readjustment. Pressure relief valves are factory set to discharge at specified pressure. If there are any indications of tampering or readjustment, replace the pressure relief valve.

“Pop-Action” Pressure Relief Valves

General Information

The “Pop-Action” design permits the RegO Pressure Relief Valve to open slightly to relieve moderately excessive pressure in the container. When pressure increases beyond a predetermined point, the valve is designed to “pop” open to its full discharge capacity, reducing excess pressure quickly. This is a distinct advantage over ordinary valves which open gradually over their entire range, allowing excessive pressure to develop before the relief valve is fully open. All RegO internal, semi-internal, and external relief valves incorporate this “Pop-Action” design.

Relief Valves in this catalog are only intended for use in LP-Gas or anhydrous ammonia service. Do not use any other service commodity. If you have an application other than conventional LP-Gas or anhydrous ammonia service, contact RegO before proceeding.

Fully Internal “Pop-Action” Pressure Relief Valves for Transports and Bobtail Delivery Vehicles A8434 and A8436 Series

Application

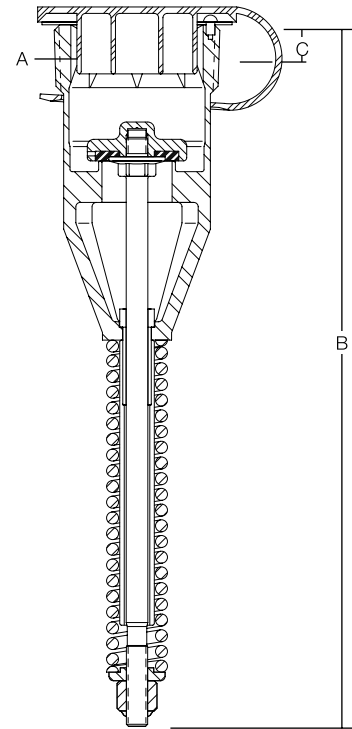
Designed specifically for use as a primary relief valve on ASME cargo tanks for transportation and bobtails with 2” and 3” F.NPT couplings.

Features

- Low profile design ensures maximum protection against shearing or distortion.
- All functioning parts are located below the level of the container connection to reduce the possibility of damage or tampering.
- Longer spring size designed to minimize stress cracking in service.
- Use of two different materials for stem and guide minimizes the possibility of stem seizure which may occur when similar materials are used.
- Internal octagonal wrenching broach ensures easy installation and removal.
- ASME rated for use with LP-Gas and anhydrous ammonia A8434 and A8436 Series
- ASME rated for use with LP-Gas and Propylene VA8436 Series

Materials

Body Stainless Steel
 Spring Stainless Steel
 Stem Stainless Steel
 Stem Bushing 17 - 4PH Stainless Steel
 Seat Disc (A8434 & A8436 series) Resilient Synthetic Rubber
 Seat Disc (VA8436 series) FKM



A8434-SERIES



Ordering Information

Part Number	Start To Discharge Setting PSIG	A Container Connection	B Overall Height (Approx.)	C Height Above Coupling (Approx.)	Flow Capacity SCFM/Air		LP-Gas	NH3	Seat Material	Protective Cap (Included)	Installation/ Removal Tool
					UL (At 120% of Set Pressure)	ASME (At 120% of Set Pressure)					
A8434G	250	2" M. NPTF	9 1/16"	1/2"	3700	3456	Yes	Yes	Buna-N	A8434-11B	A8434-40
A8434N	265					3659					
BA8434G	250	2" M. BSPT	21.951"	3/4"	10210	3456	Yes	No	FKM	A8436-11B	A8436-40
A8436G						9598					
A8436N	265	3" M. NPTF	21.951"	3/4"	-	9839	Yes	Yes	Buna-N	A8436-11B	A8436-40
VA8436G	250					9596					
VA8436N	265					9839					
BA8436G	250	3" M. BSPT			10210	9598					

* Per NFPA Pamphlet #58, Appendix D. Area shown is for UL or ASME flow rating—which ever is larger.

Fully Internal “Pop-Action” Pressure Relief Valves for Motor Fuel Containers 8543, 8544 and 8546 Series

Application

8543 Series relief valves are designed for use as a primary relief valve in larger ASME motor fuel containers such as on buses, RV's, trucks and construction equipment.

8544 Series relief valves are designed for use as a primary relief valve in smaller ASME and DOT motor fuel containers such as on tractors, lift trucks, cars and taxicabs.



Features

- Assure minimum product loss due to “pop-action” design.
- Recessed design minimizes possibility of damage and tampering.
- All are threaded to accept RegO Pipeaway Adapters that permit the addition of a discharge hose or piping.
- ASME rated for use with LP-Gas (except 8544K which meets DOT requirements).
- Specify RegO Relief Valves on all your original equipment motor fuel container purchases for reliable performance.



8546-11 3/4"



7544-11A 1"



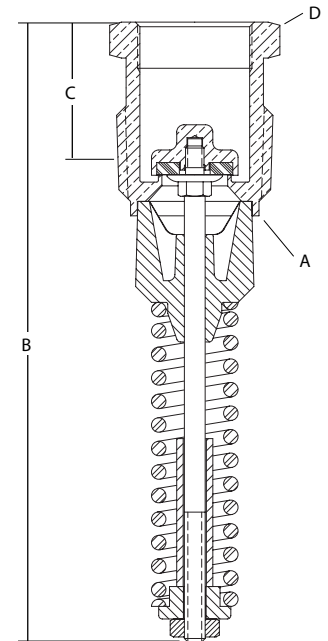
7543-10 1 1/4"

Materials

Body Brass
 Spring (8543)..... Stainless Steel
 Spring (8544)..... Coated Steel
 Seat Disc Resilient Rubber



8544



Ordering Information

Part Number	Container Type	Start To Discharge Setting PSIG	A Container Connection M. NPT	B Overall Height (Approx.)	C Height Above Coupling (Approx.)	D Hex Wrenching Section	Flow Capacity SCFM/Air****		Protective Cap (Included)	Accessories Pipeaway Adapter
							UL (At 120% of Set Pressure)	ASME (At 120% of Set Pressure)		
8546G	ASME	250	3/4"	4 1/2"	15/16"	1 1/16"	723	651	11565-26	8546-11
8544G			1"	5 7/16"	7/8"	1 5/16"	1020	936	7544-41G	7544-11A*
8543G			1 1/4"			1 11/16"	1465	1400	3131-41	7543-10**
8546T		312	3/4"	4 1/2"	15/16"	1 1/16"	880	792	11565-26	8546-11
8544T			1"	5 7/16"	7/8"	1 5/16"	1282	1158	7544-41	7544-11A
8543T			1 1/4"			1 11/16"	1990	1731	3131-41	7543-10**
8544A375T	DOT	375	1"			1 5/16"	NA	1384	7544-41G	7544-11A
8544K							1545***	NA	7544-41	7544-11A

* 1" M. NPT outlet connection.

** 1 1/4" M. NPT outlet connection.

*** Rating also applies to DOT requirements.

**** Flow rates shown are for bare relief valves. Adapters and pipeaway will reduce flow as discussed in the Foreword section.

Fully Internal "Pop-Action" Pressure Relief Valve for DOT Fork Lift Cylinders 8545AK

Application

Designed specifically for use as a primary relief valve on forklift cylinders, the 8545AK reduces the possibility of improper functioning of the relief mechanism due to foreign material build up. All guides, springs, stem and adjusting components are located inside the cylinder - removed from the direct exposure of foreign materials and debris from the atmosphere.

NFPA Pamphlet #58 requires that:

"All containers used in industrial truck (including forklift truck cylinders) service shall have the container pressure relief valve replaced by a new or unused valve within 12 years of the date of manufacture of the container and each 10 years thereafter."

Features

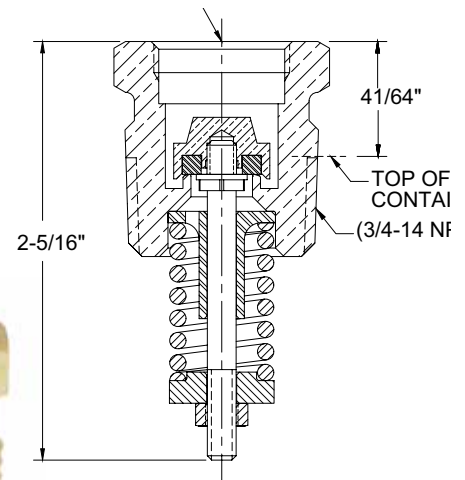
- Positive stop in the upper body protects against improper insertion of a pipeaway adapter that might interfere with proper operation of the relief valve.
- Internal stem guide eliminates the need for a close fit between the body and poppet, which lessens the chance of clogging due to foreign material.
- Single piece cold-headed stem provides more accurate positioning of working parts for more consistent operation and precise adjustment.
- Two different deflector adapters and a protective cap are available as accessories to provide complete protection.
- "Pop-action" design keeps product loss at a minimum.
- Request RegO Relief Valves on all your original equipment forklift cylinders for reliable performance.



7545-12 90° Adapter



7545-14 45° Adapter



8545AK

Materials

Body	Brass
Stem	Stainless Steel
Spring	Stainless Steel
Poppet	Brass
Guide	Brass
Seat Disc	Resilient Rubber



Ordering Information

Part Number	Container Type	Start To Discharge Setting PSIG	Container Connection M. NPT	Flow Capacity SCFM/Air** (RegO Rated at 480 PSIG)	Accessories (Order Separately)		
					Protective Cap	Deflectors***	
						45° Elbow	90° Elbow
8545AK	Dot	375	3/4"	400*	11557-19	7545-14	7545-12

* Classified by U.L. in accordance with Compressed Gas Association Pamphlet S-1.1 Pressure Device Standards for Cylinders. Meets requirements for use on DOT containers with 262 pounds or less weight of water or 109 pounds or less of LP-Gas.

** Flow rates are shown for bare relief valves. Adapters and pipeaways will reduce flow as discussed in the Foreword section.

*** Order protective cap #9103-54 or 7545-40.

Semi-Internal "Pop-Action" Pressure Relief Valves for ASME Portable Containers 7583, 8684 and 8685 Series

Application

Designed for use as a primary relief valve on ASME containers such as 250, 500 and 1,000 gallon tanks. Underwriters' Laboratories lists containers systems on which these types of valves are mounted outside the hood without additional protection, if mounted near the hood and fitted with a protective cap.

Features

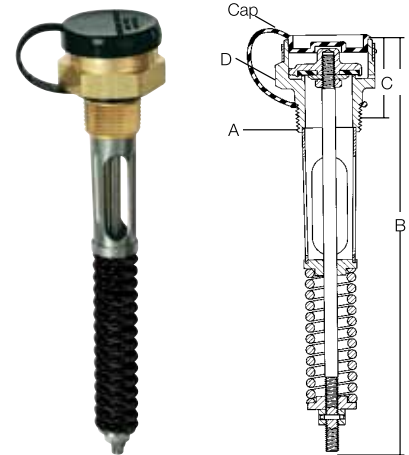
- Constructed of non-corrosive materials.
- "Pop-action" design keeps product loss at a minimum.
- ASME rated for use with LP-Gas.
- Request RegO Relief Valves on all your original equipment ASME containers for reliable performance.

Materials

Body Brass
 Spring Steel
 Stem Stainless Steel
 Seat Disc Resilient Rubber

Ordering Information

Part Number	Start To Discharge Setting PSIG	A Container Connection M. NPT	B Overall Height (Approx.)	C Height Above Coupling (Approx.)	D Wrench Hex Section	Flow Capacity SCFM/Air		Protective Cap (Included)
						UL (At 120% of Set Pressure)	ASME (At 120% of Set Pressure)	
7583G	250	¾"	8 ⅜"	1 ⅙"	1 ¼"	1980	1806	7583-40X
8684G		1"	9 ⅝"	1 ⅙"	1 ⅙"	2620	2565	8684-40
8685G		1 ¼"	11 ⅙"	1 ⅙"	2 ⅜"	4385	4035	7585-40X



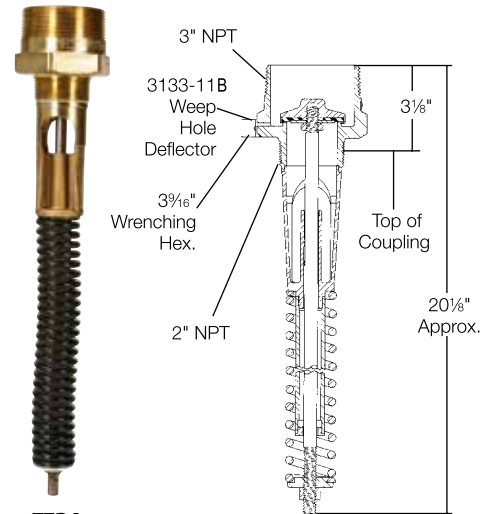
7583G

Application

Designed especially for use as a primary relief valve on large stationary storage containers, these low profile relief valves are generally mounted in half couplings. However, they are designed so that the inlet ports clear the bottom of a full 2" coupling. This ensures that the relief valve should always be capable of maximum flow under emergency conditions.

Features

- High capacity, low turbulence design has a maximum guiding area providing for dependable shut-off after opening.
- Built-in spring stop limits the rise of the seat in full open position and prevents the spring from going "solid."
- External 3" NPT threaded body allows easy attachment of vent stacks. Optional pipeaway adapter has break-off groove to prevent damage to the relief valve should piping be stressed by damaging winds.
- "Pop-Action" design keeps product loss at a minimum.
- No guiding projections around the seat disc retainer to bind and hinder opening of valve if body is damaged.



7534

Materials

Body Brass
 Spring Steel
 Stem Stainless Steel
 Seat Disc Resilient Rubber

Ordering Information

Part Number	Start To Discharge Setting PSIG	Container Connection M. NPT	Flow Capacity SCFM/Air*		Accessories	
			UL (At 120% of Set Pressure)	ASME (At 120% of Set Pressure)	Protective Cap (Included)	Pipeaway Adapter
7534B	125	2"	6,025	-	7534-40X	7534-20**
7534G***	250		11,675	10,422		

* Flow rates shown are for bare relief valves. Adapters and pipeaways will reduce flow as discussed in the the Foreword section.

** 3" F. NPT outlet connection.

*** Other seat materials are available.

External "Pop-Action" Pressure Relief Valves for ASME Containers and Bulk Plant Installations AA3126, AA3130, 3131, 3132, 3133, 3135, AA3135, and A3149 Series

Application

Designed for use as a primary relief valve on ASME above ground and underground containers, bulk plant installations and skid tanks. The 3131 Series may also be used as a primary or secondary relief valve on DOT cylinders, or as a hydrostatic relief valve. All working components of these relief valves are outside the container connection, so the valves must be protected from physical damage.

Features

- "Pop-action" design keeps product loss at a minimum.
- Relief valve designed to automatically reset firmly after discharge.
- Resilient seat disc provides "bubble-tight" seal.
- 3149 relief valves incorporate integral pipeway adapter with break off groove that protects the valve from piping stress damage.
- Optional pipeway adapters have grooves that will break off to protect the relief valve from damage should excess stress be applied to the piping.
- 3149 relief valves include weep hole deflectors, installed to guard against flame impingement on adjacent containers.
- Most are ASME rated for use with LP-Gas and anhydrous ammonia.



3135-10

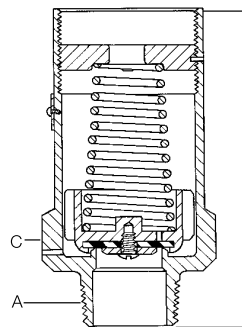


A3149

3135



3132-10



AA3135



W3132G

Materials

Description	3131, 3132, 3133, 3135	AA3126 AA3130	AA3135	A3149
Body	Brass	Aluminum Rod*		Upper Cold Rolled Steel Lower Ductile Iron
Liner		None		Stainless Steel
Spring Guide	Brass	Aluminum		Stainless Steel
Spring	Corrosion Resistant Steel	Stainless Steel		Stainless Steel or Coated Steel
Seat Disc		Resilient Synthetic Rubber		



Ordering Information

Part Number	Start To Discharge Setting PSIG	A Container Connection M. NPT	B Overall Height (Approx.)	C Wrench Hex Section	Flow Capacity SCFM/Air (a)			Accessories			
					UL (At 120% of Set Pressure)	ASME (At 120% of Set Pressure)	Protective Cap	Pipeway Adapter		Weep Hole Deflector	
								Part Number	Outlet Size		
AA3126L030	30	1/2"	2 3/8"	7/8"	(b)	-	9103-54	AA3126-10	1/2" M. NPT	-	
A3149L055	55	2 1/2"	10 1/2"	4 1/8"	2608 (c)	-	3149-40	(h)		Included (j)	
A3149L200	200				8770 (c)	-					
AA3126L250	250	1/2"	2 3/8"	7/8"	277 (c)	-	9103-54	AA3126-10	1/2" M. NPT	3133-11	
3131G		3/4"	3 7/16"	1 3/4"	2060	1939	3131-41 (g)	3131-10	1" F. NPT		
T3131G			3 23/25"		2045	1838		11557-110	AA3131-10		1" F. NPT
AA3130UA250			3 7/16"		3340	-		3132-54 (g)	3132-10		1 1/4" F. NPT
W3132G		1"	4130	-	3132-10	1 1/4" F. NPT					
3132G		1 1/4"	6 1/32"	2 3/8"	3790	-	-		-		
T3132G			5 21/32"	5770	5343	3135-54 (g)	3135-10		-		
MV3132G			6 13/32"	6430	6341	AA3135-40PR	AA3135-10	2" F. NPT			
3135G		1 1/2"	5 15/16"	3 3/8"	6080	-	3133-54 (g)	3133-10	-		
AA3135UA250		265	3/4"	3 7/16"	1 3/4"	2125	1912	11557-110	AA3131-10		1" F. NPT
3133G	6 13/32"			2 11/16"	6703	6615	AA3135-40PR	AA3135-10	2" F. NPT	3133-11	
A3149MG	2 1/2"		10 1/2"	4 1/8"	10390	-	3149-40	(h)		Included (j)	
A3149G					9153	-					
AA3130UA265	312	3/4"	3 7/16"	1 3/4"	2125	1912	11557-110	AA3131-10	1" F. NPT	-	
AA3135UA265	312	1 1/4"	6 13/32"	2 11/16"	6703	6615	AA3135-40PR	AA3135-10	2" F. NPT	3133-11	
AA3126L312	312	1/2"	2 3/8"	7/8"	330 (c)	-	9103-54	AA3126-10	1/2" M. NPT	-	

(a) Flow rates shown are for bare relief valves. Adapters and pipeways will reduce flow as discussed in the Foreword section.
 (b) Not UL or ASME rated. .059 square inch effective area.
 (c) Not UL or ASME rated. RegO rated at 120% of set pressure.

(g) Cap supplied with chain.
 (h) Outlet 3 1/2-8N (F) thread, will accept 3" M. NPT pipe thread.
 (j) Weep hole deflector is Part No. A3134-11B.

External “Pop-Action” Supplementary Pressure Relief Valves for Small ASME Containers and DOT Cylinders 3127 and 3129 Series

Application

Designed for use as a supplementary relief valve on small ASME above ground and underground containers. They may also be used as a primary or secondary relief device on DOT cylinders, or as hydrostatic relief valves.

All working components of these relief valves are outside the container connection, so the valves must be protected from physical damage.

Features

- “Pop-action” design keeps product loss at a minimum.
- Relief valve designed to automatically reseal firmly after discharge.
- Resilient seat disc provides a “bubble-tight” seal.

Materials

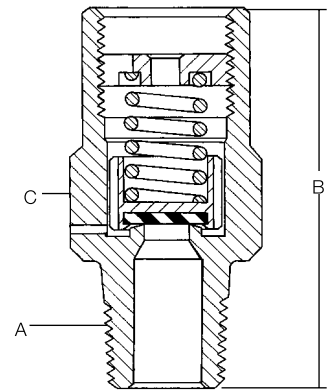
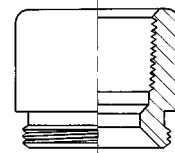
Body Brass
 Spring Stainless Steel
 Seat Disc Resilient Rubber



3129-10 Pipe Away Adapter



3127 Series



Ordering Information

Part Number	Container Type	Start To Discharge Setting PSIG	A Container Connection M. NPT	B Overall Height (Approx.)	C Wrench Hex Section	Flow Capacity SCFM/Air		Suitable for Tanks w/Surface Area Up To:*	Accessories		
						UL (At 120% of Set Pressure)	RegO Rated at 480 PSIG***		Protective Cap	Pipeaway Adapter	
										Part Number	Outlet Size
3127G	ASME	250	1/4"	1 ³¹ / ₃₂ "	7/8"	295	-	-	9103-54	-	-
3129G			1/2"	2 ¹⁹ / ₃₂ "	1 1/8"	465	-	-	3129-40P	3129-10	1/2" F. NPT
3127K	DOT	375	1/4"	1 ³¹ / ₃₂ "	7/8"	-	450	100 lbs./Propane	9103-54	-	-
3129K			1/2"	2 ¹⁹ / ₃₂ "	1 1/8"	-	780	200 lbs./Propane	3129-40P	3129-10	1/2" F. NPT

* Flow rates shown are for bare relief valves. Adapters and pipeaways will reduce flow as discussed in the Foreword section.

** Not UL or ASME rated. RegO rated at 480 PSIG.

*** Meets DOT requirements.

External Hydrostatic Relief Valves

3125, 3127, 3129, SS8001, SS8002, SS8021 and SS8022 Series

Application

Designed especially for the protection of piping and shut-off valves where there is a possibility of trapping liquid LP-Gas or anhydrous ammonia. They may be installed in pipelines and hoses located between shut-off valves or in the side boss of RegO shut-off valves.

Features

- Relief valve designed to automatically reseal firmly after discharge.
- Resilient seat disc provides a "bubble-tight" seal.
- Available in both brass and stainless steel.
- Available in configurations that permit direct attachment of vent piping when required.



Materials

Body (3125, 3127, 3129).....	Brass
Body (SS8001, SS8002, SS8021, SS8022).....	Stainless Steel
Spring.....	Stainless Steel
Seat Disc.....	Resilient Rubber

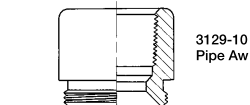
Ordering Information

Part Number	Start To Discharge Setting PSIG	Valve Body Material	Container Connection M. NPT	Height (Approx.)	Wrench Hex Section	Accessories		
						Protective Cap	Pipeaway	
							Adapter or Threads	
SS8001G**	250	Stainless Steel	1/4"	7/8"	11/16"	8001-55	-	
SS8002G**			1/2"		7/8"	8022-54		
SS8021G**			1/4"	1 1/8"	11/16"	8001-55		1/4" NPSM Thrds
SS8022G**		1/2"	7/8"		8022-54	3/8" NPT Thrds		
3127G		Brass	1/4"	1 31/32"	1 1/8"	9103-54		-
3129G			1/2"	2 19/32"		3129-40P		3129-10*
SS8001N**	265	Stainless Steel	1/4"	7/8"	11/16"	8001-55	-	
SS8002N**			1/2"		7/8"	8022-54		
SS8021N**			1/4"	1 3/8"	11/16"	8001-55		1/4" NPSM Thrds
3127H	Brass	1/4"	1 31/32"	1 1/8"	9103-54	-		
3129H		1/2"	2 19/32"		3129-40P	3129-10*		
SS8001H**	275	Stainless Steel	1/4"	7/8"	11/16"	8001-55	-	
SS8002H**			1/2"		7/8"	8022-54		
SS8021H**			1/4"	1 3/8"	11/16"	8001-55		1/4" NPSM Thrds
SS8022H**	1/2"	1 3/8"	7/8"	8022-54	3/8" NPT Thrds			
3127P	Brass	1/4"	1 31/32"	1 1/8"	9103-54	-		
3129P		1/2"	2 19/32"		3129-40P	3129-10*		
SS8001P**	300	Stainless Steel	1/4"	7/8"	11/16"	8001-55	-	
SS8002P**			1/2"		7/8"	8022-54		
SS8021P**			1/4"	1 3/8"	11/16"	8001-55		1/4" NPSM Thrds
SS8022P**	1/2"	1 3/8"	7/8"	8022-54	3/8" NPT Thrds			
3127J	Brass	1/4"	1 31/32"	1 1/8"	9103-54	-		
3129J		1/2"	2 19/32"		3129-40P	3129-10*		
SS8001J**	350	Stainless Steel	1/4"	7/8"	11/16"	8001-55	-	
SS8002J**			1/2"		7/8"	8022-54		
SS8021J**			1/4"	1 3/8"	11/16"	8001-55		1/4" NPSM Thrds
SS8022J**	1/2"	1 3/8"	7/8"	8022-54	3/8" NPT Thrds			
3127K	Brass	1/4"	1 31/32"	1 1/8"	9103-54	-		
3129K		1/2"	2 19/32"		3129-40P	3129-10*		
SS8001K**	375	Stainless Steel	1/4"	7/8"	11/16"	8001-55	-	
SS8002K**			1/2"		7/8"	8022-54		
SS8021K**			1/4"	1 3/8"	11/16"	8001-55		1/4" NPSM Thrds
SS8022K**	1/2"	1 3/8"	7/8"	8022-54	3/8" NPT Thrds			
3125L	Brass	1/4"	1 9/16"	9/8"	3125-40P	-		
3127L		1/2"	1 31/32"		7/8"	9103-54		
3129L		1/2"	2 19/32"	1 1/8"	3129-40P	3129-10*		
SS8001L**	400	Stainless Steel	1/4"	7/8"	11/16"	8001-55	-	
SS8002L**			1/2"		7/8"	8022-54		
SS8021L**			1/4"	1 3/8"	11/16"	8001-55		1/4" NPSM Thrds
SS8022L**	1/2"	1 3/8"	7/8"	8022-54	3/8" NPT Thrds			
3127U	Brass	1/4"	1 31/32"	1 1/8"	9103-54	-		
3129U		1/2"	2 19/32"		3129-40P	3129-10*		
SS8001U**	450	Stainless Steel	1/4"	7/8"	11/16"	8001-55	-	
SS8002U**			1/2"		7/8"	8022-54		
SS8021U**			1/4"	1"	11/16"	8001-55		1/4" NPSM Thrds
SS8022U**	1/2"	1"	7/8"	8022-54	3/8" NPT Thrds			

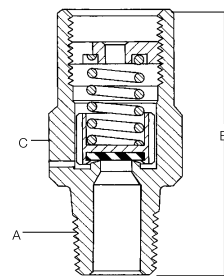
* 1/2" F. NPT outlet connection.

** Weep holes are not provided integral to these relief valves

*** Orifice diameter



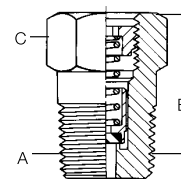
3129-10 Pipe Aw



3125 Series (.161" Orifice)***
3127 Series (.274" Orifice)****
3129 Series (.386" Orifice)***

SS8022G

SS8021, SS8022 Series (.156" Orifice)***



SS8001, SS8002 Series (.156" Orifice)***

Pressure Relief Valve with Check Device

RTG2831 Series *For Use Outside the United States

Application

These external valves are designed for use as a primary relief valve on above ground domestic LPG DOT containers. The Check Device (isolation valve) permits the exchange of the relief valve without the necessity of evacuating the container.

Features & Benefits

- Relief valves provide “pop action” performance
- Weep hole is incorporated on the connection thread, which indicates the check is closed and the valve may be removed.
- A metal to metal make up on the check device allows for a “signal flow” of gas to act as a reminder that the container is unprotected when the valve is removed.
- Complies with Standard CGA S-1.1

Materials

PRV

Body Brass
 Spring Steel
 Stem Stainless Steel
 Seat Disc Resilient Rubber

Check Device

Body Brass
 Stem Brass



RTG2831N375



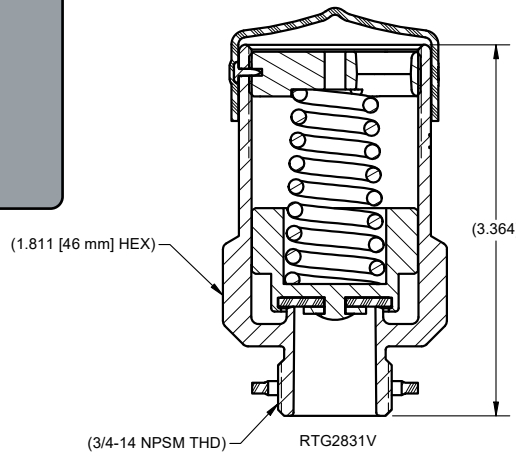
RTG2831V375



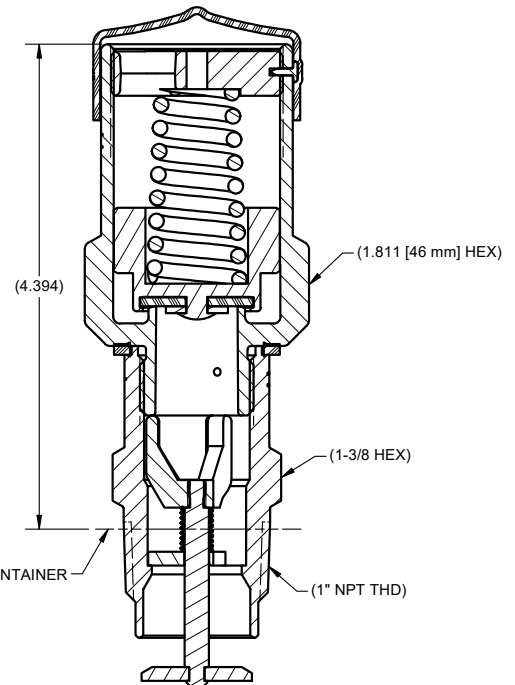
**NEW! VALUE CALCULATOR
NOW AVAILABLE**



Visit regoproducts.com



RTG2831V



RTG2831N

Ordering Information

Part Number	Includes Check Device	Includes Seat	Check Device Inlet Connection	Check Device Outlet Connection	Relief Valve Inlet Connection	Relief Valve Pressure Setting	Relief Valve Flow Rating (SCFM)	Relief Valve Flow Rating (M ³ /min)
RTG2831N375	Yes	Yes	1"-11.5 NPTF THD	3/4-14 NPSM-2B THD	3/4-14 NPSM-2A THD	375 PSI	2267.91	64.22
RTG2831V375*	No							

*Replacement pressure relief valve kit.

DuoPort™ Pressure Relief Valve Manifolds for Small Storage Containers 8542 Series

Application

Designed especially for use as a primary relief device on smaller stationary storage containers, with 2" NPT threaded couplings. These manifolds allow servicing or replacement of either of the two relief valves without evacuating the container or loss of service. The operating lever selectively closes off the entrance port to the relief valve being removed while the remaining valve provides protection for the container and its contents. The rating of each manifold is based on actual flow through the manifold and a single pressure relief valve, taking friction loss into account. It is not merely the rating of the relief valve alone.

Features

- Allows for relief valve removal and replacement on a periodic basis without shutting down and evacuating the container.
- Unique seat ring assemblies provide a smooth tubular section to preclude turbulence and ensure more efficient flow capacity.
- Operating lever is only locked in the mid-position or in a position to seal either relief valve. Placement of the clapper disc in an intermediate position could restrict flow through one of the relief valves, causing it to chatter and destroy the resilient seat disc.
- A rubber plug with chain is provided to protect manifold outlet threads where the relief valve has been removed.
- "Pop-action" design insures maximum protection with only minimal product loss at moderately excessive pressures.
- Resilient relief valve seat disc provides "bubble-tight" seal.
- Relief valves are ASME rated for use with LP-Gas and anhydrous ammonia.

Manifold Materials

Body Ductile Iron
Clapper Disc..... Stainless Steel
Bleeder Valve Stainless Steel
Seat Disc Teflon
Packing..... Polyethylene

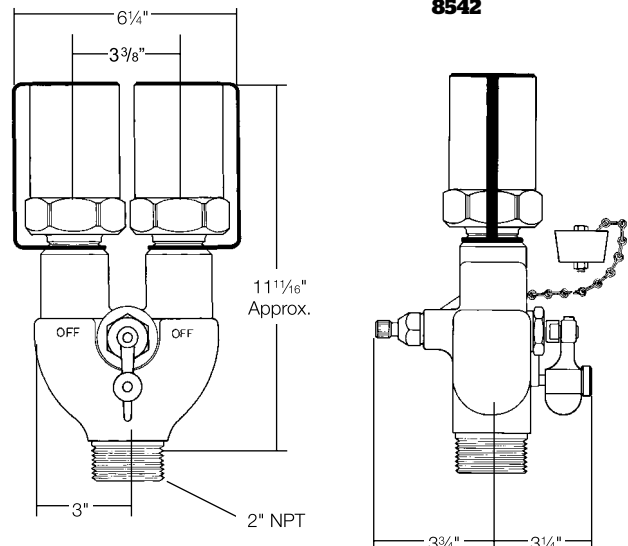
Relief Valve Materials

Body Forged Aluminum*
Spring Guide..... Aluminum
Spring Coated Steel
Seat Disc Resilient Synthetic Rubber

*A special coating is applied to the inlet threads to minimize the possibility of electrolytic action.



8542



Ordering Information

Part Number	Start to Discharge Setting PSIG	Application		Container Connection M. NPT	Relief Valve Included			Flow Capacity SCFM/Air** (at 120% of set pressure)		
		LP-Gas	NH ₃		Quantity	Part Number	Inlet Connection M. NPT	Accessories Pipeaway Adaptors	UL Rating (at 120% of set Pressure)	ASME Rating (at 120% of set Pressure)
8542G	250	Yes	No	2"	2	3135MG	1 1/4"	3135-10*	5250 (1)	NA
8542AG									NA	5345 (1)
AA8542UA250***	265	No	Yes			AA3135UA250	AA3135-10*	6430 (1)	6058 (1)	
AA8542UA265***						AA3135UA265		6615 (1)	6404 (1)	

* 2" F. NPT outlet connection.

** Flow rating based on number of relief valves indicated in parenthesis (). Flow rates shown are for bare relief valves. Adapters and pipeaways will reduce flow rates as discussed in the Foreword section.

*** Available as a bare manifold assembly

Delta Port™ Relief Valve Manifolds

8530/AA8530 Series

Application

Designed especially for use as a primary relief device on large stationary pressurized storage containers, the base is supplied with a two-inch NPT threaded container connection. These manifolds incorporate an additional relief valve, not included in the flow rating, allowing for servicing or replacement of any one of the relief valves without evacuating the container. The hand-wheel on the manifold selectively closes off the entrance port to the relief valve being removed while the remaining relief valves provide protection for the container and its contents. All manifold flow ratings are based on flow through the relief valves after one has been removed for service or replacement.

Materials

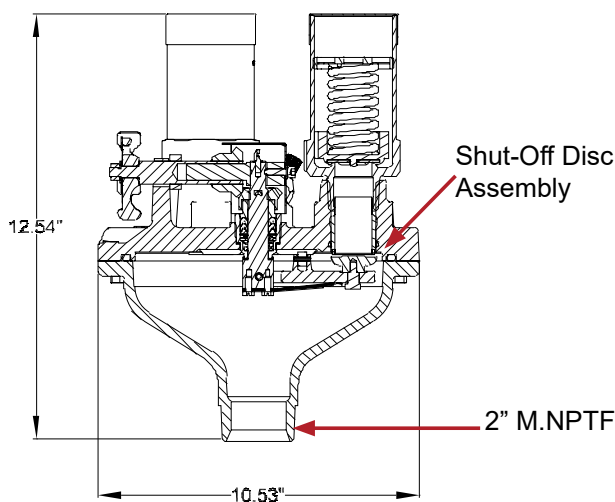
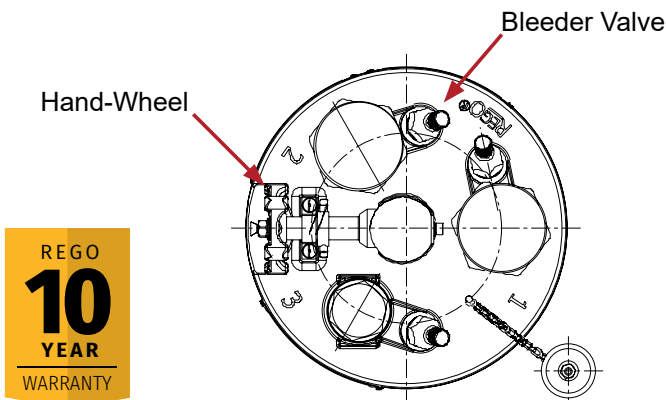
Body Ductile Iron
 Resilient Parts Teflon
 Clapper Disc Stainless Steel
 Bleeder Valve Stainless Steel

Relief Valve Materials

Body (3135) Brass
 Spring Guide (3135) Brass
 Body (AA3135) Aluminum
 Spring Guide (AA3135) Aluminum
 Spring (3135 & AA3135) Stainless Steel
 Seat Disc (3135 & AA3135) Resilient Synthetic Rubber



8533AG



Ordering Information

Part Number	Start to Discharge Setting PSIG	Application		Container Connection M.NPTF	Qty.	Relief Valve			ASME Flow Rating SCFM (air) @ 120% of Set Pressure *		
		LPG	NH ₃			Part Number	Inlet Connection M.NPT	Accessories Pipe-away Adapter**			
8532AG	250	Yes	No	2"	2	3135MG	1 1/4"	3135-10	5,345 (1)		
8533AG					3				10,690 (2)		
AA8532MA250		No	Yes		2				AA3135UA250	AA3135-10	6,058 (1)
AA8533MA250***					3						12,116 (2)
AA8532MA265	265			2	AA3135UA265		6,404 (1)				
AA8533MA265***				3			12,808 (1)				

* Flow rating based on number of relief valves indicated in parentheses (). Flow rates shown are for bare relief valves. Adapters and pipe-always will reduce flow rates as discussed in forwarding information in L-500 catalog.

** 2" F. NPT outlet connection

*** Available as a bare manifold assembly

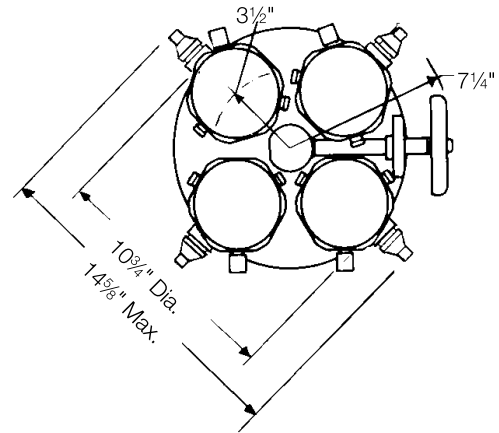
Multiport® Pressure Relief Valve Manifold Assemblies for Large Storage Containers A8560 and A8570 Series

Application

Designed especially for use as a primary relief device on large stationary pressurized storage containers with flanged openings. These manifolds incorporate an additional relief valve, not included in the flow rating, allowing for servicing or replacement of any one of the relief valves without evacuating the container. The handwheel on the manifold selectively closes off the entrance port to the relief valve being removed while the remaining relief valves provide protection for the container and its contents. All manifold flow ratings are based on flow through the relief valves after one has been removed for service or replacement.

Features

- Allows for relief valve removal and replacement on a periodic basis without shutting down and evacuating the container.
- "Pop-action" design of relief valves insures maximum protection with only minimal product loss at moderately excessive pressures.
- A rubber plug with chain is provided to protect manifold outlet threads where the relief valve has been removed.
- May be mounted directly to a welding neck flange or manhole cover plate. Requires no inlet piping.
- Relief valves designed to automatically reseal firmly after discharge.
- Resilient relief valve seat disc provides "bubble-tight" seal.
- Relief valves are ASME rated for use with LP-Gas and anhydrous ammonia.



Materials

Body	Ductile Iron
Resilient Parts	Teflon
Clapper Disc	Stainless Steel
Bleeder Valve	Stainless Steel



Bolt Stud and Nut Assemblies

Part Number	Consists of	For Use With:	For Connection To:	Number Required
7560-63	1-Bolt Stud and Nut	All RegO Multiports®	Modified 3" - 300# and 4"-ANSI 300# Welding Neck Flange	8
7560-64			Manhole Cover Plate	

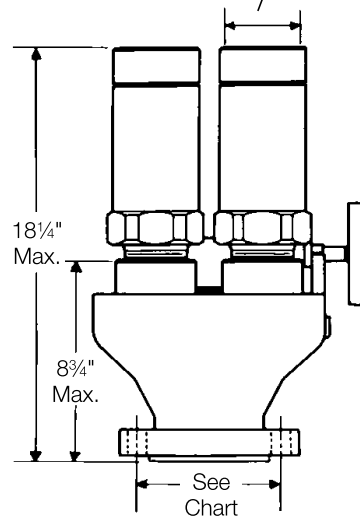
NOTE: Studs and Nuts are not included.

Relief Valve Materials

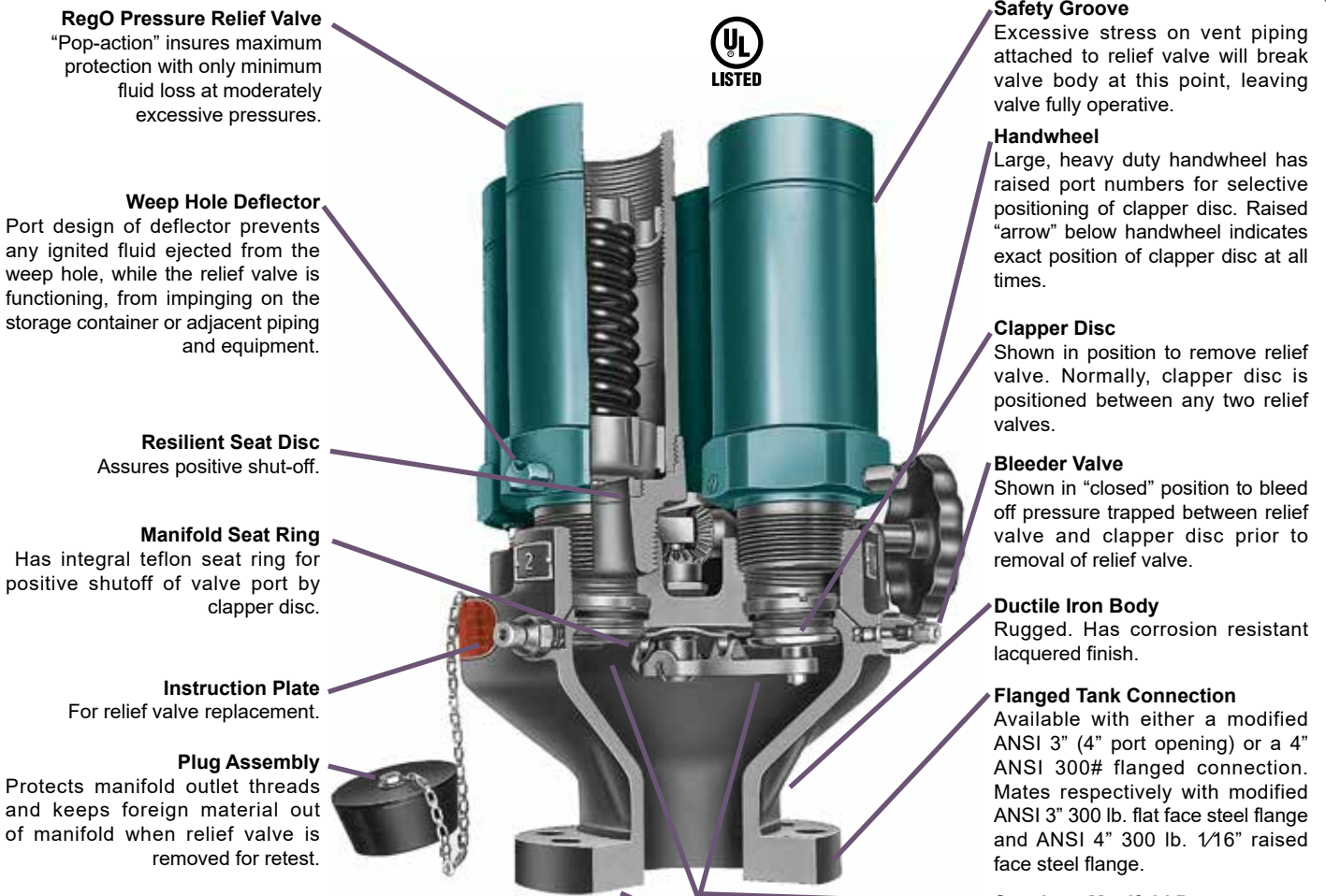
Description	A8563, A8564, A8573, A8574
Body	Upper Cold Rolled Steel Lower Ductile Iron
Liner	Stainless Steel
Spring Guide	Stainless Steel
Spring	Coated Steel
Seat Disc	Resilient Synthetic Rubber

*A special coating is applied to the inlet threads to minimize possibility of electrolytic action.

Pipe-Away Section Will Accept 3" NPT Pipe



Typical RegO Multiport® Pressure Relief Valve Manifold



RegO Pressure Relief Valve
"Pop-action" insures maximum protection with only minimum fluid loss at moderately excessive pressures.

Weep Hole Deflector
Port design of deflector prevents any ignited fluid ejected from the weep hole, while the relief valve is functioning, from impinging on the storage container or adjacent piping and equipment.

Resilient Seat Disc
Assures positive shut-off.

Manifold Seat Ring
Has integral teflon seat ring for positive shutoff of valve port by clapper disc.

Instruction Plate
For relief valve replacement.

Plug Assembly
Protects manifold outlet threads and keeps foreign material out of manifold when relief valve is removed for retest.



Safety Groove
Excessive stress on vent piping attached to relief valve will break valve body at this point, leaving valve fully operative.

Handwheel
Large, heavy duty handwheel has raised port numbers for selective positioning of clapper disc. Raised "arrow" below handwheel indicates exact position of clapper disc at all times.

Clapper Disc
Shown in position to remove relief valve. Normally, clapper disc is positioned between any two relief valves.

Bleeder Valve
Shown in "closed" position to bleed off pressure trapped between relief valve and clapper disc prior to removal of relief valve.

Ductile Iron Body
Rugged. Has corrosion resistant lacquered finish.

Flanged Tank Connection
Available with either a modified ANSI 3" (4" port opening) or a 4" ANSI 300# flanged connection. Mates respectively with modified ANSI 3" 300 lb. flat face steel flange and ANSI 4" 300 lb. 1/16" raised face steel flange.

Spacious Manifold Port
Passages large unobstructed throat ensures minimum capacity loss. Manifold is bolted directly to storage container opening, eliminating any restrictions.

Gasket
Johns-Manville Flexitallic flange gasket furnished with each manifold assembly.

Flange Dimensions

Manifold Series	Flange Size	Flange Drilling	Port Diameter	Flange Gasket
A8560	Modified 3" 300# (4" Port Dia)	(8) 7/8" Bolt Holes on a 6 5/8" Bolt Circle Diameter Flat Faced.	4"	3" 7564-48
A8570	4" ANSI 300#	(8) 7/8" Bolt Holes on a 7 7/8" Bolt Circle Diameter 1/16" Raised Faced.	4"	4" 7565-48



Ordering Information

Part Number	Start To Discharge Setting PSIG	Application		Container Flange Connection	Quantity	Relief Valve			Flow Capacity SCFM/Air** At 120% of Set Pressure	
		LP-Gas	NH ₃			Part Number	Inlet Connection M. NPT	Accessories Pipeaway Adapters	UL Rating	ASME Rating
A8563G****	250	Yes	Yes	3"-300#*	3	A3149G	2 1/2"	***	18,500 (2)	18,300 (2)
A8564G****					4				27,750 (3)	27,450 (3)
A8573G				4"-300#	3				18,500 (2)	18,300 (2)
A8574G****					4				27,750 (3)	27,450 (3)

* For use with modified 300# ANSI flange with 4" port.

** Flow rating based on number of relief valves indicated in parentheses (). Flow rates shown are for bare relief valves. Adapters and pipeaways will reduce flow rates as discussed in the Foreword section.

*** Outlet 3 1/2-8N (F) thread, will accept 3" M. NPT pipe thread.

**** Available as a bare manifold assembly

Adhesive Warning Label

8545-500

The following warning information, Part Number 8545-500, is included with each shipment of pressure relief valves and relief valve manifolds to the first purchaser of the product from the factory.

This information is intended to be forwarded throughout the product distribution chain. Additional copies are available from RegO and Authorized Product Distributors.

Part Number	
8545-500	Adhesive Warning Label

DANGER READ THIS FIRST WARNING
LP-GAS IS EXTREMELY FLAMMABLE AND EXPLOSIVE

AVOID SERIOUS INJURY AND PROPERTY DAMAGE. IF YOU SEE, SMELL OR HEAR ESCAPING GAS, EVACUATE AREA IMMEDIATELY! CALL YOUR LOCAL FIRE DEPARTMENT! DO NOT ATTEMPT TO REPAIR. DO NOT STORE IN BUILDING OR ENCLOSED AREA. DO NOT USE ON HOT AIR BALLOONS OR AIRCRAFT.

Make sure you are thoroughly trained before you attempt any pressure relief installation or maintenance. Improper conditions or procedures can cause accidents resulting in property damage and personal injury.

Become thoroughly familiar with NPGA Safety Pamphlet 306 "LP-Gas Regulator and Valve Inspections & Maintenance" and RegO Safety Warning "Pressure Relief Valves" found in the relief valve section of the L-500 & L-102 Catalogs. Follow its recommendations.

Know and understand NFPA Pamphlet 58 "Liquefied Petroleum Gas Code", which is the law in many states. This publication is available from NFPA, Batterymarch Park, Quincy, MA 02269. Following its requirements is essential in the safe use of LP-Gas. Section 4.4 states: "Persons who transfer liquid LP-Gas, who are employed to transport LP-Gas, or whose primary duties fall within the scope of this code shall be trained in proper handling procedures. Refresher training shall be provided at least every three years and shall be documented."

Make sure this valve is the proper one for this installation. Avoid misusing LP-Gas equipment. Flow rates in the charts are for bare relief valves found in the relief valve section of the L500 & L-102 Catalogs. The addition of deflectors, pipeaway adapters and piping will restrict the flow. To properly protect any container, the total system flow must be sufficient to relieve pressure at the pressure setting of the relief valve in accordance with all applicable codes.

Use only RegO adapters on RegO relief valves. Adapters not designed specifically for piping away RegO relief valves, such as those with 90° turns or reduced internal diameters, will decrease flow dramatically. These should never be used as they can cause the relief valve to chatter and eventually destroy itself.

Apply thread joint compound compatible with LP-Gas on valve external threads only. Make sure compound never comes into contact with other parts of the valve.

Install valves by applying force to wrenching flats only.

Tighten pipe threads approximately 1 to 1½ turns beyond the hand-tight insertion point using a wrench which avoids damage to other valve parts.

Check for damage after valve installation. Check that the pressure relief valve is clean and free of foreign material. Make sure protective cap is properly in place.

Check that there are no leaks with a non-corrosive leak detection solution before filling with LP-Gas.

Purge container before filling with LP-Gas (refer to the RegO LP-Gas Serviceman's Manual for recommended procedure.)

In selecting a label for posting at the installation site, consider RegO part number 901-400 along with your own, NPGA's and others.

Remember to instruct the owner/user/customer in safety matters concerning LP-Gas and this equipment. See RegO Safety Warning "Pressure Relief Valves" found in the relief valve section of the L-500 & L-102 Catalogs.

RegO requests that this information be forwarded to your customers. Additional copies are available from RegO and your authorized RegO Distributor.

REGO
Elon, N.C. 27244 U.S.A. Phone (336) 449-7707 Fax (336) 449-6594 www.regoproducts.com

Printed in USA 07A-0910-0386
Part number 8545-500

8545-500

D

Section E
Globe and Angle Valves

E

RegO Limited Express Warranty and Limitation of Liability

10-YEAR LIMITED EXPRESS WARRANTY

NOTICE

Failure to install parts exactly as described in the instructions could result in a product that will not perform properly or satisfactorily. Even if parts are correctly installed, the product might fail to perform properly or satisfactorily if other parts are worn, corroded or dirty. Improper repair can cause leaks and malfunction, which could result in significant bodily injury, including death and/or property damage. Any such use or installation of parts must ONLY be done by experienced and properly trained personnel using accepted governmental and industrial safety procedures. Engineered Controls International, LLC ("RegO") assumes no responsibility or liability for performance of products repaired in the field. It must be clearly understood that the person or organization repairing any product(s) in the field assumes total responsibility for the safe and proper performance of the product.

WARNING

All RegO products are mechanical devices that will eventually become inoperative due to wear, corrosion and aging of components made of materials such as rubber, plastic, etc. The environment and conditions of use will determine the safe service life of these products. Periodic inspection and maintenance are essential to avoid serious injury and property damage. Many RegO products are manufactured components which are incorporated by others on or in other products or systems used for storage, transport, transfer and otherwise for use of toxic, flammable and dangerous liquids and gases. Such substances must be handled by experienced and trained personnel only, using accepted governmental and industrial safety procedures.

LP-Gas is a highly explosive and flammable gas that should never be vented near a possible ignition source.

10-YEAR LIMITED EXPRESS WARRANTY

RegO warrants products and repair kits manufactured by it (other than its Presto-Link and Presto-Tap products) to be free from defects in materials and workmanship under normal use and service for a period of 10 years from the date of manufacture. If within 30 days after buyer's discovery of what buyer believes is a defect, buyer notifies RegO thereof in writing and ships the product (at buyer's expense) to RegO at 100 RegO Drive, Elon, N.C. 27244, RegO, at its option, and within 45 days, will repair, replace F.O.B. point of manufacture, or refund the purchase price of that part or product found by it to be defective. Failure of buyer to give such written notice and return the product within 30 days shall be deemed an absolute and unconditional waiver of any and all claims of buyer arising out of such defect. This limited express warranty does not extend to any product or part that is not installed and used continuously after installation in accordance with RegO's printed instructions, all applicable state and local regulations, and all applicable national standards, such as those promulgated by NFPA, DOT and ANSI. This limited express warranty does not extend to any product or part that has been damaged by accident, misuse, abuse, failure to maintain or neglect, nor does it extend to any product or part which has been modified, altered, disassembled or repaired in the field. This limited express warranty does not cover any cosmetic issues, such as scratches, dents, marring, fading of colors or discoloration.

EXCEPT AS EXPRESSLY SET FORTH ABOVE, AND SUBJECT TO THE LIMITATION OF LIABILITY BELOW, REGO MAKES NO OTHER WARRANTY, AND EXPRESSLY DISCLAIMS, ANY EXPRESS OR IMPLIED WARRANTIES, INCLUDING BUT NOT LIMITED TO THE IMPLIED WARRANTIES OF MERCHANTABILITY AND FITNESS FOR A PARTICULAR PURPOSE AND AGAINST HIDDEN OR LATENT DEFECTS, WITH RESPECT TO ITS PRODUCTS AND PARTS, WHETHER USED ALONE OR IN A COMBINATION WITH OTHERS. REGO DISCLAIMS ALL WARRANTIES NOT STATED HEREIN.

This limited express warranty is given by Engineered Controls International, LLC, of 100 RegO Drive Elon, N.C. 27244 USA, (336) 449-7707.

LIMITATION OF LIABILITY

RegO total liability for any and all losses and damages arising out of any cause whatsoever shall in no event exceed the purchase price of the products or parts in respect of which such a cause arises, whether such cause be based on theories of contract, negligence, strict liability, tort or otherwise. RegO shall not be liable for incidental, consequential or punitive damages or other losses. RegO shall not be liable for, and buyer assumes liability for all personal injury and property damage connected with the handling, transportation, possession, further manufacture, other use or resale of products, whether used alone or in combination with any other products or material. From time to time buyers might call to ask RegO for technical advice based upon limited facts disclosed to RegO. If RegO furnishes technical advice to buyer, whether at buyer's request, with respect to application, further manufacture or other use of the products and parts, RegO shall not be liable for such technical advice provided to buyer by any third party and buyer assumes all risk of such advice and the results thereof.

NOTE:

Some states do not allow the exclusion or limitation of incidental, consequential or punitive damages, so the above limitation or exclusion may not apply to you. This warranty gives you specific legal rights, and you may have other rights that vary from state to state. The portions of this limited express warranty and limitation of liability shall be considered severable and all portions which are not disallowed by applicable law shall remain in full force and effect. The benefits given by the limited express warranty above are in addition to any other rights and remedies to which you may be entitled by law.

NOTE TO AUSTRALIAN PURCHASERS:

The following applies if you purchased this product as a "consumer" as defined in the Australian Consumer Law. Our goods come with guarantees that cannot be excluded under the Australian Consumer Law. You are entitled to a replacement or refund for a major failure and compensation for any other reasonably foreseeable loss or damage. You are also entitled to have the goods repaired or replaced if the goods fail to be of acceptable quality and the failure does not amount to a major failure. Information regarding how to return a product and make a claim under this limited express warranty is set forth below. Nothing in this document purports to modify or exclude your rights if any under the Australian Consumer Law, or other laws which cannot be lawfully be modified or excluded.

NOTICE TO USERS OF PRODUCTS

The limited express warranty stated above is a factory warranty to the first purchasers of RegO products. Since most users have purchased these products from RegO distributors, to make a claim under this limited express warranty the user must, within 30 days after the user's discovery of what the user believes is a defect, notify in writing the distributor from whom he purchased the product or parts, and return the product or parts (at the user's expense) to that distributor. The distributor may or may not at the distributor's option, choose to submit the product or parts to RegO, pursuant to its limited express warranty. Failure by buyer to give such written notice within 30 days shall be deemed an absolute and unconditional waiver of buyer's claim for such defects. Acceptance of any alleged defective product or parts by RegO distributor for replacement or repairs under terms of RegO limited express warranty in no way obligates RegO to the terms of the above warranty. Because of a policy of continuous product improvement, RegO reserves the right to change designs, materials or specification without notice.

Except as expressly set out above, RegO makes no warranties in relation to RegO products and RegO's liability in respect of any allegedly defective product is limited to the cost of replacing or repairing the product.

100 RegO Drive, Elon, N.C. 27244 U.S.A. Phone +1 (336) 449-7707 Fax (336) 449-6594 www.regoproducts.com RegO is a registered trademark of Engineered Controls International, LLC.

Foreword

This catalog describes a complete line of equipment available from RegO® for use with Liquid Propane (LP)-Gas and anhydrous ammonia (NH₃). The following points are important to know for proper use of the catalog:

1. Illustrations and drawings of individual products are representative of “product groups” and all products within a product group are similar in construction.
2. Materials used for construction of products in this catalog are suitable for rated service pressure at temperatures of -40°F to +165°F, unless otherwise specified.
3. Products in this catalog are only intended for use in LP-Gas and/or anhydrous ammonia service as follows.
 - a. “A” or “AA” prefix — Products with this prefix are suitable for NH₃ service (i.e., contain no brass parts).
 - b. “AA” prefix on relief valves — These valves are NOT suitable for use with LP-Gas service. These are of partial aluminum materials and are listed by Underwriters Laboratories (UL) for NH₃ service only.
 - c. All other products including “A” prefix are suitable for use with LP-Gas & NH₃ service.
 - d. “SS” prefix—Hydrostatic relief valve with this prefix are suitable for NH₃ and LP-Gas service (i.e., they have stainless steel materials).
4. We manufacture valves and adapters designed to be used on LP-Gas and Anhydrous Ammonia systems, we do not design systems or consult in system design. For this type of information consult a professional Engineer.

Caution

Do not use any product contained in this catalog with any service commodity other than LP-Gas or NH₃. If you have a need for use of another application, contact RegO, 100 RegO Drive, Elon, NC 27244, (336) 449-7707 ecii@regoproducts.com before proceeding.

Proper application, installation and maintenance of products in this catalog are essential. Users of these products should obtain further information if there are any doubts or questions.

Warning

All RegO products are mechanical devices that will eventually become inoperative due to wear, corrosion and aging of components made of materials such as rubber. The environment and conditions of use will determine the safe service life of these products. Periodic inspection and maintenance are essential to avoid serious injury and property damage.

Many RegO products are manufactured for storage, transport, transfer and use of toxic flammable and dangerous liquids and gases. Such substances should be handled by experienced and trained personnel only, using accepted governmental and industrial safety procedures. Never vent LP-Gas near any possible source of ignition.

Notice

Installation, usage, and maintenance of all RegO products must be in compliance with all RegO instructions as well as requirements and provisions of NFPA #54, NFPA#58, DOT, ANSI, and all applicable federal, state, provincial and local standards, codes, regulations, and laws.

Inspection and maintenance on a periodic basis is essential. Installation and maintenance should be performed only by qualified personnel.

Be sure all instructions are read and understood before installation, operation and service.

Filters

RegO LP-Gas equipment is designed to operate in a system free from contamination. A variety of in-line filters are commercially available to the LP-Gas industry for installation in domestic systems.

The use of an in-line filter should be considered when other system components may be unclean and the system contaminated by rust, scale, dirt, debris or other foreign material.

LP-Gas Hose-End Filling Valves (With ACME Connectors)

Safety Warnings



Purpose

In its continuing quest for safety, RegO publishes a series of bulletins explaining the hazards associated with the use, misuse, and aging of LP-Gas valves and regulators. It is hoped that these factual bulletins will make clear to LP-Gas dealer managers and service personnel, that the utmost care and attention must be used in the installation, inspection, and maintenance of these products, or problems could occur which would result in injuries and property damage.

The National Fire Protection Association NFPA 58 Liquefied Petroleum Gas Code - 2024 Edition states in Section 4.4 Qualification of Personnel; "Persons whose duties fall within the scope of this code shall be provided with training that is consistent with the scope of their job activities and that includes proper handling and emergency response procedures. Refresher training shall be provided at least every 3 years, initial and subsequent training shall be documented". These "RegO Safety Warnings" may be useful in training new employees and reminding older employees of hazards that can occur. It is recommended that all employees complete the Propane Education Research Council's Certified Employee Training Program.

Nature of Warnings

It is recognized that warnings should be as brief as possible, but factors involved in filler valve and filling valves failure are not simple. They need to be fully understood so that proper procedures and maintenance can be used to prevent accidents. If there is a simple warning, it would be:

Loosen filling valve from filler valve very slowly. If there is a leak, know procedure to follow.

This bulletin is not intended to be an exhaustive treatment of the subject of filler valves and certainly does not cover all safety practices that should be followed in the installation, operation and maintenance of LP-Gas systems, which include filler and filling valves.

Hose-End Filling Valves With ACME Connectors

Hose-end valves must never be dragged over the ground or dropped or banged into the truck when the hose is reeled in.

They could open accidentally or they could be damaged. Dragging will cause abnormal wear and eventual valve failure. Foreign material will lodge in the connector which can cause failure of the filler valve.

To prevent hazardous conditions, operators should follow this procedure on every filling application:

Always wear gloves and eye protection.

Check for foreign material in hose-end valve and the filler valve, and if present, remove with extreme care. If material cannot be safely removed, do not proceed with filling and replace valve.

Make sure the ACME connector spins on easily by hand.

If leak is noticed when filling is started, stop the operation and correct the leaking condition.

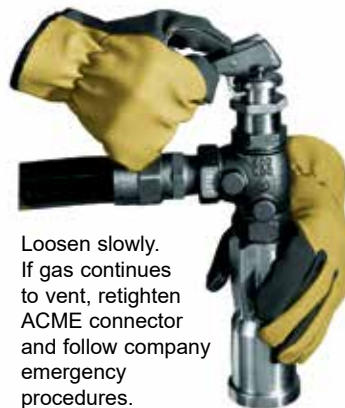
After filling, bleed the gas trapped between the filler valve and hose-end valve by using the vent on the hose-end valve or by slightly loosening coupling nut to vent the gas before disconnecting.

If gas does not stop venting, then filler valve or hose-end valve is leaking. Do not disconnect filling connector. This is a hazardous situation and your company procedure for handling this problem must be carefully followed.

Make sure your company has such a procedure. Inspection of Filling Valves with Handwheel

Valves should be inspected at least once a month to be sure that the valve handle is tight and not damaged, that the stem is not bent and that there is no "play" in the threads in the bonnet. "Play" will normally not be noticed if the valve is under pressure.

The ACME threads should be examined for wear, dents or nicks and the seating area should be clean and smooth.



Loosen slowly. If gas continues to vent, retighten ACME connector and follow company emergency procedures.

Inspection of Quick Acting Filling Valves

Valves should be inspected daily to make sure locking mechanism functions properly.

The ACME threads should be examined for wear, dents or nicks and the seating area should be clean and smooth.

The retaining ring on the filler connection should be examined to make sure it is properly holding the female ACME rotating nut or handle so as to keep the surface that seats on the filler valve gasket protected.

If any problems are evident, valves should be immediately replaced or repaired.

Larger Filler and Filling Valves

For 2¼" and 3¼" valves with ACME connections, use only the special wrenches designed for the purpose.

Do not use pipe wrenches or hammers to tighten the connections. All of the previous warnings about the smaller valves also apply here.

General Warning

All RegO products are mechanical devices that will eventually become inoperative due to wear, contaminants, corrosion and aging components made of materials such as rubber and metal. The environment and conditions of use will determine the safe service life of these products. Periodic inspection and maintenance are essential. Because RegO products have a long and proven record of quality and service, LP-Gas dealers may forget the hazards that can occur because a filler valve or a filling valve is used beyond its safe service life. Life of these valves is determined by the environment in which they "live." The LP-Gas dealer knows better than anyone what this environment is. Note: There is a developing trend in state legislation and in proposed national legislation to make the owner of products responsible for replacing products before they reach the end of their safe useful life. LP-Gas dealers should be aware of the legislation which could affect them.

Quick-Acting Minimum Loss Hose-End Valves for Bobtail Delivery Trucks and Dispensing Stations A7793A and A7797A

Application

Designed to vastly reduce the amount of product vented when disconnecting bobtail delivery trucks, dispensing systems and anhydrous ammonia nurse tanks. These valves provide instant, full-on flow at the flip of a handle. Shut-off is instant and the handle locks for added protection. This "top of the line" hose-end valve is a fully contained unit that does not require additional filling adapters or connectors.

Features

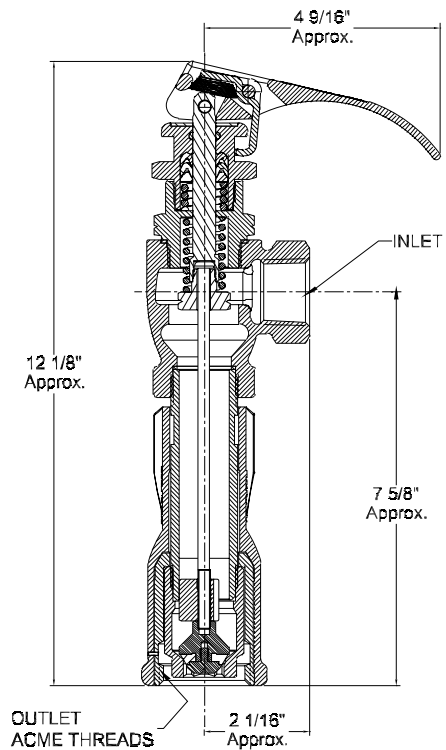
- Minimizes product venting loss, when disconnecting, instantly by housing the seat disc at the bottom of the built-in ACME filling connector.
- Vents less than 2cc of liquid when disconnected.
- "V"-ring spring-loaded pressure seal design provides for dependable, leak-free operation. No packing to retighten or replace.
- Operator friendly. Contoured handle rotates a full 360° and large, easy to grip filling connector make the valve easy to handle.
- Self locking handle is operator opened and closed to prevent against accidental opening of the valve.
- Temperature range of -40°F to +165°F. (-40°C to +73°C)
- MAWP: 400 PSIG(27 Bar)

Materials

Body	Ductile Iron
"V"-Ring	Teflon
Stem	Stainless Steel
Seat Disc	Synthetic Elastomer
ACME Connector.....	Aluminum w/Steel Insert
Seal Housing	Stainless Steel
Lever.....	Stainless Steel
Bonnet	Cadmium Plated Steel



A7793



Ordering Information

Part Number	Inlet Connection (F. NPT)	Outlet Connection (F. ACME)	Locking Handle	Flow at 1 PSIG (Cv) Pressure Drop* (GPM/Propane)
A7793A	¾"	1 ¾"	Yes	16.0
A7797A	1"	1 ¾"	Yes	16.0

* To obtain approximate flow at other than 1 PSIG pressure drop, multiply flow in table by square root of pressure drop. Example: A7797 @ 9 PSIG = 16.0 x√9 = 48.0 GPM/propane. For NH₃ flow, multiply propane flow by .90.

Quick-Acting Low Emission Unloading Adapter for Bobtail Delivery Trucks and Dispensing Stations A7797L and A7793L

Application

Designed to vastly reduce the amount of product vented when disconnecting bobtail delivery trucks, dispensing systems and anhydrous ammonia nurse tanks. These valves provide instant, full-on flow at the flip of a handle. Shut-off is instant and the handle locks for added protection. This "top of the line" hose-end valve is a fully contained unit that does not require additional filling adapters or connectors.

Features & Benefits

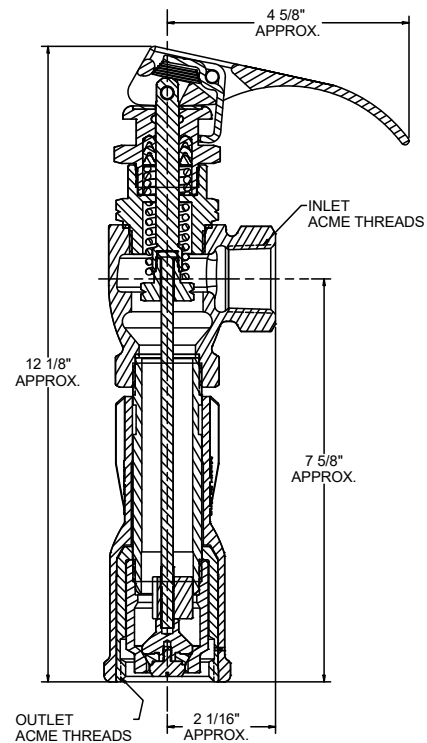
- Minimizes product venting loss, when disconnecting, instantly by housing the seat disc at the bottom of the built-in ACME filling connector.
- Vents less than 0.5cc of liquid when disconnected.
- "V"-ring spring-loaded pressure seal design provides for dependable, leak-free operation. No packing to retighten or replace.
- Operator friendly. Contoured handle rotates a full 360° and large, easy to grip filling connector make the valve easy to handle.
- Self locking handle is operator opened and closed to prevent against accidental opening of the valve.
- Meets Mexican Standard NMX-X-023-SCFI-2013
- Temperature range of -40°F to +165°F. (-40°C to +73°C)
- MAWP: 400 PSIG(27 Bar)



A7793L

Materials

Body	Ductile Iron
"V"-Ring	Teflon
Stem	Stainless Steel
Seat Disc	Synthetic Elastomer
ACME Connector.....	Aluminum w/Steel Insert
Seal Housing	Stainless Steel
Lever.....	Stainless Steel
Bonnet.....	Cadmium Plated Steel



Ordering Information

Part Number	Inlet Connection (F. NPT)	Outlet Connection (F. ACME)	Locking Handle	Flow at 1 PSIG (Cv) Pressure Drop* (GPM/Propane)
A7793L	3/4"	1 3/4"	Yes	3.61
A7797L	1"			4.42

Quick-Acting Hose-End Valves for Bobtail Delivery Trucks and Dispensing Stations A7707L and A7708L

Application

Designed especially for safe operator handling of LP-Gas in bobtail delivery truck, dispensing systems and anhydrous ammonia nurse tank service.

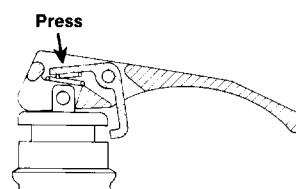
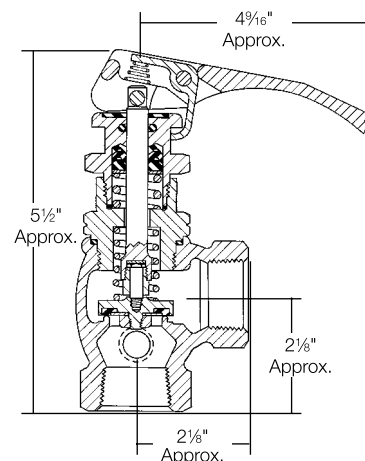
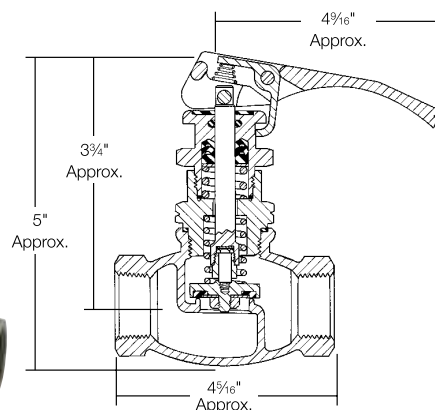
These valves provide instant, full-on flow at the flip of the handle and provide instant positive shut-off with a handle lock for added protection.

Features

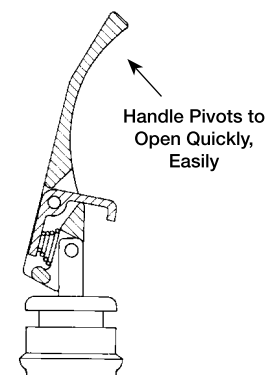
- "V"-ring spring-loaded pressure stem seal provides for leak-proof operation. No packing to retighten or replace.
- Self locking handle is operator opened and closed to prevent against accidental opening of the valve.
- Large, contoured handle provides firm, comfortable grip.
- Full swivel handle rotates 360° so the valve can be operated from any angle.
- Built-in vent valve on the downstream side of the valve permits bleeding of trapped product to ensure safe uncoupling.
- Can be used with a variety of RegO filling adapter connectors.
- Swivel seat disc minimizes grinding on the body seat and ensures longer service life.
- Temperature range of -40°F to +165°F. (-40°C to +73°C)
- MAWP: 400 PSIG(27 Bar)

Materials

Body	Ductile Iron
"V"-Ring	Teflon
Stem	Stainless Steel
Seat Disc	Synthetic Elastomer
Valve Lever	Stainless Steel
Seal Housing	Stainless Steel
Bonnet	Cadmium Plated Steel



Spring-Loaded Thumb-Button Opens Latch



Ordering Information

Part Number	Body Design	Inlet & Outlet Connection (F. NPT)	Locking Handle	Flow at 1 PSIG Pressure Drop (Cv) (GPM/Propane)**	Accessories		
					Filling Connectors**		
					Extended	Compact	
					Steel	Brass	Steel
A7707L	Straight	1"	Yes	18.0	A7575L4	3175A	A3175A
A7708L	Angle			22.0			

* To obtain approximate flow at other than 1 PSIG pressure drop, multiply flow in table by square root of pressure drop. Example: A7708L @ 9 PSIG = 22.0 x √9 = 66.0 GPM/propane. For NH₃ flow, multiply propane flow by .90.

** See appropriate catalog section for additional information.

Quick-Acting Valves for Crop Driers and Charging Manifold Hoses

7554 Series

Application

7554S Series valves provide instant shut-off and fast opening control on LP-Gas crop driers. They are also ideal for charging manifold hoses, stationary fuel transfer hoses and other applications requiring quick, positive shut-off. They are not for use with delivery truck hoses because the handle could snag on the ground and open the valve as the hose is reeled back to the truck.

7554L Series valves feature a locking handle device to help prevent accidental opening of the valve. It is ideal for all the same applications as the 7554S Series and may be used on delivery trucks as it incorporates the locking handle design.

Both valve series must be installed so that flow through the valve is opposite to that of a conventional globe valve. This allows the inlet flow to assist in closing the valve and prevents the valve from being opened by high pump pressures.

Features

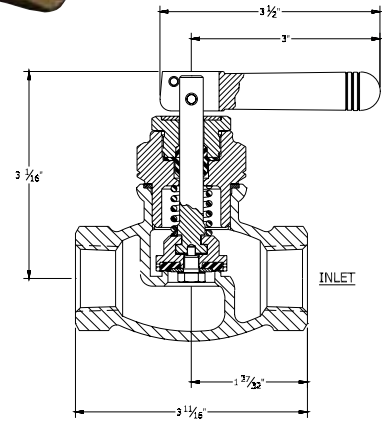
- Quick-acting design speeds transfer operations, permitting rapid, one-handed opening and closing.
- Resilient seat disc provides positive shut-off.
- Flange seal stem design provides for leak-proof operation. No packing to retighten or replace.
- 7554L Series incorporates locking handle to prevent accidental opening of the valve.
- Vent valve installed on the downstream side of the valve permits bleeding of trapped product to ensure safe uncoupling.
- Swivel seat disc minimizes grinding on the body seat and ensures longer service life.
- Temperature range of -40°F to +165°F. (-40°C to +73°C)
- MAWP: 400 PSIG(27 Bar)

Materials

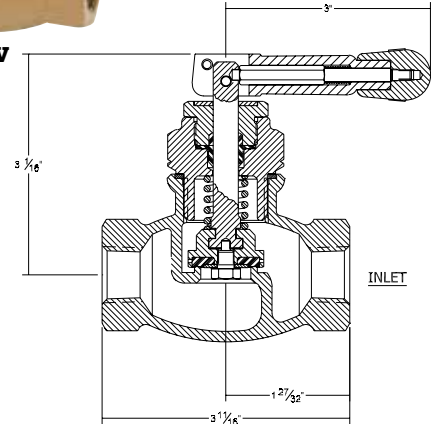
Body	Ductile Iron
Bonnet	Brass
Stem Seal	Teflon
Stem	Stainless Steel
Seat Disc	Nitrile Elastomer
Seal Housing	Brass
Lever	Brass



7554S



7554LV



Ordering Information

Part Number	Inlet & Outlet Connection (F. NPT)	Locking Handle	Flow At 1 PSIG (Cv) Pressure Drop* (GPM/Propane)
7554SAV	1/2"	No	7.3
7554LAV		Yes	
7554SV	3/4"	No	11.3
7554LV		Yes	

* To obtain approximate flow at other than 1 PSIG pressure drop, multiply flow in table by square root of pressure drop. Example: 7554LV @ 9 PSIG = 11.5 X $\sqrt{9}$ = 34.5 GPM/propane.

Quick-Acting Valves for Cylinder Charging Hoses 7053T and 7901T Series

Application

Designed primarily for use on cylinder charging hoses to provide fast, convenient shut-off and fast opening.

These valves must be installed so that flow through the valve is in the opposite direction to that of a conventional globe valve. This allows the inlet flow to assist in closing the valve, and even more important, helps prevent the valve from being forced open by high pump pressure.

Features

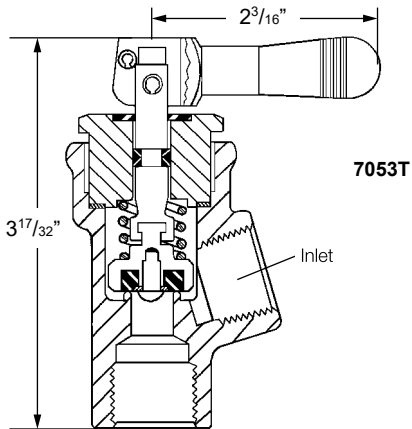
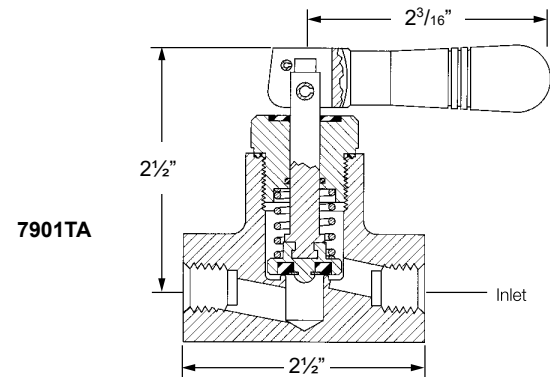
- Quick-acting design speeds transfer operations.
- Permits easy, one-handed opening and closing of the valve.
- O-ring stem seal design.
- Provides quick, positive shut-off.
- Temperature range of -40°F to +165°F. (-40°C to +73°C)
- MAWP: 400 PSIG(27 Bar)

Materials

Body (7053T, 7901)..... Forged Brass
 O-Ring..... Resilient Synthetic Rubber
 Bonnet Assembly (7053T, 7901)..... Brass
 Seat Disc..... Resilient Synthetic Rubber
 Handle (7053T, 7901)..... Brass
 Springs..... Stainless Steel



7901T



Ordering Information

Part Number	Inlet Connection (F. NPT)	Outlet Connection (F. NPT)	Body Material	Flow At 1 PSIG (CV) Pressure Drop* (GPM/Propane)
7901T	1/4"	1/4"	Brass	1.95
7901TA	3/8"	3/8"		
7901TB	1/2"	1/4"		
7901TC		1/2"		
7053T		1/2"		

* To obtain approximate flow at other than 1 PSIG pressure drop, multiply flow in table by square root of pressure drop. Example: 7901T @ 9 PSIG = $\sqrt{1.95 \times 9} = 5.85$ GPM/propane. For NH3 flow, multiply propane flow by .90.

Quick-Acting Valves for Dispensing Hoses

7901TL Series

Application

Designed primarily for use on dispensing hoses to provide safe, convenient shut-off and fast opening. These valves feature a locking handle device to help prevent accidental opening of the valve.



Features

- Quick-acting design speeds transfer operations.
- Permits easy, one-handed opening and closing of the valve.
- O-ring stem seal design.
- Provides quick, positive shut-off.
- Locking handle device is operator opened and closed to prevent against accidental opening of the valve.
- Temperature range of -40°F to +165°F. (-40°C to +73°C)
- MAWP: 400 PSIG(27 Bar)



7901TL Series

Materials

Body Forged Brass
 O-Ring Resilient Synthetic Rubber
 Bonnet Assembly..... Brass
 Seat Disc Resilient Synthetic Rubber
 Handle Brass
 SpringsStainless Steel



Ordering Information For hose end adapters see section J

Part Number	Inlet Connection (F. NPT)	Outlet Connection (F. NPT)	Body Material	Flow At 1 PSIG (CV) Pressure Drop* (GPM/Propane)
7901TLA	3/8"	3/8"	Brass	1.95
7901TLB	1/2"	1/4"		
7901TLC		1/2"		

* To obtain approximate flow at other than 1 PSIG pressure drop, multiply flow in table by square root of pressure drop. Example: 7901T @ 9 PSIG = 1.95 x $\sqrt{9}$ = 5.85 GPM/propane. For NH3 flow, multiply propane flow by .90.

“V”-Ring Seal Globe and Angle Valve Information

General Information

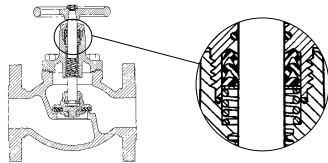
RegO Globe and Angle Valves are designed and manufactured especially to meet the rigid requirements of the LP-Gas industry. The high quality construction and wide variety of sizes and styles also make them highly suited to many other industries such as anhydrous ammonia, chemical and petrochemical.

These ductile iron valves are available in both threaded and flanged connections. Threaded connections are available in ½" F. NPT to 3" F. NPT sizes. Flanged connections are available in 1½", 2" and 3" pipe sizes.

The ductile iron used in these valves has a 60,000 PSIG tensile strength which closely approaches that of steel castings. Its yield strength of 45,000 PSIG and elongation of 15% is also comparable to that of steel castings. These material features ensure the ability of the valve body to withstand impact, wrenching stresses and thermal shock. This ductile iron conforms to ASTM specification A395.

RegO globe and angle valves are designed for working pressures up to 400 PSIG WOG and for operating temperatures from -40° F. to +160° F.

“V”-Ring Stem Seal



The “V”-ring spring-loaded pressure seal used in these RegO globe and angle valves is the most effective stem seal yet developed. It should not be confused with conventional valve stem packing where the seal is obtained by compressing the packing around the stem by means of a packing gland with resultant hard operation and frequent packing replacement.

The wax like surface of the teflon “V”-ring seal and consequent low friction ensures leak-tight performance for an indefinite period where periodic retightening of the packing is not required and the seal provides extra long service life.

In the RegO “V”-ring design, the seal is effected by the pressure expanding the “V”-shape of the seal, forcing it against the stem and bonnet surfaces to prevent leakage. The higher the pressure within the valve, the more effective the seal becomes. A spring loaded washer under the “V”-rings keeps them in an expanded position to ensure an effective seal under low pressure conditions. A wiper ring, located above the seal, keeps the seal free from grit, and/or other foreign material that may hamper operation.

Installation and Operation Note

Containers and pipe lines should be thoroughly cleaned before globe and angle valves are installed. Large particles of solid foreign matter can permanently damage the seating surface in the valve body, causing the valve to leak. Use a minimum amount of a suitable pipe dope on the male connecting threads as excess amounts may fall off and be carried into the valve, causing damage to the seat or other operating parts.

It is totally unnecessary to use excess force in opening or closing RegO valves. The type of seat disc material used and the general design of these valves permits them to be opened and closed easily. Proper valve operation insures unusually long life.

Wrenches must never be used to operate valves equipped with handwheels and designed for hand operation.

Downstream Accessory Boss

These RegO valves incorporate a plugged ¼" F. NPT boss on the downstream side of the body for attaching either a hydrostatic relief valve or vent valve. Boss size on the 2" and 3" valves has been increased to allow a ¾" drilling for accommodation of a standard by-pass valve or jumper lines.

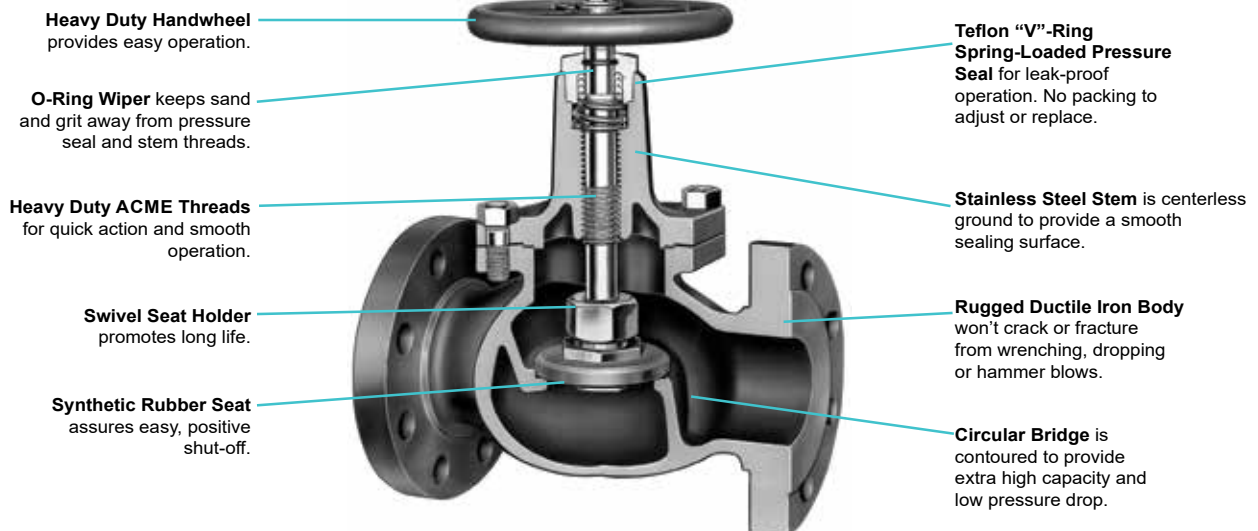
Hydrostatic Relief—When the design of the piping installation is such that liquid may be locked between two shut-off valves, a hydrostatic relief valve should be installed in the lines between the valves. The pressures which can develop due to temperature increase in a liquid fill line are tremendous and can easily damage the valves or piping unless a hydrostatic relief valve is installed.

Vent Valve—If the globe or angle valve is used as a shut-off valve on a loading hose, a vent valve should be installed in the downstream boss to allow liquid trapped beyond the shut-off valve to be vented before disconnecting the hose coupling.

Replace Gate Valves with Flanged Valves

Except for standard flange sizes, RegO Flanged Globe and Angle Valves are smaller and lighter than contemporary valves, thus reducing price and shipping costs and making them far easier to install. RegO face-to-face flange dimensions conform to gate valve dimensions, making replacement of most gate or plug valves with RegO valves simple and easy.

General Features



"V"-Ring Seal Globe and Angle Valves for Bulk Storage Containers, Transports, Bobtails and Plant Piping A7500 Series and TA7500 Series

Application

Specifically designed to ensure positive shut-off and long, maintenance free service life in liquid or vapor service on bulk storage containers, transports, bobtails, cylinder filling plants and plant piping.

The high quality construction and wide variety of sizes make them highly suited for use with LP-Gas, anhydrous ammonia and in the chemical and petrochemical industries.

Features

- "V"-ring spring-loaded pressure stem seal provides for leak-proof operation. No packing to retighten or replace.
- Circular bridge in the globe design and a dropped seat in the angle design achieve greater flow with less pressure drop.
- Swivel seat disc assembly minimizes the seat disc from grinding on the body seat. The seat disc stops rotating as soon as it touches the body seat. This feature provides for good seat alignment and ensures long seat life.
- ¼" F. NPT plugged boss on the downstream side of the valve body allows attachment of a hydrostatic relief valve or vent valve.
- "V"-ring stem seal virtually eliminates hard to turn handles frequently encountered with packed type seals.
- Heavy duty rolled ACME stem threads provide quick action and long service life.
- Temperature range of -40°F to +165°F. (-40°C to +73°C)
- MAWP: 400 PSIG(27 Bar)

Materials

Body Ductile Iron
 Bonnet (7034, 7505-7508)..... Steel
 Bonnet (7509-7518)..... Ductile Iron
 Valve Stem Stainless Steel
 Wiper Ring..... Synthetic Rubber
 Seat Disc See Ordering Chart
 "V"-Rings Teflon
 Handwheel..... Ductile Iron
 Spring Stainless Steel



A7518FP



TA7034



A7505AP



A7514AP



A7513AP



A7517AP



A7517FP



Ordering Information

Part Number				Inlet and Outlet Connection	Port Diameter	Flow at 1 PSIG Pressure Drop (Cv) (GPM/Propane)***		Accessories	
Buna N Seat Discs		Teflon Seat Discs*				Globe	Angle	Hydrostatic Relief Valve	Vent Valve
Globe	Angle	Globe	Angle						
-	-	TA7034P	TA7034LP	½" F. NPT	¾"	10.0	14.8	SS8001U	TSS3169
A7505AP	A7506AP	TA7505AP	TA7506AP	¾" F. NPT	1"	12.0	17.7		
A7507AP	A7508AP	TA7507AP	-	1" F. NPT	1¼"	17.8	22.0		
A7509BP	A7510BP	TA7509BP	TA7510BP	1¼" F. NPT	1½"	36.5	54.0		
A7511AP	A7512AP	TA7511AP	TA7512AP	1½" F. NPT	2"	43.0	55.5		
A7511FP	-	TA7511FP	-	1½" Flange**		46.0	-		
A7513AP	A7514AP	TA7513AP	-	2" F. NPT	75.0	88.5			
A7513FP	A7514FP	TA7513FP	TA7514FP	2" Flange**	78.0	133.0			
A7517AP	A7518AP	TA7517AP	-	3" F. NPT	3½"	197.0	303.0		
A7517FP	A7518FP	TA7517FP	-	3" Flange**					

* Teflon seat discs on valves built to order.

** 300# ANSI R.F. Flange.

*** To obtain approximate flow at other than 1 PSIG pressure drop, multiply flow in chart by square root of pressure drop. Example: 7514FP @ 9 PSIG = 133 x √9 = 399 GPM/propane. For NH₃ flow, multiple propane flow by .90.

Globe and Angle Valve Dimensions

Drawing	Valve Number (A or TA Prefix)	Inlet & Outlet	Port Diameter	Dimensions						
				A	B	C	Flanges			G
							D	E	F	
	7034P	1/2" F. NPT	3/4"	4 3/4"	-	3 1/16"	-	-	-	-
	7505AP	3/4" F. NPT				3 1/16"				
	7507AP	1" F. NPT	1"			4 5/16"				
	7034LP	1/2" F. NPT	3/4"	4 3/4"	1 3/4"	-	-	-	-	-
	7506AP	3/4" F. NPT								
	7508AP	1" F. NPT	1"							
	7509BP	1 1/4" F. NPT	1 1/4"	7 41/64"	-	4 7/8"	-	-	-	-
	7511AP	1 1/2" F. NPT	1 1/2"	6 3/4"		5 3/16"				
	7513AP	2" F. NPT	2"	7 7/16"		5 7/8"				
	7517AP	3" F. NPT	3 3/8"	13 1/4"		9"				
	7510BP	1 1/4" F. NPT	1 1/4"	6 3/4"	2 1/4"	-	-	-	-	5 1/4"
	7512AP	1 1/2" F. NPT	1 1/2"	6 13/16"	2 7/16"					
	7514AP	2" F. NPT	2"	7 7/16"	2 11/16"					
	7518AP	3" F. NPT	3 3/8"	11 3/4"	4"					
	7511FP	1 1/2" Flange	1 1/2"	7 9/16"	-	7 1/2"	6 1/8"	3/4"	2 7/8"	5 1/4"
	7513FP	2" Flange	2"	8 7/16"		8 1/2"	6 1/2"	1 3/16"	3 5/8"	
	7517FP	3" Flange	3 3/8"	13 1/4"		11 1/8"	8 1/4"	1 1/8"	5"	
	7514FP	2" Flange	2"	7 1/2"	5 1/4"	-	6 1/2"	1 3/16"	3 5/8"	5 1/4"
	7518FP	3" Flange	3 3/8"	11 1/4"	6 1/4"		8 1/4"	1 1/8"	5"	9"

NOTE: Regarding 7505AP through 7510BP — the thread used for assembling the bonnet to the body of the valve is a left hand thread. We advise our customers to be cognizant of this assembly design in attempting to remove the bonnets of these valves in order to avoid serious damage to the valves.

Flange Dimensions

Drawing	Valve Number (A or TA Prefix)	Size	Flange Drilling	D	E	F	H
	7511FP	1 1/2"	7/8" Bolt Holes on a 4 1/2" Bolt Circle Diameter	6 1/8"	1 3/16"	2 7/8"	3/4"
	7513FP	2"	3/4" Bolt Holes on a 5" Bolt Circle Diameter	6 1/2"	7/8"	3 5/8"	1 3/16"
	7514FP						
	7517FP	3"	7/8" Bolt Holes on a 6 5/8" Bolt Circle Diameter	8 1/4"	1 1/8"	5"	1 1/8"
	7518FP						

* Reducing screwed flanges are available for reducing 1 1/2" flange to 1 or 1 1/4" pipe thread and 3" flange to 2 1/2" pipe thread. Order from your local piping supplier.

2" & 3" Globe/Angle valves with Built-in Automatic Back Check HA7513AP/HA7514AP and HA7517AP/HA7518AP

Application

Designed for use in conjunction with our 6588LE and 6589LE low emission filler valves installed on bobtails and transports. The valves are designed to stop flow out of the container when the hand-wheel is closed. They incorporate an automatic integral back check that is designed to allow flow back into the container to prevent liquid from becoming trapped between the 6588/89LE and the closed globe/angle valve.

Features

- V-ring spring loaded pressure stem seal provides for leak-proof operation. No packing to retighten or replace.
- Circular bridge in globe design and a dropped seat in the angle design achieve greater flow with less pressure drop.
- Swivel seat disc assembly minimizes wear which provides for good alignment and long seat life.
- ¼" F.NPT plugged holes on upstream and downstream sides of the valve.
- Heavy duty rolled ACME stem threads provide quick action and long service life.
- Seat Disc assembly incorporates an automatic back check valve, eliminating the need for a separate hydrostatic relief valve.

Materials

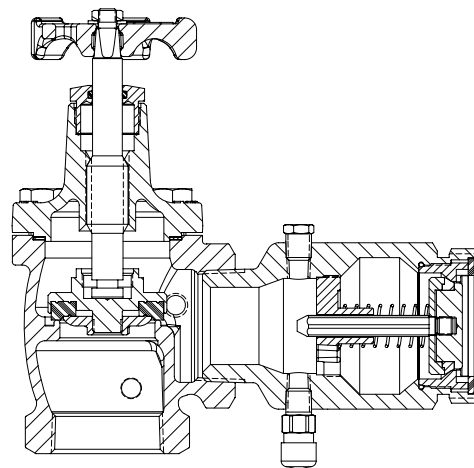
Body Ductile Iron
 Stem Stainless Steel
 Seat Stainless Steel
 Seat Disc Synthetic Rubber
 Return Spring Stainless Steel



HA7513AP



HA7514AP



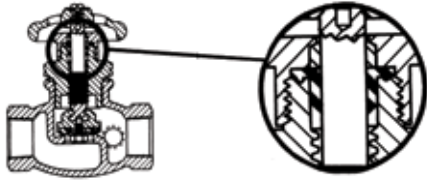
Ordering Information

Part Number		Inlet/Outlet Connection	Port Diameter	Flow at 1 PSIG Pressure drop GPM Propane	
Globe	Angle			Globe	Angle
HA7513AP	HA7514AP	2" -FNPT	2"	75.0	88.5
HA7517AP	HA7518AP	3"-FNPT	3½"	197.0	303.0

Flange Seal Globe and Angle Valve Information

General Information

Globe and Angle Valves, incorporating the synthetic rubber flange seal design, operate on the same principle as the "V"-ring valves. Gas pressure in the valve is exerted against the synthetic rubber flange, forcing it tightly against the stem.



Leak-tight performance is assured and periodic adjustment is not required. The synthetic rubber construction provides smooth operating performance with long service life.

These valves all incorporate a plugged 1/4" NPT side boss on the downstream side of the valve that can be equipped with a hydrostatic relief valve or vent valve.

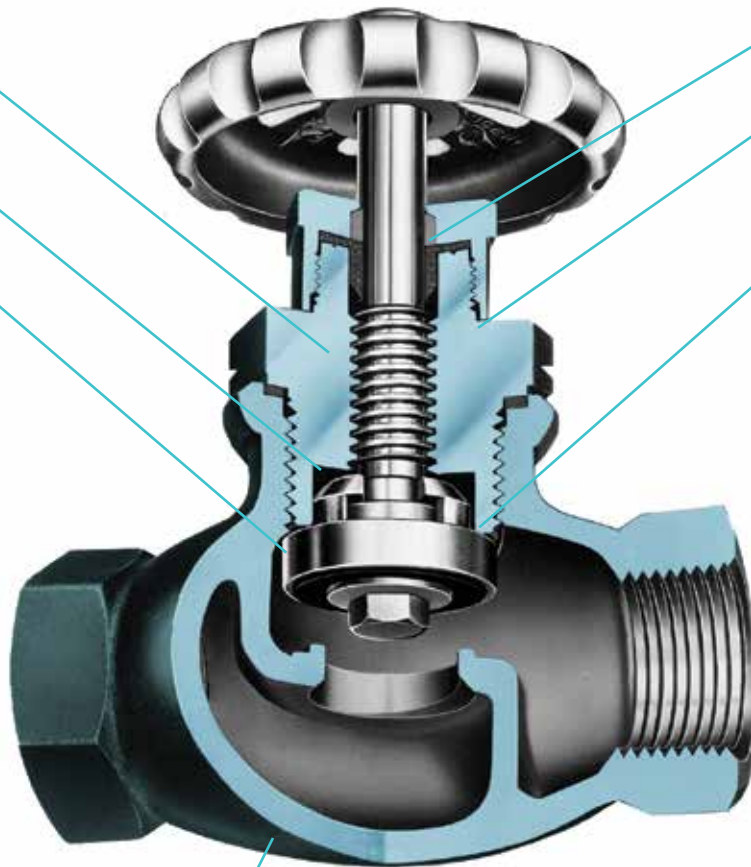
Please be familiar with the "Installation and Operation Note" and "Downstream Accessory Boss" section of the "V"-ring valve design general information before ordering these valves.

General Features

Rugged quick-acting ACME threads on stem. Threads are under flange ring . . . dust, sand and grit can't reach them.

Swivel seat cannot grind during valve opening or closing.

Synthetic Rubber Seat Disc



Nylon bearing surrounds stem to prevent galling.

Rubber flange ring stem seal effectively prevents gas escape. The higher the pressure, the tighter the seal.

Metal to metal back seat permits replacement of flange ring with valve in service.

Valve body made of shell molded ductile iron. Highly resistant to cracking or fracturing from wrenching, dropping or hammer blows. Bonnet and seal cap are steel on "A" prefix valves.

Flange Seal Globe and Angle Valves for Bulk Storage Containers, Filling Hoses and Plant Piping 7704, 7705 and 7706 Series

Application

Designed to ensure positive shut-off and long maintenance-free service life in liquid or vapor service. Ideally suited for use on cylinder charging manifolds, truck filling hoses, bulk storage containers and plant piping.

The high quality construction and wide variety of sizes make them highly suited for use with LP-Gas, anhydrous ammonia and in the chemical and petrochemical industries.

Features

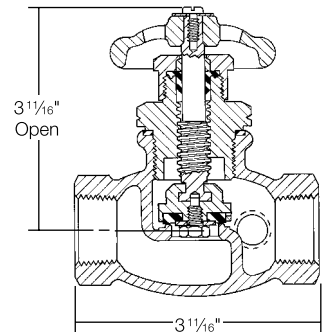
- Available with either a brass bonnet and bronze stem for LP-Gas service or a steel bonnet and stainless steel stem for combined LP-Gas and anhydrous ammonia service.
- Flange seal stem provides for leak-proof operation. No packing to retighten or replace.
- Metal-to-metal back seat permits replacement of the flange ring with the valve in service.
- Plugged 1/4" NPT boss on downstream side of valve accommodates hydrostatic relief valve or vent valve.
- Swivel seat disc minimizes grinding on the body seat and ensures longer service life.
- "Dropped seat" body design of the angle valve provides high flow capacity.
- Temperature range of -40°F to +165°F. (-40°C to +73°C)
- MAWP: 400 PSIG(27 Bar)

Materials

Body	Ductile Iron
Bonnet (7704, 05, 06).....	Brass
Bonnet (A7704, 05, 06).....	Steel
Stem (7704-05-06).....	Bronze
Stem (A7704-05-06).....	Stainless Steel
Flange Ring	Synthetic Rubber
Seat Disc	Synthetic Rubber



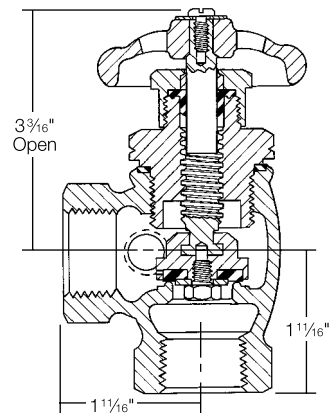
A7704P



**7704 P
A7704 P
7705 P
A7705 P**



7706 P



**7704 LP
A7704 LP
7706 P
A7706 P**



Ordering Information

Part Number		Inlet & Outlet Connection (F. NPT)	Flow at 1 PSIG Pressure Drop (Cv) (GPM/Propane)*		Accessories	
Globe	Angle		Globe	Angle	Hydrostatic Relief Valve	Vent Valve
7704P	7704LP	1/2"	7.3	12.3	SS8001J or SS8001L	TSS3169
A7704P	A7704LP					
7705P	7706P	3/4"	11.5	17.7		
A7705P	A7706P					

* To obtain approximate flow at other than 1 PSIG pressure drop, multiply flow in table by square root of pressure drop. Example: A7704LP @ 9 PSIG = 12.3 x $\sqrt{9}$ = 36.9 GPM/propane. For NH₃ flow, multiply propane flow by .90.

Flange Seal Liquid Transfer Angle Valves for Bulk Storage Containers 7550 and 7551 Series

Application

Designed especially for liquid transfer of LP-Gas from consumer bulk storage containers when used with a Chek-Lok® or equipped with an integral excess flow valve. May also be used for vapor LP-Gas service.

In NH₃ applicator tanks they may be used as a vapor bleeder valve or as a liquid withdrawal valve when installed in a coupling with a dip pipe.

These liquid transfer valves are equipped with an integral excess flow valve for liquid transfer directly from the tank fitting, or without an integral excess flow for LP-Gas transfer through a Check-Lok® valve.

When equipped with an integral excess flow valve (7550PX), the valve should be mounted in a forged steel 3000 lb. half coupling. When mounted in a 1 1/4" x 3/4" NPT reducing coupling, the 3/4" female thread in this coupling must be full length — equivalent to a forged steel 3000 lb. half coupling.

The excess flow valve will not function properly if these specifications are not met. Refer to the Warning Bulletin in the Excess Flow Valve Section of this catalog.

Features

- Flange seal stem design provides for leak-proof operation. No packing to retighten or replace.
- Large, unrestricted interior ports reduce pressure drop through the valve, increasing capacity and preventing cavitation.
- Resilient swivel seat disc ensures longer seat life and easy, positive shut-off.
- Plugged 1/4" NPT outlet boss accommodates hydrostatic relief valve or vent valve.
- Specifically designed for liquid transfer of LP-Gas with the Chek-Lok®.
- Temperature range of -40°F to +165°F. (-40°C to +73°C)
- MAWP: 400 PSIG(27 Bar)

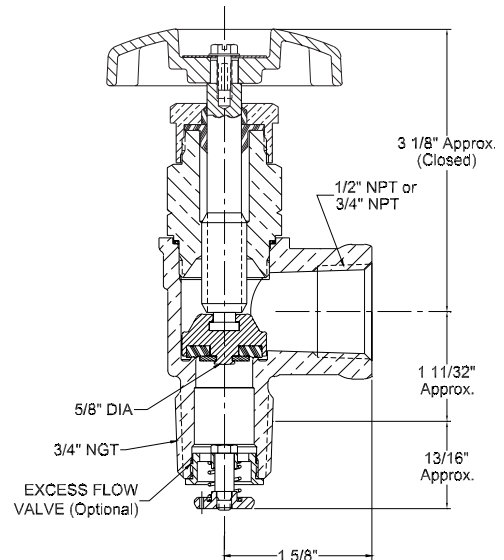
Materials

Body (7550, 51).....	Brass
Body (A7550, 51).....	Cadmium Plated Ductile Iron
Bonnet (7550, 51).....	Brass
Bonnet (A7550, 51).....	Steel
Stem (7550, 51).....	Bronze
Stem (A7550, 51).....	Stainless Steel
Flange Ring.....	Synthetic Rubber
Seat Disc.....	Synthetic Rubber



7550P

7550PX



Ordering Information

Part Number	Inlet Connection (M. NPT)	Outlet Connection (F. NPT)	Integral Excess Flow	Flow at 1 PSIG (Cv) Pressure Drop* (GPM/Propane)	Excess Flow Approximate Closing Flow** (GPM/Propane)	Accessories	
						Hydrostatic Relief Valve	Vent Valve
7550P	3/4"	3/4"	No	13.3	-	3127U	3165
A7550P					SS8001J	TSS3169	
7550PX		1/2"	Yes	-	16.0	3127U	3165
A7550PX					SS8001J	TSS3169	
7551P			No	8.9	-	3127U	3165
A7551P						SS8001J	TSS3169

* To obtain approximate flow at other than 1 PSIG pressure drop, multiply flow in table by square root of pressure drop. Example: 7550P @ 9 PSIG = 13.3 x √9 = 39.9 GPM/propane. For NH₃ flow, multiple propane flow by .90.

** For NH₃ flow, multiply propane flow by .90.

High Capacity Liquid Withdrawal Valves For NH3 A8012 Series

Application

The A8012 Series is designed especially for use as a high capacity liquid withdrawal valve on anhydrous ammonia nurse tanks or risers.

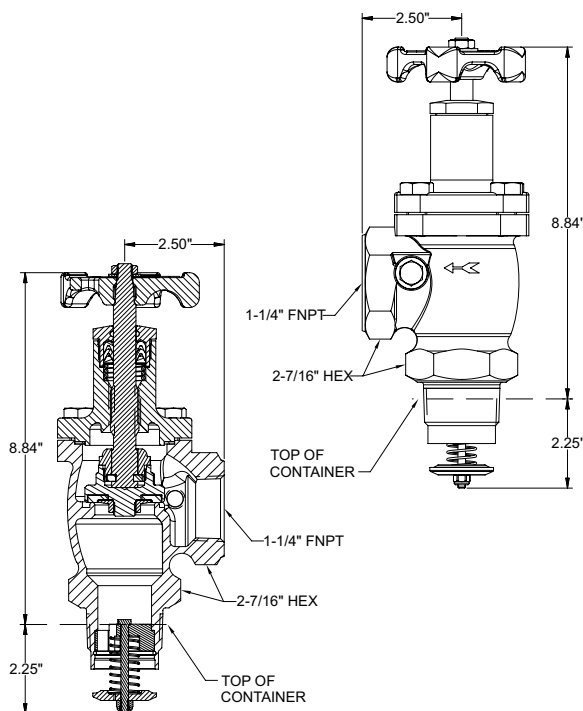
This valve incorporates an integral excess flow valve; when the valve is in operation the handwheel must be completely open and back-seated to allow the excess flow valve to function properly as explained in the excess flow section of our L-500 and L-102 catalogs.

Features

- Excess flow valve designed for high flow and low pressure drop.
- Excess flow seat fully contained in the container coupling for maximum protection in the event of external damage to the valve.
- Resilient disc assembly with swivel seat is fully contained for bubble-tight shut-off and long service life.
- "V"- ring spring loaded stem seal design requires no field adjustment.
- 1/4" F.NPT port that accommodates a vent valve or hydrostatic relief valve.
- UL Listed for LP-Gas and anhydrous ammonia.
- Temperature range of -40°F to +165°F. (-40°C to +73°C)
- MAWP: 400 PSIG(27 Bar)



A8012D



Materials

Body	Ductile Iron
Bonnet	Ductile Iron
Stem	Stainless Steel
Seat Disc	Nitrile
"V" -Rings.....	Teflon
Excess Flow Valve.....	Stainless Steel
Springs	Stainless Steel



Ordering Information

Part Number	Inlet Connection	Outlet Connection	Approximate Closing Flow GPM	Accessories for NH3 Use	
				Hydrostatic Relief Valve	Vent Valve
A8012C	1 1/2" M.NPT	1 1/4" F.NPT	45 GPM NH3*	SS8001J	TSS3169
A8012D			72 GPM NH3*		
A8012E			60 GPM NH3*		

* When installed in a horizontally flowing system.

Multipurpose Valve for Filling of NH3 Containers A8016DBC

Application

Designed specifically for use as a manual filler valve on anhydrous ammonia applicator tanks. This valve incorporates an integral back check valve.



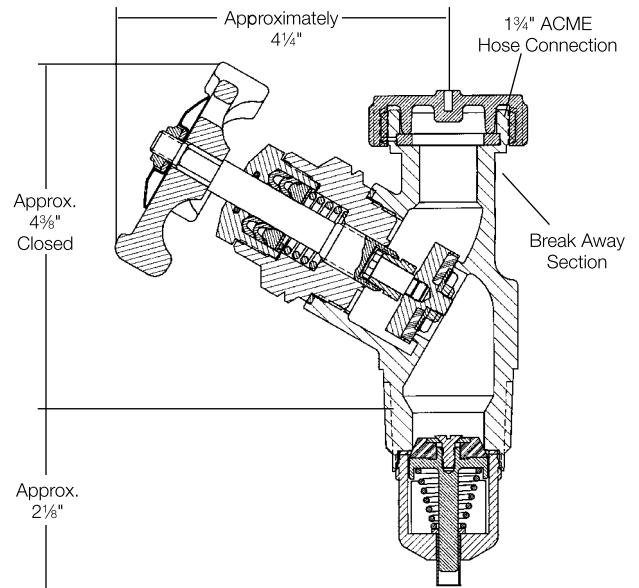
A8016DBC

Features

- Positive seating back check valve opens for maximum flow at minimum pressure drop when filling — regardless of the type of coupling in which the valve is installed.
- Back Check seat is fully contained in the tank coupling for maximum protection in the event of external damage to the valve.
- Resilient seat disc assembly is fully contained on three sides for bubble-tight shut-off and long service life.
- “V”-ring spring-loaded stem seal design requires no repacking or field adjustment.
- Specially machined break-away groove beneath ACME threads will shear-off with excessive pull on the hose and leave the valve body intact.
- Plugged 1/4” NPT boss accommodates vent valve or hydrostatic relief valve.
- Temperature range of -40°F to +165°F. (-40°C to +73°C)
- MAWP: 400 PSIG(27 Bar)

Materials

Body Ductile Iron
 Bonnet Steel
 “V”-Rings Teflon
 Stem Stainless Steel
 Seat Disc Resilient Synthetic Rubber
 Back Check Valve..... Stainless Steel, Steel and Synthetic Rubber
 Springs Stainless Steel



Ordering Information

Part Number	Inlet Connection	Filling Connection	Filling Capacity at 20 PSIG Pressure Drop GPM/NH ₃	Accessories	
				Hydrostatic Relief Valve	Vent Valve
A8016DBC	1 1/4"	1 1/4"	95	SS8001J	TSS3169

Multipurpose Valve for Filling of NH3 Containers A8016DP

Application

Designed specifically for use as a manual valve or vapor equalizing valve on anhydrous ammonia applicator and nurse tanks.

This valve incorporates an integral excess flow valve. When product is required, the valve must be completely open and backseated to allow the excess flow valve to function properly as explained in the excess flow section of this catalog.

Features

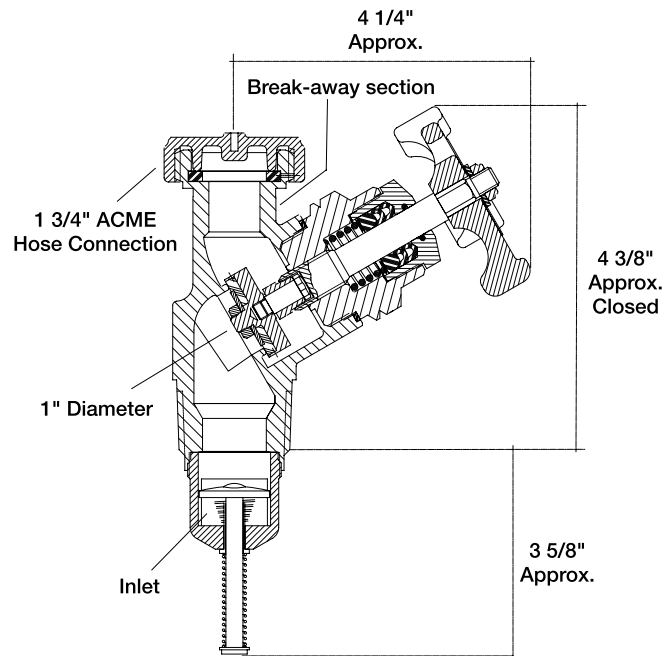
- Positive-acting excess flow valve opens for maximum flow at minimum pressure drop when filling -- regardless of the type of coupling in which the valve is installed.
- Excess flow seat is fully contained in the tank coupling for maximum protection in the event of external damage to the valve.
- Resilient seat disc assembly is fully contained on three sides for bubble-tight shut-off and long service life.
- "V"-ring spring-loaded stem seal design requires no repacking or field adjustment.
- Specially machined break-away groove beneath ACME threads will shear-off with excessive pull on the hose and leave the valve body intact.
- Plugged 1/4" NPT boss accommodates vent valve or hydrostatic relief valve.
- Temperature range of -40°F to +165°F. (-40°C to +73°C)
- MAWP: 400 PSIG(27 Bar)

Materials

Body	Ductile Iron
Bonnet	Steel
"V"-Rings	Teflon
Stem	Stainless Steel
Seat Disc	Resilient Synthetic Rubber
Excess Flow Valve	Stainless Steel--Steel Body
Springs	Stainless Steel



A8016DP



Ordering Information

Part Number	Inlet Connection (M. NPT)	Filling Connection (M. ACME)	Filling Capacity At 20 PSIG Pressure Drop GPM/NH3*	Approximate Excess Flow Closing Flows		Accessories	
				Liquid* GPM/NH3	Vapor** CFH/NH3	Hydrostatic Relief Valve	Vent Valve
A8016DP	1 1/4"	1 3/4"	95	44	24,000	SS8001J	TSS3169

* Determined at 9.5 to 12 PSIG differential.

** Determined at 100 PSIG inlet.

Multipurpose Valves for Liquid Withdrawal of LP-Gas and NH₃ Containers A8017D & A8020D

Application

Designed especially for use as a high capacity liquid withdrawal valve on LP-Gas and anhydrous ammonia containers.

These valves incorporate an integral excess flow valve. When product is required, the valve must be completely open and backseated to allow the excess flow valve to function properly as explained in the excess flow valve section of this catalog.

The A8017DH is equipped with a soft seated automatic differential back pressure check valve in the seat disc assembly. This allows any pressure build up in the liquid transfer line in excess of 10-15 psig above the container pressure to flow back into the container. The transfer hose is protected against excessive liquid or vapor pressure entrapment, which adds materially to the useful life of flexible hose. In addition to increasing hose service life, the equalizing valve adds substantially to the operating safety of liquid transfer systems.

Features

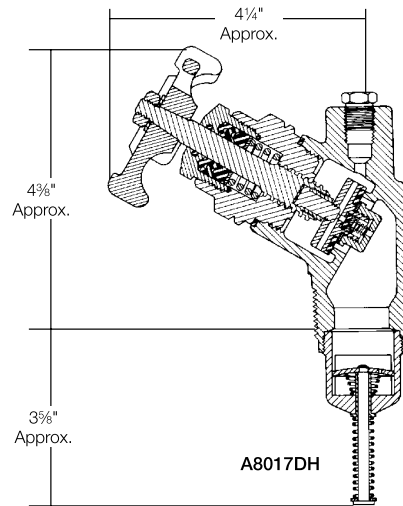
- Positive-acting excess flow valve opens for maximum flow at minimum pressure drop when filling — regardless of the type of coupling in which the valve is installed.
- Excess flow seat is fully contained in the tank coupling for maximum protection in the event of external damage to the valve.
- Resilient seat disc assembly is fully contained on three sides for bubble-tight shut-off and long service life.
- "V"-ring spring loaded stem seal design requires no repacking or field adjustment.
- A8017DH has two plugged 1/4" NPT ports, one on the top and the other on the side, accommodate either a vent valve or hydrostatic relief valve.
- A8020D has a plugged 1/4" NPT port that accommodates vent valve, hydrostatic relief valve, or pressure gauge.
- A8017DH incorporates an automatic back check valve built into the shut-off valve, eliminating the need for a separate hydrostatic relief valve.
- Temperature range of -40°F to +165°F. (-40°C to +73°C)
- MAWP: 400 PSIG(27 Bar)

Materials

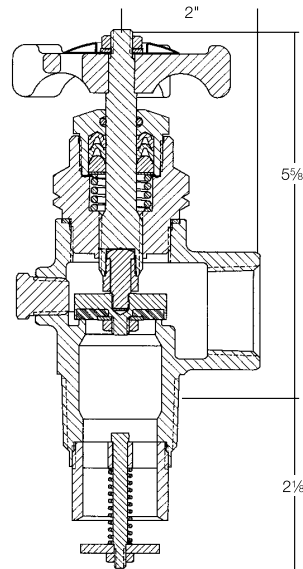
Body	Ductile Iron
Bonnet	Steel
Stem	Stainless Steel
Seat Disc	Resilient Synthetic Rubber
"V"-Rings	Teflon
Excess Flow Valve	Stainless Steel - Steel Body
Springs	Stainless Steel



A8017DP



A8017DH



A8020D



Ordering Information

Part Number	Inlet Connection (M. NPT)	Outlet Connection (F. NPT)	Approximate Excess Flow Liquid Closing Flow** (GPM/Propane)	Accessories	
				Hydrostatic Relief Valve	Vent Valve
A8017DH*	1 1/4"	1"	49	Not Required	TSS3169
A8017DP			55		
A8017DLP		3/4"	49		
A8020D	1 1/4"	1"	78	SS8001J	TSS3169

* Built-in back pressure check valve incorporated into shut-off valve.

** Determined at 11.5 to 13.5 PSIG differential for 3/4" outlet and 9 to 12 PSIG differential for 1" outlet. For NH₃ flow, multiply by .90.

Multipurpose Valve for Filling and Liquid Transfer of NH₃ Containers A8018DP

Application

Designed primarily for use as a combination filler and liquid withdrawal valve on three-opening applicator tanks or on nurse tanks.

This valve incorporates an integral excess flow valve. When product is required, the valve must be completely open and backseated to allow the excess flow valve to function properly as explained in the excess flow valve section of this catalog.

Features

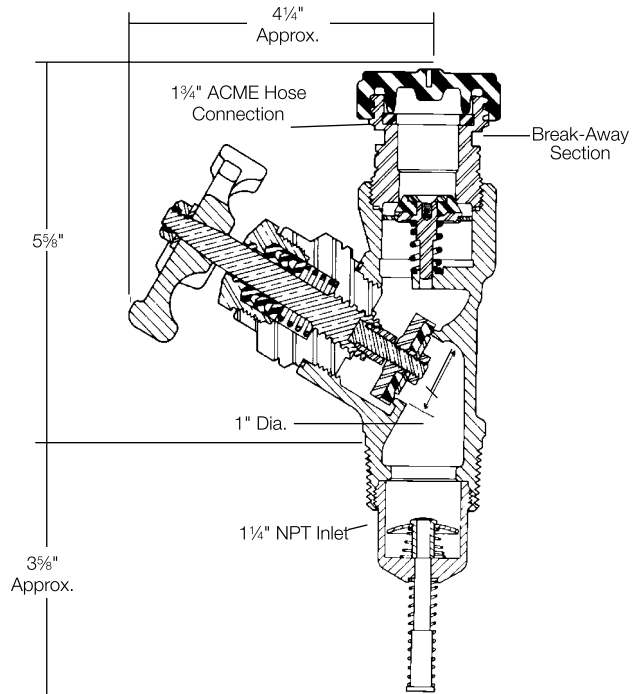
- Functions as both a filler valve and liquid transfer valve, in one unit.
- Positive acting excess flow valve opens for maximum flow at minimum pressure drop when filling — regardless of the type of coupling in which the valve is installed.
- Excess flow seat is fully contained in the tank coupling for maximum protection in the event of external damage to the valve.
- Specially machined break-away groove beneath ACME thread of filler valve will shear-off with excessive pull on the hose and leave the valve body intact.
- Triple guide filler valve check provides for dependable shut-off performance when filling ceases.
- Resilient seat disc assembly is fully contained on three sides for bubble-tight shut-off and long service life.
- "V"-ring spring loaded stem seal design requires no repacking or field adjustment.
- Plugged 1/4" NPT boss accommodates vent valve or hydrostatic relief valve.
- Temperature range of -40°F to +165°F. (-40°C to +73°C)
- MAWP: 400 PSIG(27 Bar)

Materials

Body	Ductile Iron
Bonnet	Steel
Stem	Stainless Steel
Seat Discs	Synthetic Resilient Rubber
"V"-Rings	Teflon
Excess Flow Valve	Stainless Steel - Steel Body
Springs	Stainless Steel



A8018DP



Ordering Information

Part Number	Inlet Connection (M. NPT)	Outlet Connection (F. NPT)	Filling Connection (M.ACME)	Filling Capacity At 20 PSIG Pressure Drop GPM/NH ₃	Approximate Excess Flow Liquid Closing Flow GPM/NH ₃	Accessories	
						Hydrostatic Relief Valve	Vent Valve
A8018DP	1 1/4"	1"	1 1/4"	74	50	SS8001J	TSS3169

* Determined at 9 to 12 PSIG differential.

Multipurpose Filler Bypass Return Valve 8118P and 8117

Application

Designed primarily for use as a Multipurpose valve with combination filler valve and bypass return with manual shutoff valve for the outlet connection of the valve for use on LP-Gas containers.

This valve incorporates an integral excess flow valve. When product is required, the valve must be completely open and back seated to allow the excess flow valve to function properly as explained in the excess flow valve section of the RegO L-102 or L-500 catalogs.

Features

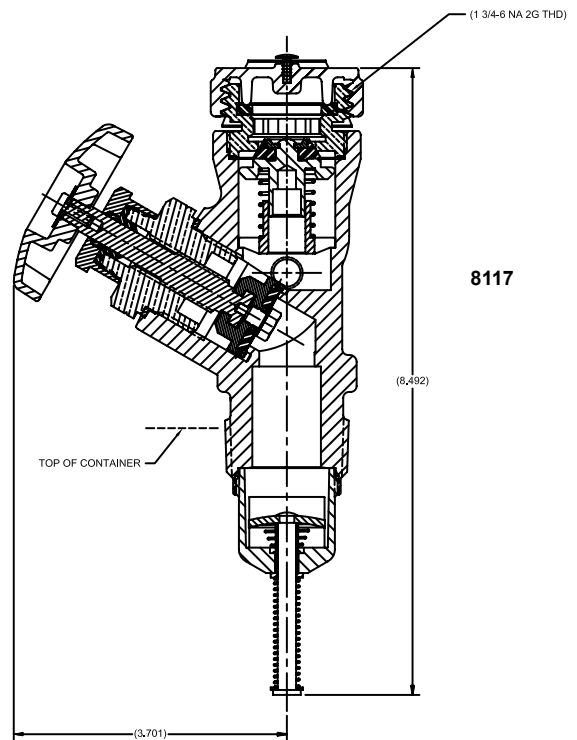
- Designed as a filler valve for LP-Gas with upper check and manual shutoff.
- Excess flow valve allows for maximum filling rates regardless of the length of the coupling the valve is installed in.
- Excess flow seat is fully contained in the tank coupling for maximum protection in the event of external damage to the valve.
- Breakaway groove protects the ACME in the case of a drive-away with the filler hose still connected.
- V-ring spring loaded stem assembly requires no repacking of field adjustment.
- Plugged ¼" NPT boss allows for a pressure gauge to be installed.
- The one-inch outlet port plugged.
- Temperature range of -40°F to +165°F. (-40°C to +73°C)
- MAWP: 250 PSIG(17 Bar)

Materials

Body	Brass
Inlet Connection.....	Brass
Outlet Connection.....	Brass
Spring	Stainless Steel
Seat Disc	Synthetic Rubber
V-rings	Teflon
Excess Flow Valve.....	Stainless Steel



8118P



Ordering Information

Part Number	Container Connection	Outlet Connection	Filler Connection	Plug	Filling Capacity at 20 PSIG Pressure Drop
8117	1 ¼" M.NPT	¾" F. NPT	1 ¼" M.ACME	No	82 GPM
8118P		1" F. NPT		Yes	

NOTE: Not for use as a permanent vapor connection.

Adhesive Warning Labels

903-500

The following warning information, Part Number 903-500, is included with each shipment of Quick-Acting and Tank Car Valves to the first purchaser of the product from the factory.

This information is intended to be forwarded throughout the product distribution chain. Additional copies are available from RegO and Authorized Product Distributors.

Part Number	
903-500	Adhesive Warning Label

DANGER READ THIS FIRST WARNING
LP-GAS IS EXTREMELY FLAMMABLE AND EXPLOSIVE
AVOID SERIOUS INJURY AND PROPERTY DAMAGE. IF YOU SEE, SMELL OR HEAR ESCAPING GAS...EVACUATE AREA IMMEDIATELY! CALL YOUR LOCAL FIRE DEPARTMENT! DO NOT ATTEMPT TO REPAIR. DO NOT STORE IN BUILDING OR ENCLOSED AREA. DO NOT USE ON HOT AIR BALLOONS OR AIRCRAFT.
 Make sure you are thoroughly trained before you attempt any valve installation, maintenance or repair. Improper conditions or procedures can cause accidents resulting in property damage and personal injury.
 Become thoroughly familiar with NPGA Safety Pamphlet 306 "LP-Gas Regulator and Valve Inspections & Maintenance" and RegO Safety Warnings "LP-Gas Cylinder Valves", "LP-Gas Excess Flow Valves", and "LP-Gas Filler and Hose End Filling Valves" found in the cylinder valve, excess flow valve, and filler valve sections of the L-500 & L-102 Catalogs. Follow their recommendations.
 Know and understand NFPA Pamphlet 58 "Liquefied Petroleum Gas Code", which is the law in many states. This publication is available from NFPA, Batterymarch Park, Quincy, MA 02269. Following its requirements is essential in the safe use of LP-Gas. Section 4.4 states: "Persons who transfer liquid LP-Gas, who are employed to transport LP-Gas, or whose primary duties fall within the scope of this code shall be trained in proper handling procedures. Refresher training shall be provided at least every three years and shall be documented."
 Make sure this valve is the proper one for this installation. Avoid misusing LP-Gas equipment.
 Apply thread joint compound compatible with LP-Gas on valve external threads only. Make sure compound never comes into contact with other parts of the valve.
 Install valves by applying force to wrenching flats only.
 Tighten pipe threads approximately 1 to 1½ turns beyond the hand-tight insertion point using a wrench which avoids damage to other valve parts.
 Check for damage and proper operation after valve installation. Check that the valve is clean and free of foreign material.
 Check container-valve connection with a non-corrosive leak detection solution before filling with LP-Gas.
 Purge container before filling with LP-Gas (refer to the RegO LP-Gas Serviceman's Manual for recommended procedure).
 Test excess flow check valve for proper operation before placing into service. See NPGA Bulletin 113 for recommended procedure.
 Check outlet connection make-up for leaks with a non-corrosive leak detection solution when placing into service.
RegO Filler Valves: To prevent damage to the internal checks when it is necessary to utilize an unloading adapter, use ONLY RegO 3115A, 3120 and 3121 Unloading Adapters with RegO Filler Valves. Carefully follow the instructions supplied with these unloading adapters.
 If container is not being placed into service at the present time, insert plug or cap onto the outlet connection. In selecting a label for posting at the installation site, consider RegO part number 901-400 or 903-400 along with your own, NPGAs and others.
 Remember to instruct the owner/user/customer in safety matters concerning LP-Gas and this equipment. See RegO Safety Warnings "LP-Gas Cylinder Valves", "LP-Gas Excess Flow Valves", and "LP-Gas Filler and Hose End Filling Valves" found in the cylinder valve, excess flow valve, and filler valve sections of the L-500 & L-102 Catalogs.
 RegO requests that this information be forwarded to your customers. Additional copies are available from RegO and your authorized RegO Distributor.

REGO Printed in USA 09A-0910-0686
 Part number 903-500
 Elon, N.C. 27244 U.S.A. Phone (336) 449-7707 Fax (336) 449-6594 www.regoproducts.com

903-500

Section F
Excess Flow, Check, Filler
and Vapor Equalizing Valves

F

RegO Limited Express Warranty and Limitation of Liability

10-YEAR LIMITED EXPRESS WARRANTY

NOTICE

Failure to install parts exactly as described in the instructions could result in a product that will not perform properly or satisfactorily. Even if parts are correctly installed, the product might fail to perform properly or satisfactorily if other parts are worn, corroded or dirty. Improper repair can cause leaks and malfunction, which could result in significant bodily injury, including death and/or property damage. Any such use or installation of parts must ONLY be done by experienced and properly trained personnel using accepted governmental and industrial safety procedures. Engineered Controls International, LLC ("RegO") assumes no responsibility or liability for performance of products repaired in the field. It must be clearly understood that the person or organization repairing any product(s) in the field assumes total responsibility for the safe and proper performance of the product.

WARNING

All RegO products are mechanical devices that will eventually become inoperative due to wear, corrosion and aging of components made of materials such as rubber, plastic, etc. The environment and conditions of use will determine the safe service life of these products. Periodic inspection and maintenance are essential to avoid serious injury and property damage. Many RegO products are manufactured components which are incorporated by others on or in other products or systems used for storage, transport, transfer and otherwise for use of toxic, flammable and dangerous liquids and gases. Such substances must be handled by experienced and trained personnel only, using accepted governmental and industrial safety procedures.

LP-Gas is a highly explosive and flammable gas that should never be vented near a possible ignition source.

10-YEAR LIMITED EXPRESS WARRANTY

RegO warrants products and repair kits manufactured by it (other than its Presto-Link and Presto-Tap products) to be free from defects in materials and workmanship under normal use and service for a period of 10 years from the date of manufacture. If within 30 days after buyer's discovery of what buyer believes is a defect, buyer notifies RegO thereof in writing and ships the product (at buyer's expense) to RegO at 100 RegO Drive, Elon, N.C. 27244, RegO, at its option, and within 45 days, will repair, replace F.O.B. point of manufacture, or refund the purchase price of that part or product found by it to be defective. Failure of buyer to give such written notice and return the product within 30 days shall be deemed an absolute and unconditional waiver of any and all claims of buyer arising out of such defect. This limited express warranty does not extend to any product or part that is not installed and used continuously after installation in accordance with RegO's printed instructions, all applicable state and local regulations, and all applicable national standards, such as those promulgated by NFPA, DOT and ANSI. This limited express warranty does not extend to any product or part that has been damaged by accident, misuse, abuse, failure to maintain or neglect, nor does it extend to any product or part which has been modified, altered, disassembled or repaired in the field. This limited express warranty does not cover any cosmetic issues, such as scratches, dents, marring, fading of colors or discoloration.

EXCEPT AS EXPRESSLY SET FORTH ABOVE, AND SUBJECT TO THE LIMITATION OF LIABILITY BELOW, REGO MAKES NO OTHER WARRANTY, AND EXPRESSLY DISCLAIMS, ANY EXPRESS OR IMPLIED WARRANTIES, INCLUDING BUT NOT LIMITED TO THE IMPLIED WARRANTIES OF MERCHANTABILITY AND FITNESS FOR A PARTICULAR PURPOSE AND AGAINST HIDDEN OR LATENT DEFECTS, WITH RESPECT TO ITS PRODUCTS AND PARTS, WHETHER USED ALONE OR IN A COMBINATION WITH OTHERS. REGO DISCLAIMS ALL WARRANTIES NOT STATED HEREIN.

This limited express warranty is given by Engineered Controls International, LLC, of 100 RegO Drive Elon, N.C. 27244 USA, (336) 449-7707.

LIMITATION OF LIABILITY

RegO total liability for any and all losses and damages arising out of any cause whatsoever shall in no event exceed the purchase price of the products or parts in respect of which such a cause arises, whether such cause be based on theories of contract, negligence, strict liability, tort or otherwise. RegO shall not be liable for incidental, consequential or punitive damages or other losses. RegO shall not be liable for, and buyer assumes liability for all personal injury and property damage connected with the handling, transportation, possession, further manufacture, other use or resale of products, whether used alone or in combination with any other products or material. From time to time buyers might call to ask RegO for technical advice based upon limited facts disclosed to RegO. If RegO furnishes technical advice to buyer, whether at buyer's request, with respect to application, further manufacture or other use of the products and parts, RegO shall not be liable for such technical advice provided to buyer by any third party and buyer assumes all risk of such advice and the results thereof.

NOTE:

Some states do not allow the exclusion or limitation of incidental, consequential or punitive damages, so the above limitation or exclusion may not apply to you. This warranty gives you specific legal rights, and you may have other rights that vary from state to state. The portions of this limited express warranty and limitation of liability shall be considered severable and all portions which are not disallowed by applicable law shall remain in full force and effect. The benefits given by the limited express warranty above are in addition to any other rights and remedies to which you may be entitled by law.

NOTE TO AUSTRALIAN PURCHASERS:

The following applies if you purchased this product as a "consumer" as defined in the Australian Consumer Law. Our goods come with guarantees that cannot be excluded under the Australian Consumer Law. You are entitled to a replacement or refund for a major failure and compensation for any other reasonably foreseeable loss or damage. You are also entitled to have the goods repaired or replaced if the goods fail to be of acceptable quality and the failure does not amount to a major failure. Information regarding how to return a product and make a claim under this limited express warranty is set forth below. Nothing in this document purports to modify or exclude your rights if any under the Australian Consumer Law, or other laws which cannot be lawfully be modified or excluded.

NOTICE TO USERS OF PRODUCTS

The limited express warranty stated above is a factory warranty to the first purchasers of RegO products. Since most users have purchased these products from RegO distributors, to make a claim under this limited express warranty the user must, within 30 days after the user's discovery of what the user believes is a defect, notify in writing the distributor from whom he purchased the product or parts, and return the product or parts (at the user's expense) to that distributor. The distributor may or may not at the distributor's option, choose to submit the product or parts to RegO, pursuant to its limited express warranty. Failure by buyer to give such written notice within 30 days shall be deemed an absolute and unconditional waiver of buyer's claim for such defects. Acceptance of any alleged defective product or parts by RegO distributor for replacement or repairs under terms of RegO limited express warranty in no way obligates RegO to the terms of the above warranty. Because of a policy of continuous product improvement, RegO reserves the right to change designs, materials or specification without notice.

Except as expressly set out above, RegO makes no warranties in relation to RegO products and RegO's liability in respect of any allegedly defective product is limited to the cost of replacing or repairing the product.

100 RegO Drive, Elon, N.C. 27244 U.S.A. Phone +1 (336) 449-7707
Fax (336) 449-6594 www.regoproducts.com RegO is a registered trademark of Engineered Controls International, LLC.

Foreword

This catalog describes a complete line of equipment available from RegO® for use with Liquid Propane (LP)-Gas and anhydrous ammonia (NH₃). The following points are important to know for proper use of the catalog:

1. Illustrations and drawings of individual products are representative of “product groups” and all products within a product group are similar in construction.
2. Materials used for construction of products in this catalog are suitable for rated service pressure at temperatures of -40°F to +165°F, unless otherwise specified.
3. Products in this catalog are only intended for use in LP-Gas and/or anhydrous ammonia service as follows.
 - a. “A” or “AA” prefix — Products with this prefix are suitable for NH₃ service (i.e., contain no brass parts).
 - b. “AA” prefix on relief valves — These valves are NOT suitable for use with LP-Gas service. These are of partial aluminum materials and are listed by Underwriters Laboratories (UL) for NH₃ service only.
 - c. All other products including “A” prefix are suitable for use with LP-Gas & NH₃ service.
 - d. “SS” prefix—Hydrostatic relief valve with this prefix are suitable for NH₃ and LP-Gas service (i.e., they have stainless steel materials).
4. We manufacture valves and adapters designed to be used on LP-Gas and Anhydrous Ammonia systems, we do not design systems or consult in system design. For this type of information consult a professional Engineer.

Caution

Do not use any product contained in this catalog with any service commodity other than LP-Gas or NH₃. If you have a need for use of another application, contact RegO, 100 RegO Drive, Elon, NC 27244, (336) 449-7707 ecii@regoproducts.com before proceeding.

Proper application, installation and maintenance of products in this catalog are essential. Users of these products should obtain further information if there are any doubts or questions.

Warning

All RegO products are mechanical devices that will eventually become inoperative due to wear, corrosion and aging of components made of materials such as rubber. The environment and conditions of use will determine the safe service life of these products. Periodic inspection and maintenance are essential to avoid serious injury and property damage.

Many RegO products are manufactured for storage, transport, transfer and use of toxic flammable and dangerous liquids and gases. Such substances should be handled by experienced and trained personnel only, using accepted governmental and industrial safety procedures. Never vent LP-Gas near any possible source of ignition.

Notice

Installation, usage, and maintenance of all RegO products must be in compliance with all RegO instructions as well as requirements and provisions of NFPA #54, NFPA#58, DOT, ANSI, and all applicable federal, state, provincial and local standards, codes, regulations, and laws.

Inspection and maintenance on a periodic basis is essential. Installation and maintenance should be performed only by qualified personnel.

Be sure all instructions are read and understood before installation, operation and service.

Filters

RegO LP-Gas equipment is designed to operate in a system free from contamination. A variety of in-line filters are commercially available to the LP-Gas industry for installation in domestic systems.

The use of an in-line filter should be considered when other system components may be unclean and the system contaminated by rust, scale, dirt, debris or other foreign material.

Safety Warnings



Purpose

In its continuing quest for safety, RegO publishes a series of bulletins explaining the hazards associated with the use, misuse, and aging of LP-Gas valves and regulators. It is hoped that these factual bulletins will make clear to LP-Gas dealer managers and service personnel, that the utmost care and attention must be used in the installation, inspection, and maintenance of these products, or problems could occur which would result in injuries and property damage.

The National Fire Protection Association NFPA 58 Liquefied Petroleum Gas Code - 2024 Edition states in Section 4.4 Qualification of Personnel; "Persons whose duties fall within the scope of this code shall be provided with training that is consistent with the scope of their job activities and that includes proper handling and emergency response procedures... Refresher training shall be provided at least every 3 years, initial and subsequent training shall be documented". These "RegO Safety Warnings" may be useful in training new employees and reminding older employees of hazards that can occur. It is recommended that all employees complete the Propane Education Research Council's Certified Employee Training Program.

Nature of Warnings

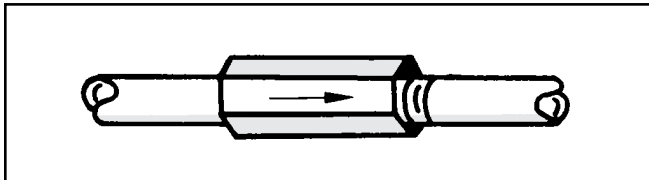
It is recognized that warnings should be as brief as possible, but the factors involved in excess flow valve failures to perform are not simple. They need to be fully understood. If there is a simple warning, it would be:

Make sure that the excess flow valve really closes when the flow exceeds normal transfer flow.

This bulletin is not intended to be an exhaustive treatment of excess flow valves, and certainly does not cover all safety practices that should be followed in installation, operation and maintenance of LP-Gas systems which include excess flow valves.

Selection and Installation

The selection of a given closing rating of an excess flow valve involves an analysis of the complete piping system and is beyond the scope of this bulletin.



It is sufficient to say that an excess flow valve must be installed in the correct direction and will close only if the flow of liquid or vapor exceeds its designed closing rating. Many valves have been installed with closing ratings considerably higher than any flow that could be obtained by a downstream rupture in piping or hoses and thus give none of the protection for which they are intended.

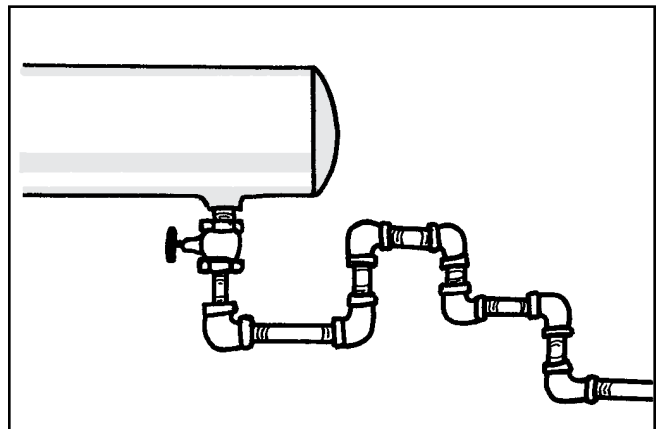
RegO provides excess flow valves with a number of closing ratings. RegO obviously can take no responsibility for the proper selection or correct installation of any valve.

Excess flow valves do not provide complete shut-off because there is a bleed at the check to permit pressure equalization.

Causes of Failure to Close

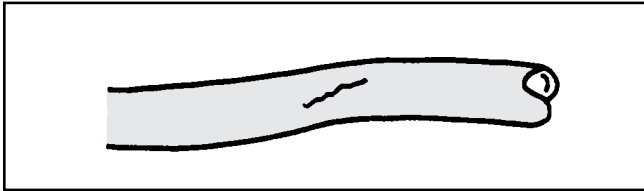
Installers, LP-Gas plant managers and service personnel should be aware that the excess flow valves may not close if these conditions are present.

1. The piping system restrictions (due to pipe length, branches, reduction in pipe size or number of other valves) decrease the flow rate to less than the valve's closing flow.

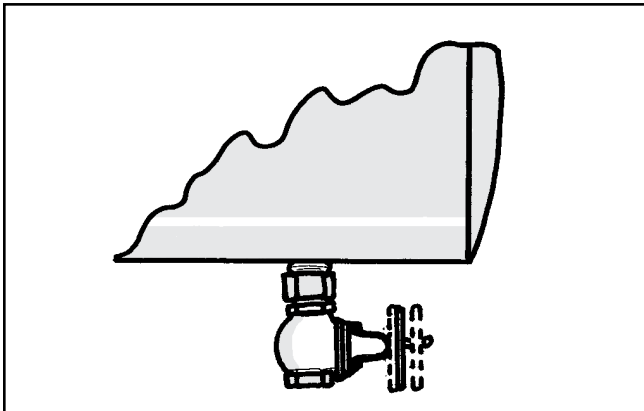


LP-Gas Excess Flow Valves

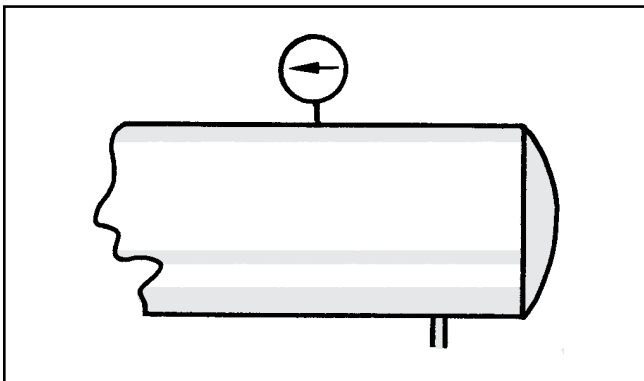
2. The break or damage to the downstream line is not large enough to allow enough flow to close the valve.



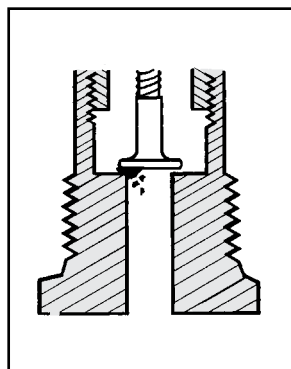
3. A shut-off valve in the line is only partially open and will not allow enough flow to close the excess flow valve.



4. LP-Gas pressure upstream of the excess flow valve, particularly due to low temperature, is not high enough to produce a closing flow rate.



5. Foreign matter (such as welding slag, scale or sludge) is lodged in the valve and prevents closing.



Because of these limitations, it is good industry practice to NOT rely entirely on excess flow valves for protection. Installation of emergency shut-off valves with remote controls is recommended in addition to excess flow valves.

Testing

The National Propane Gas Association Safety Bulletin #113-78 states:

"In order to test an excess flow valve in a piping system, the flow through the valve must be made to exceed the valve's closing rating. This testing should only be attempted by trained personnel familiar with the process. If no one at the facility has experience in proper testing, outside expert help should be obtained. The exact procedure used may vary with the installation, advisability of gas discharge and availability of equipment.

In general, most testing makes use of the fact that excess flow valves are "surge sensitive" and will close quicker under a sudden flow surge than under steady flow. A sufficient surge can often be created by using a quick open/close valve to control sudden, momentary flow into a tank or piping section containing very low pressure. An audible click from the excess flow valve (and corresponding stoppage of flow) indicates its closure.

A test involving venting gas to the atmosphere is hazardous and may be impractical, or illegal.

Any test of any excess flow valve will not prove that the valve will close in an emergency situation, due to reasons cited before. This test will only check the valve's condition, and the flow rate sizing for those test conditions."

General Warning

All RegO products are mechanical devices that will eventually become inoperative due to wear, contaminants, corrosion and aging of components made of materials such as metal and rubber.

The environment and conditions of use will determine the safe service life of these products. Periodic testing at least once a year when tank pressures are low and maintenance, as required, are essential.

Because RegO products have a long and proven record of quality and service, LP-Gas dealers may forget the hazards that can occur because an excess flow valve is used beyond its safe service life. Life of an excess flow valve is determined by the environment in which it "lives". The LP-Gas dealer knows better than anyone what this environment is.

NOTE: There is a developing trend in state legislation and in proposed national legislation to make the owners of products responsible for replacing products before they reach the end of their safe useful life. LP-Gas dealers should be aware of legislation which could effect them.

Troubleshooting Excess Flow Valve Installations

Periodical Inspections for Excess Flow Valves

Excess flow valves should be tested and proven at the time of installation and at periodic intervals not to exceed one year. CAUTION: Testing an excess flow valve in the summer when tank pressures are high will not prove that the same valve will also function under low pressure conditions in the winter. Once a year testing should be conducted during the winter.

The test should include a simulated break in the line by the quick opening of a shut-off valve at the farthest point in the piping that the excess flow valve is intended to protect. If the excess flow valve closes under these conditions, it is reasonable to assume that it will close in the event of accidental breakage (clean break) of the piping at any point closer to the excess flow valve.

The National Propane Gas Association Safety Bulletin Number 113-78 states:

In order to test an excess flow valve in a piping system, the flow through the valve must be made to exceed the valve's closing rating. This testing should only be attempted by trained personnel familiar with the process. If no one at the facility has experience in proper testing, outside expert help should be obtained. The exact procedure used may vary with the installation, advisability of gas discharge and availability of equipment.

In general, most testing makes use of the fact that excess flow valves are "surge sensitive" and will close quicker under sudden flow surge than under steady flow. A sufficient surge can often be created by using a quick open/close valve to control sudden, momentary flow into a tank or piping section containing very low pressure. An audible click from the excess flow valve (and corresponding stoppage of flow) indicates its closure.

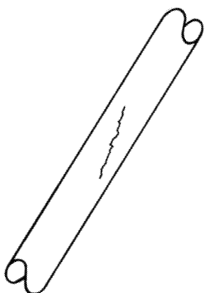
A test involving venting gas to the atmosphere is hazardous and may be impractical or illegal.

Any test of any excess flow valve will not prove that the valve will close in an emergency situation, due to reasons cited before. This test will only check the valve's condition and the flow rate sizing for those test conditions.

What prevents excess flow valves from closing when the line breaks?

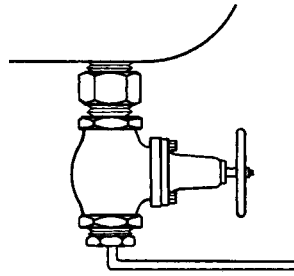
For one or a combination of the following reasons, excess flow valves have been prevented from closing in emergencies:

1. Not a Clean Break



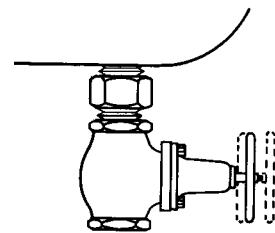
Hoses with a split or tear, and pipe lines not completely severed may be emitting LP-Gas in an amount insufficient to cause an "excess" flow. The amount of LP-Gas which can escape through such breaks may be even less than the flow during normal transfer service and under these conditions the excess flow valve could not be expected to close.

2. Line Restriction Too Great



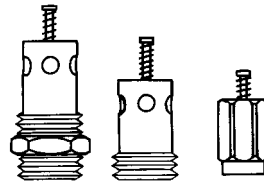
An excess flow valve installed in a tank outlet will not close if the line beyond it is reduced or if the flow is otherwise restricted by too many fittings or too long a run because the line is incapable of passing the amount of LP-Gas necessary to create an "excess" flow. This condition should be corrected when testing a system by simulating a break at the farthest possible point and replacing any restrictive hose, pipe or fittings.

3. Improper Operating Practice



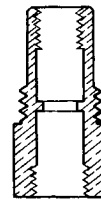
A restriction can also be imposed upon the excess flow valve by an improperly opened valve at the tank outlet. The shut-off valve should be either fully opened or fully closed. If "throttled," the valve could reduce the amount of LP-Gas passing through the excess flow valve in a sufficient amount to keep it from closing. Throttling operations should not be performed in the lines being protected by excess flow valves.

4. Improper Selection



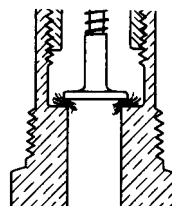
The many types of excess flow valves available are designed for specific jobs. The excess flow valve selected should remain open during normal flow but close at "excess" flow. An inspection which simulates a line break prior to start-up operations will determine if the proper valve has been selected.

5. Tampering with Excess Flow Valves



Sometimes an operator, annoyed with frequent closures of an excess flow valve with too low a rating, has mutilated the valve and forgotten to replace it with a properly rated excess flow valve. A pre-test of the system would reveal this and allow the excess flow valve to be replaced.

6. Impurities in the Line



Dirt, weld slag, broken drill taps, and various other foreign objects have been found jammed between the valve disc and valve seat to prevent excess flow valves from closing. A pre-test of the system would also discover this.

The Limitations of Excess Check Valves for LP-Gas

Excess flow check valves have been of help in limiting gas loss in many incidents involving breakage of hoses and transfer piping. Thus, they do provide a useful safety function in LP-Gas systems. However, there have also been transfer system accidents where excess flow valves have been ineffective in controlling gas loss due to a variety of conditions and to the inherent limitations of these valves. This bulletin explains what protection excess flow valves can offer, points out conditions which can interfere with that protection, and offers suggestions for effective excess flow valve installation.

An excess flow valve is a protective device to help control the discharge of product in the event of complete breakage of pipe lines or hose rupture. However, an excess flow valve can only offer limited protection from gas discharge, because it will only close under those conditions which cause the flow through the valve to exceed its rated closing flow, and even when closed it necessarily allows some "bleed" past the valve.

An excess flow valve is not designed to close and thus may not provide protection, if any of the following conditions are present:

1. The piping system restrictions (due to pipe length, branches, reduction in pipe size, or number of other valves) decrease the flow rate to less than the valve's closing flow. (Valve should be selected by closing flow rating — not just by pipe size).
2. The break or damage to the downstream line is not large enough to allow enough flow to close the valve.
3. A shut-off valve in the line is only partially open and will not allow enough flow to close the excess flow valve.
4. LP-Gas pressure upstream of the excess flow valve, particularly due to low temperature, is not high enough to produce a closing flow rate.
5. Foreign matter (such as welding slag) is lodged in the valve and prevents its closing.
6. A buildup of process material (sludge), which may be found in LP-Gas, may occur over a period of time and cause the valve to stick open.
7. The piping break or damage occurs upstream of an in-line excess flow valve, so the escaping product is not passing through the valve.
8. The flow through the valve is in the wrong direction. (Excess flow valves only respond to flow in one direction.)
9. The excess flow valve has been damaged, or is otherwise not in operating condition.

Because of these limitations of excess flow valves, they should not be relied upon as the only means of controlling the escape of product in the event of piping damage. When possible, shut-off protection by quick closing valves, with shut-off controls accessible in spite of likely line damage, should be provided in addition to, or instead of excess flow valves.

Where excess flow valves are installed, they should be checked to see that:

1. They are installed in the correct direction — the arrow on the valve indicates the shut-off direction.
2. The flow rating on the valve is proper for the installation. The rating must be above the normal system flow, but not higher than necessary to prevent "nuisance" closing in normal conditions. If the manufacturer's catalog information is not sufficient, the valve suppliers can provide sizing assistance.
3. In-line excess flow valves are installed so likely piping damage will occur downstream of the valve and will not separate the valve from the upstream piping.

When the excess flow valves can be examined separate from the line (before the installation or if removed for system maintenance), they should be checked to see that the parts are in good condition and that the poppet can be pushed fully closed.

Testing of Excess Flow Valves

In order to test an excess flow valve in a piping system, the flow through the valve must be made to exceed the valve's closing rating.

This testing should only be attempted by trained personnel familiar with the process. If no one at the facility has experience in proper testing, outside expert help should be obtained. The exact procedure used may vary with the installation, advisability of gas discharge, and availability of equipment.

In general, most testing makes use of the fact that excess flow valves are "surge sensitive" and will close quicker under a sudden flow surge than under steady flow. A sufficient surge can often be created by using a quick-closing valve to control sudden, momentary flow into a tank or piping section containing very low pressure. An audible click from the excess flow valve (and corresponding stoppage of flow) indicates its closure.

A test involving venting gas to the atmosphere is hazardous and may be impractical, or illegal.

Any test of any excess flow valve will not prove that the valve will close in an emergency situation, due to reasons cited before. This test will only check the valve's condition, and the flow rate sizing for those test conditions.

For additional information on excess flow valves and other means of shut-off protection, contact RegO and refer to NFPA 58.

Prepared by
NATIONAL PROPANE GAS ASSOCIATION

The purpose of this bulletin is to set forth general safety practices for the installation, operation, and maintenance of LP-Gas equipment. It is not intended to be an exhaustive treatment of the subject, and should not be interpreted as precluding other procedures which would enhance safe LP-Gas operations. The National Propane Gas Association assumes no liability for reliance on the contents of this bulletin.

Excess Flow Valves

General Information

RegO Excess Flow Valves have been designed, developed, and manufactured for a wide variety of industry needs for more than three decades.

Throughout the years, those concerned with installing and operating bulk plant facilities have looked to RegO products with confidence for reliable, long-lasting valves as required by the National Fire Protection Association (NFPA) Standards 58 and 59, as well as any state, provincial, and local regulations.

It is a responsibility we have not taken lightly. RegO products continue to not only assess the most effective designs, but anticipate and meet the industry's changing requirements. Toward that goal, RegO products include over fifty different types and sizes of excess flow valves (most of which are listed by Underwriters Laboratories) to meet the needs of the LP-Gas and anhydrous ammonia industries.

An Explanation and Warning

An excess flow valve is a spring-loaded check valve which will close only when the flow of fluid through the valve generates sufficient force to overcome the power of the spring holding it open. Each valve has a closing rating in gallons per minute and CFH/air.

The selection of a proper closing rating is critical. It requires a technical understanding of the flow characteristics of the piping system, including restrictions of the piping and other valves and fittings downstream of the excess flow valve.

System designers and operating people must understand why an excess flow valve, which remains open in normal operations, may fail to close when an accident occurs.

Warning: A downstream break in piping or hoses may not result in sufficient flow to close the valve.

How They Work

Excess flow valves permit the flow of liquid or vapor in either direction. This flow is controlled in only one direction (the direction of the arrow stamped on the valve). If the flow in that direction exceeds a predetermined rate (shown in this catalog for each valve), the valve automatically closes.

The valve disc is held in the open position by a spring. When the flow creates a pressure drop across the valve disc that overcomes the preset load on the spring, the valve disc moves to the closed position. It remains closed until the force on both sides of the valve disc are approximately equal (a small bleed hole in the disc of each valve permits equalization), then the spring automatically reopens the valve. When a line is completely broken, the pressure cannot equalize and the excess flow valve remains closed until the line is repaired. Because the bleed hole in each valve disc permits equalization of pressure, excess flow valves do not provide a 100 percent shut-off.

Proper Installation

Since excess flow valves depend on flow in order to close, the line downstream of the excess flow valve should be large enough not to excessively restrict the flow. If the piping is too small, unusually long or restricted by too many elbows, tees and other fittings, consideration should be given to the use of larger size pipe fittings.

An excess flow valve in a pump suction line cannot be expected to close in the case of a clean break in the line beyond the pump, as the pump constitutes too great a restriction, even if running.

Good piping practices dictate the selection of an excess flow valve with a rated closing flow of approximately 50 percent greater than the anticipated normal flow. This is important because valves which have a rated closing flow very close to the normal flow may chatter or slug closed when surges in the line occur during normal operation, or due to the rapid opening of a control valve.

All installations must be in accordance with NFPA Standards 58 and 59, as well as state, provincial and local regulations.

Cotter pin prevents loss of spring retainer due to vibration in service.

Spring retainer.

Stainless steel spring for consistent closing flow, long service life.

Welded for strength.

Precision machining.

Generous flow channels for lowest pressure drop are particularly important in pump suction lines.



Excess Flow Valves for Liquid or Vapor Service 1519C Series

Application

Designed for top mounting in storage tank manhole covers for liquid or vapor applications. The tapped inlet allows for an optional 1" NPT dip pipe connection to withdraw liquid from the top of the tank.

The 1519C4 is designed for installation in long line or branch piping applications.

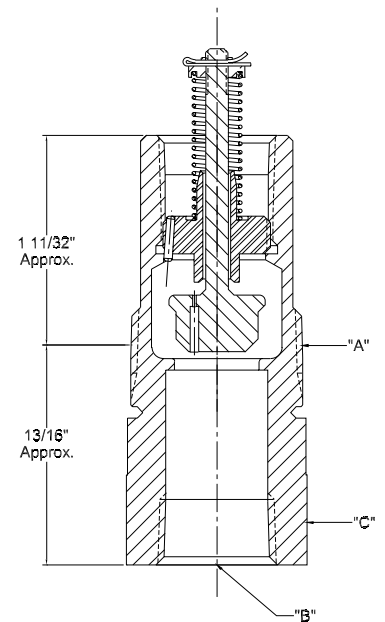
Features

- Precision machined
- Generous flow channels provide low pressure drop.
- Cotter pin prevents loss of spring retainer due to vibration in service.
- Stainless steel spring provides consistent closing flow and long service life.
- Temperature range of -40°F to +165°F. (-40°C to +73°C)
- MAWP: 250 PSIG (17 Bar)

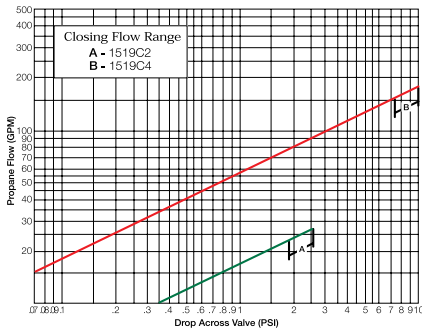
Materials

1519C4

Body Brass
 Valve Disc Cadmium Plated Steel
 Stem Stainless Steel
 Spring Stainless Steel
 Guide Ductile Iron



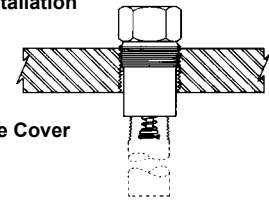
Performance



NOTE: Multiply flow rate by .94 to determine liquid butane flow.



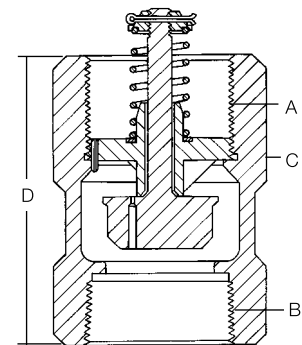
Typical Installation



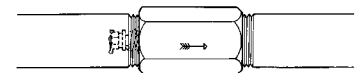
Manhole Cover



1519C4



1519C4



Typical Installation

Ordering Information

Part Number	A Inlet Connection NPT	B Outlet Connection F.NPT	C Wrench Hex Flats	D Effective Length (Approx.)	E Threaded End to Port	Approximate Closing Flows**		
						Liquid (GPM Propane)	Vapor SCFH (Propane)	
							25 PSIG Inlet	100 PSIG Inlet
1519C4	2" Female	2"	3"	4 ⁹ / ₁₆ "	-	170	28,590	48,600

* 1" Female Dip Pipe Connection

** Based on horizontal installation of excess flow valve. Flows are slightly more when valves are installed with outlet up; slightly less when installed with outlet down.
 NOTE: Multiply flow rate by .94 to determine liquid butane flow.

Excess Flow Valves for Liquid or Vapor Line Service

1519A Series, 1519B Series and A1519 Series

Application

Designed for top installation, in any position, in liquid or vapor service lines. They are intended for long lines or branch piping where tank mounted excess flow valves cannot suffice.



Features

- Precision machined.
- Generous flow channels provide low pressure drop.
- Cotter pin prevents loss of spring retainer due to vibration in service.
- Stainless steel spring provides consistent closing flow and long service life.
- Temperature range of -40°F to +165°F. (-40°C to +73°C)
- MAWP: 250 PSIG(17 Bar)

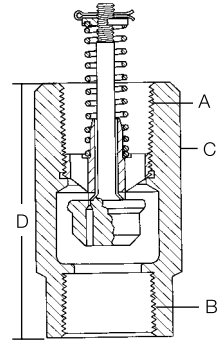
Materials

1519A Series and 1519B Series

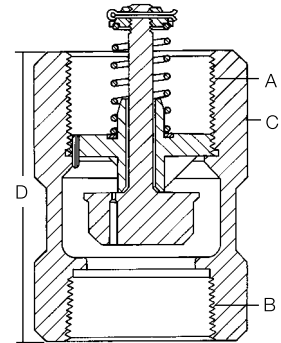
Body Brass
 Valve Poppet w/Stem Brass
 Spring Stainless Steel
 Guide Brass

A1519 Series

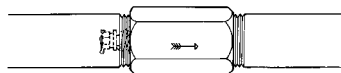
Body Cadmium Plated Steel
 Valve Disc Cadmium Plated Steel
 Stem Stainless Steel
 Spring Stainless Steel
 Guide Ductile Iron



**1519A2, 1519A3, 1519A4, 1519B4,
A1519A2, A1519A4, A1519B4**



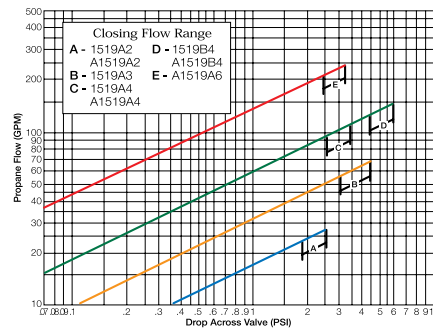
A1519A6



Typical Installation



Performance



NOTE: Multiply flow rate by .94 to determine liquid butane flow and by .90 to determine liquid anhydrous ammonia flow.

Ordering Information

Part Number	Brass or Steel	A Inlet Connection NPT	B Outlet Connection F NPT	C Wrench Hex Flats	D Effective Length (Approx)	Approximate Closing Flows*		
						Liquid (GPM Propane)	Vapor SCFH (Propane)	
							25 PSIG Inlet	100 PSIG Inlet
1519A2	Brass	1"	1"	1 3/4"	3 9/16"	25	5,000	8,800
A1519A2	Steel							
1519A3	Brass	1 1/2"	1 1/2"	2 1/4"	4"	60	11,500	20,200
1519A4								
A1519A4	Steel	2"	2"	3"	4 13/16"	100	19,000	34,500
1519B4	Brass				4 9/16"			
A1519B4	Steel				4 13/16"			
A1519A6		3"	3"	4"	6 27/32"	225	45,000	82,000

* Based on horizontal installation of excess flow valve. Flows are slightly more when valves are installed with outlet up; slightly less when installed with outlet down.

NOTE: Multiply flow rate by .94 to determine liquid butane flow and by .90 to determine liquid anhydrous ammonia flow.

Excess Flow Valves for Liquid or Vapor 3272 Series, 3282 Series, 3292 Series, A3272 Series, A3282 Series, A3292 Series, 7574 and 12472

Application

Designed for liquid or vapor use for filling, withdrawal and vapor equalizing in container or line applications. They are intended for long lines or branch piping where tank-mounted excess flow valves are inadequate.



Features

- Precision machined.
- Generous flow channels provide low pressure drop.
- Stainless steel spring provides consistent closing flow and long service life.
- Temperature range of -40°F to +165°F. (-40°C to +73°C)
- MAWP: 250 PSIG (17 Bar)

Materials

Series 3272, 3282, 3292, 7574, 12472

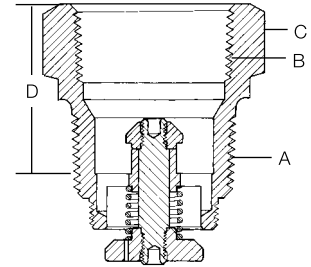
Body	Brass
Seat Disc	Brass
Stem	Brass
Spring	Stainless Steel
Guide (12472 ONLY)	Plastic

Series A3272, A3282, A3292

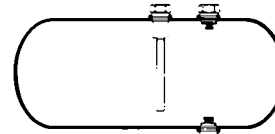
Body	Cadmium Plated Steel
Seat Disc	Cadmium Plated Steel
Stem	Cadmium Plated Steel
Spring	Stainless Steel



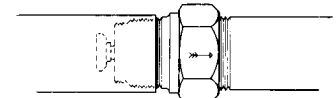
3282A



Typical Installation

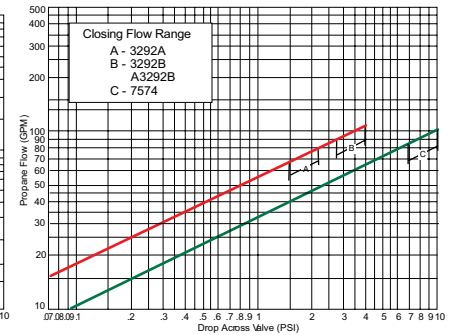
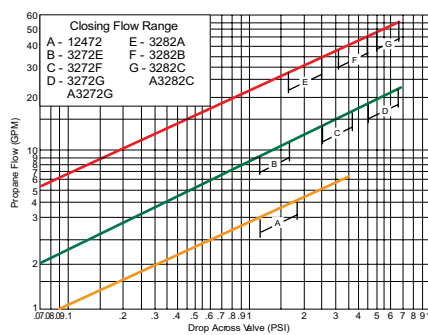


Container Service



Pipe Line Service

Performance



Ordering Information

NOTE: Multiply flow rate by .94 to determine liquid butane flow and by .90 to determine liquid anhydrous ammonia flow.

Part Number	Brass or Steel	A Inlet Connection (M. NPT)	B Outlet Connection (F. NPT)	C Wrench Hex Flats	D Effective Length (Approx.)	Approximate Closing Flow*					
						Liquid (GPM Propane)	Vapor SCFH (Propane)				
							25 PSIG Inlet	100 PSIG Inlet			
12472	Brass	3/4"	3/4"	1 1/8"	1 7/16"	4	1,050	1,700			
3272E					1 1/8"	10	2,100	3,700			
A3272E	1 3/8"				15	2,800	5,000				
3272F	1 5/8"										
A3272F	1 3/8"				20	3,700	6,900				
3272G	1 5/8"										
A3272G	1 3/8"				29	NA	NA				
3272H	1 5/8"										
3282A	Brass				1 1/4"	1 1/4"	2"	1 7/16"	30	5,850	10,000
A3282A**	Steel							40	7,600	13,600	
3282B	Brass	50	9,000	16,300							
3282C		1 5/8"									
A3282C	Steel	90	15,200	28,100							
7574	Brass	1 1/2"	1 1/2"	2 1/4"	1 7/8"	70	14,000	25,000			
7574L											
3292A	Steel	2"	2"	2 1/2"	75	14,200	24,800				
A3292A					3"						
3292B	Brass			2 1/8"	2"	100	18,100	32,700			
A3292B											
A3292C	Steel			3"	2"	122	22,100	37,600			
A3292D**						160	NA	NA			

* Based on horizontal installation of excess flow valve. Flows are slightly more when valves are installed with outlet up; slightly less when installed with outlet down.

**Not UL Listed

Excess Flow Valve for Autogas Dispensing Systems 3272H

Application

Especially designed for high flow/high differential dispensing systems. Can also be used for filling, liquid withdrawal, and vapor equalizing in container or line applications.



Features

- Solid brass construction
- Stainless steel spring
- Meets UL requirements
- Highest flowing valve in the market
- Temperature range of -40°F to +165°F. (-40°C to +73°C)
- MAWP: 250 PSIG(17 Bar)

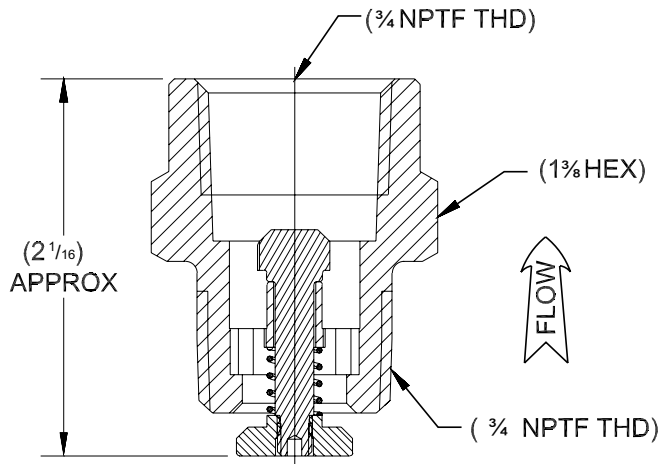
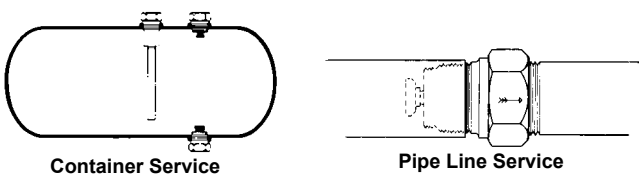
Materials

Body Brass
 Spring Stainless Steel
 Seat Brass



3272H

Typical Installation



Ordering Information

Part Number	Inlet Connection	Outlet Connection	Wrench Hex Flats	Effective Length (Approx.)	Liquid (GPM Propane)
3272H	3/4"	3/4"	1 3/8"	1 3/8"	29

Excess Flow Valves for Container Service

A7537 Series, A7539 Series, A8523 and A8525

Application

Designed for mounting in threaded full or half couplings in container installations. They may be used for filling, withdrawal or vapor equalizing applications. The exceptionally low pressure drop makes them ideal for pump suction lines. If a riser pipe to the vapor space is used with these valves, the minimum inside diameter of the riser pipe must be at least two times the valve thread size in order not to restrict flow to the side inlet ports.

Features

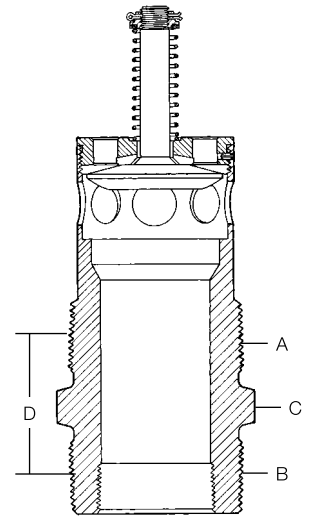
- Precision machined.
- Generous flow channels provide low pressure drop minimizing cavitation in pump suction lines.
- Cotter pin prevents loss of spring retainer due to vibration in service.
- Stainless steel spring provides consistent closing flow and long service life.
- Separate models for installation in either half or full couplings.
- Temperature range of -40°F to +165°F. (-40°C to +73°C)
- MAWP: 250 PSIG(17 Bar)

Materials

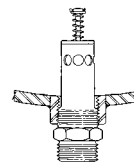
Body	Cadmium Plated Steel
Body (A7539 Series Only)	Ductile Iron
Seat Disc	Cadmium Plated Steel
Stem	Stainless Steel
Spring	Stainless Steel
Guide	Cadmium Plated Steel



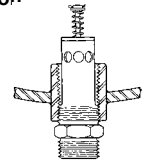
A7537N4



Typical Installation



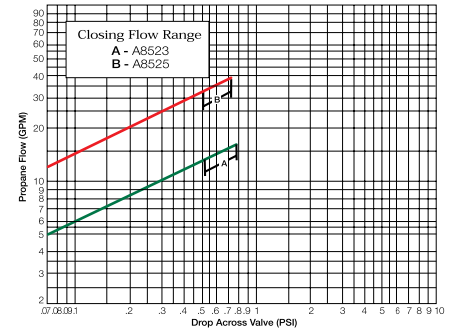
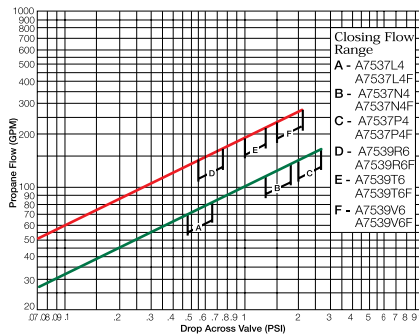
Half Coupling



Full Coupling



Performance



NOTE: Multiply flow rate by .94 to determine liquid butane flow and by .90 to determine liquid anhydrous ammonia flow.

Ordering Information

Part Number	For Use With This Type Coupling	A Inlet Connection M. NPT	B Outlet Connection NPT	C Wrench Hex Flats	D Effective Length (Approx.)	Approximate Closing Flow*		
						Liquid (GPM Propane)	Vapor SCFH (Propane)	
						25 PSIG Inlet	100 PSIG Inlet	
A8523	Half	3/4"	3/4" Male	1 1/8"	1 1/4"	15	5,170	8,800
A8525	Half	1 1/4"	1 1/4" Male	1 1/4"	2 1/8"	35	12,540	21,560
A7537L4	Half	2"	2" Male and 1 1/4" Female	2 5/8"	2 1/2"	75	13,000	25,600
A7537L4F	Full					125	25,000	42,500
A7537N4	Half					150	30,500	52,000
A7537N4F	Full					150	32,100	55,500
A7537P4	Half					200	39,400	68,300
A7537P4F	Full					250	51,100	88,700
A7539R6	Half	3"	3" Male and 2" Female	3 3/4"	3 1/8"	150	32,100	55,500
A7539R6F	Full					200	39,400	68,300
A7539T6	Half					250	51,100	88,700
A7539T6F	Full							
A7539V6	Half							
A7539V6F	Full							

* Based on horizontal installation of excess flow valve. Flows are slightly more when valves are installed with outlet up; slightly less when installed with outlet down.

Excess Flow Valves for Vapor or Liquid A2137 Series and 2139 Series

Application

Designed especially for filling, withdrawing or vapor equalizing in half and full coupling installations. Ideal for container service where welded-in dip pipes are not provided. For vapor use, mount in the bottom opening with a threaded dip pipe. For liquid use, mount in the top opening with a threaded dip pipe. These may also be installed in pipe lines provided the connection is made to the male inlet thread and not the female dip pipe connection.

Features

- Precision machined.
- Cotter pin helps prevent loss of spring retainer due to vibration in service.
- Stainless steel spring provides consistent closing flow and long service life.
- Generous flow channels provide low pressure drop.
- Temperature range of -40°F to +165°F. (-40°C to +73°C)
- MAWP: 250 PSIG(17 Bar)

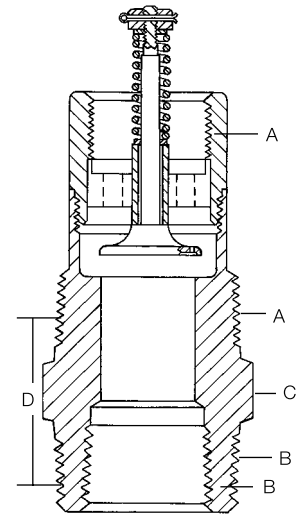
Materials

A2137 Series

Body Cadmium Plated Steel
 Disc..... Cadmium Plated Steel
 Stem Stainless Steel
 Spring Stainless Steel
 Guide Cadmium Plated Steel

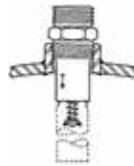
2139 Series

Body Brass
 Disc..... Brass
 Stem Stainless Steel
 Spring Stainless Steel
 Guide Brass



A2137

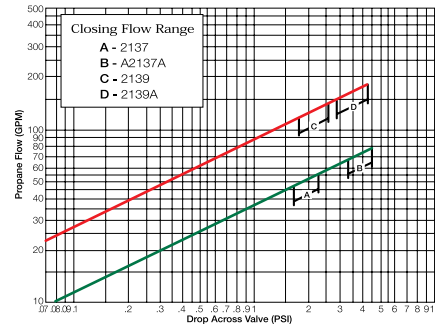
Typical Installations



Container Service

Pipe Line Service

Performance



NOTE: Multiply flow rate by .94 to determine liquid butane flow and by .90 to determine liquid anhydrous ammonia flow.

Ordering Information

Part Number	A Inlet Connection NPT	B Outlet Connection F. NPT	C Wrench Hex Flats	D Effective Length (Approx.)	Approximate Closing Flows***		
					Liquid (GPM Propane)	Vapor SCFH (Propane)	
						25 PSIG Inlet	100 PSIG Inlet
A2137	2**	2" Male and 1 1/4" Female	2 7/16"	1 1/8"	50	10,000	17,000
A2137A					70	14,000	25,000
2139	3***	3" Male and 2" Female	3 1/2"	1 3/4"	125	26,500	46,000
2139A					160	32,700	57,200

* 1 1/4" F. NPT Dip Pipe Connection

** 2" F. NPT Dip Pipe Connection

*** Based on horizontal installation of excess flow valve. Flows are slightly more when valves are installed with outlet up; slightly less when installed with outlet down.

Excess Flow Valves for Flange Mounting in Container Service

A3500 Series and A4500 Series

Application

Designed for mounting in flanged tank connections with internal threads in the bottom of a container. They may be used in filling, withdrawal or vapor equalizing application. They provide high flow capacity with low pressure drop to minimize pump inlet line cavitation.

If a riser pipe to the vapor space is used with these excess flow valves, the minimum inside diameter of the riser pipe must be at least two times the valve thread size in order not to restrict flow to the side inlet ports.

Flange mounted excess flow valves are readily accessible for servicing and completely enclosed and protected in event of fire. Because there is no direct connection between external piping and the valve, stresses imposed on piping will not affect the excess flow valve.

Features

- Precision machined.
- Generous flow channels provide low pressure drop minimizing cavitation in pump suction lines.
- Cotter pin prevents loss of spring retainer due to vibration in service.
- Stainless steel spring provides consistent closing flow and long service life.
- Temperature range of -40°F to +165°F. (-40°C to +73°C)
- MAWP: 250 PSIG (17 Bar)

Materials

Body Cadmium Plated Steel
 Seat Disc Cadmium Plated Steel
 Stem Stainless Steel
 Spring Stainless Steel
 Guide Cadmium Plated Steel

Flanged Installation In Container

NOTE: The opening in the tank flange should be machined with a ¼"-45° chamfer at the outer edge. The thread should be tapped one or two turns large as checked by a plug gauge. This and the undersize thread on the valve should permit the valve to be installed so that its outer face is at least flush with the outer edge of the flange.

The valve is screwed into this opening by fitting a ¼" flat metal piece into the slot and turning until hand tight. A lubricant may be used, but a luting compound is not necessary since this joint does not have to be gas tight.

If any difficulty is experienced in "making up" the valve to fit flush, as indicated, the thread in the tank flange can be tapped.

Design and construction of tank and flange must be in accordance with the appropriate section of the ASME Pressure Vessel Code.

Ordering Information

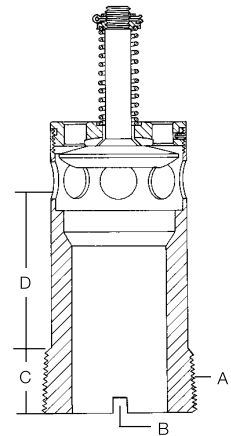
Part Number	A Inlet Connection NPT	B For Installation	C Effective Thread (Approx.)	D Threaded End To Port	Approximate Closing Flows*			
					Liquid (GPM Propane)	Vapor SCFH (Propane)		Liquid (GPM NH3)
						25 PSIG Inlet	100 PSIG Inlet	
A3500L4	2"	Slotted Body	¾"	1 15/16"	75	13,000	22,500	70
A3500N4					125	25,000	42,500	115
A3500P4					150	30,500	52,000	135
A3500R6	3"		1"	1 1/8"	150	32,100	55,500	135
A3500T6					200	39,400	68,300	180
A3500V6					250	51,100	88,700	225
A4500Y8	4"		1 1/8"	1 1/8"	500	89,000	154,000	450

NOTE: Multiply flow rate by .94 to determine liquid butane flow and by .90 to determine liquid anhydrous ammonia flow.

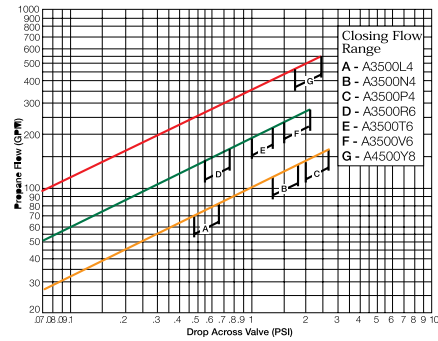
* Based on horizontal installation of excess flow valve. Flows are slightly more when valves are installed with outlet up; slightly less when installed with outlet down.



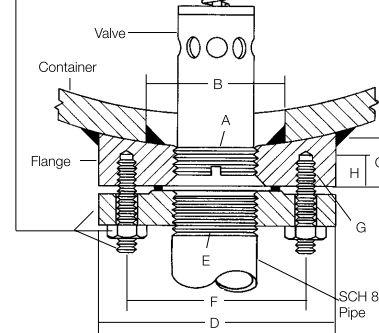
A3500L4



Performance



Specifications for companion flanges, gaskets, bolts and nuts must meet the appropriate codes, such as ASA B16.5.



Key No.	Description	A3400L4, A3500L4, A3500N4, A3500P4	A3400L6, A3500R6, A3500T6, A3500V6	A4500Y8
A	Valve Size (NPT)	2"	3"	4"
B	Tank Opening	3 1/2"	4 1/2"	5 1/2"
C	Thickness (min.)	1"	1 1/4"	1 3/8"
D	Outside Diameter	6 1/2"	8 1/4"	10"
E	Pipe Thread (NPT)	2"	3"	4"
F	Bolt Circle Dia.	5"	6 5/8"	7 7/8"
	Number of Bolt Holes	8	8	8
G	Bolt Hole Thread	5/8" - 11 NC - 2	3/4" - 10 NC - 2	3/4" - 10 NC - 2
H	Bolt Hole Thread (min. eff.)	3/4"	1"	1 1/8"

Excess Flow Valves for Liquid or Vapor Withdrawal 2723C and A8013D Series

Application

These valves are designed for bottom mounting in consumer storage tanks for liquid service. They may also be top mounted for vapor service. These valves are designed especially for use with RegO globe and angle valves.

Features

- 2723C provides a 3/4" dip pipe inlet connection for top-mounted liquid or bottom-mounted vapor requirements.
- A8013D Series features a 2-position floating valve disc for faster, more efficient container filing.
- Precision machined.
- Stainless steel spring provides consistent closing flow and long service life.
- Generous flow channels provide low pressure drop.
- Temperature range of -40°F to +165°F. (-40°C to +73°C)
- MAWP: 250 PSIG(17 Bar)

Materials

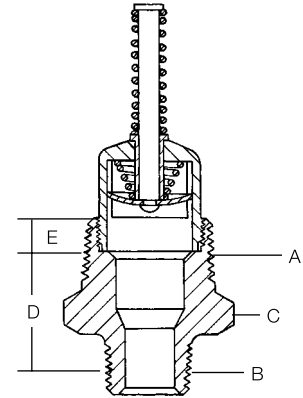
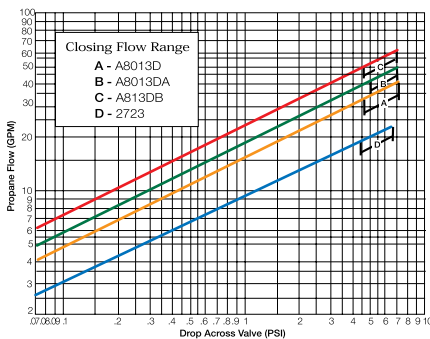
A8013D Series

Body Cadmium Plated Steel
 Disc Stainless Steel
 Stem Stainless Steel
 Spring Stainless Steel
 Guide Cadmium Plated Steel
 Insert Stainless Steel

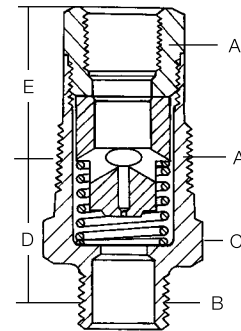
2723C

Body Brass
 Valve Poppet Brass
 Retainer Brass
 Spring Stainless Steel

Performance

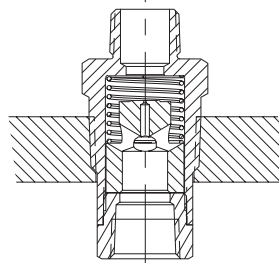


A8013D



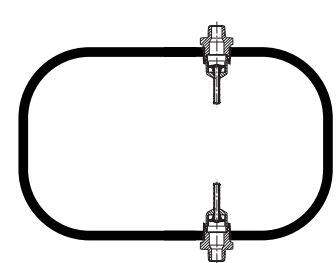
2723C

Typical Installation



2723C

Container Service



A8013D

Ordering Information

Part Number	A. Inlet Connection M. NPT	B. Outlet Connection NPT	C. Wrench Hex Flats	D. Effective Length (Approx.)	E. Threaded End To Port	Approximate Closing Flow**		
						Liquid (GPM Propane)	Vapor SCFH (Propane)	
							25 PSIG Inlet	100 PSIG Inlet
A8013D	1 1/4"	3/4"	1 3/4"	1 3/2"	-	39	8,700	14,700
A8013DA		1"		1 3/16"		44		
A8013DB		1 1/4"		1 7/32"		55		
2723C	1 1/4"	3/4"	1 1/16"	1 5/16"	1 15/16"	20	3,900	6,900

* 3/4" F. NPT Dip Pipe Connection

** Based on horizontal installation of excess flow valve. Flows are slightly more when valves are installed with outlet up; slightly less when installed with outlet down.

NOTE: Multiply flow rate by .94 to determine liquid butane flow and by .90 to determine liquid anhydrous ammonia flow.

Excess Flow Valve for Pressure Gauges 2884D

Application

Designed for container use in pressure gauge installations to minimize excess gas discharge in the event the pressure gauge is sheared. A suitable shut-off valve should be installed between this valve and the pressure gauge to allow convenient gauge replacement.

Features

- Precision machined.
- Suitable for use with all 1/4" M.NPT pressure gauges.
- Temperature range of -40°F to +165°F. (-40°C to +73°C)
- MAWP: 250 PSIG(17 Bar)

Materials

Body Brass
 Valve Brass
 Spring Stainless Steel
 Pin Stainless Steel

Ordering Information

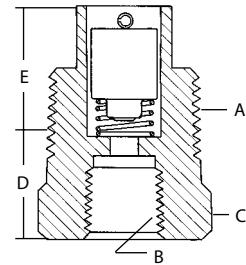
Part Number	A. Inlet Connection M. NPT	B. Outlet Connection F. NPT	C. Wrench Hex Flats	D. Effective Length (Approx.)	E. Threaded End To Port	Approximate Closing Flow*		
						Liquid (GPM Propane)	Vapor SCFH (Propane)	
						25 PSIG Inlet	100 PSIG Inlet	
2884D	3/4"	1/4"	1 1/16"	1 1/16"	1 5/16"	N/A	60	110

* Based on horizontal installation of excess flow valve. Flows are slightly more when valves are installed with outlet up; slightly less when installed with outlet down.

NOTE: Multiply flow rate by .94 to determine liquid butane flow.



2884D



Excess Flow Valve for DOT Cylinders 3199W

Application

Designed for use on portable systems with vapor or liquid including torches, heaters, lead melting burners, tar and asphalt burners, wallpaper steamers and other applications involving portable DOT cylinders. The POL inlet attaches directly to the cylinder valve and the outlet mounts to the regulator.

Features

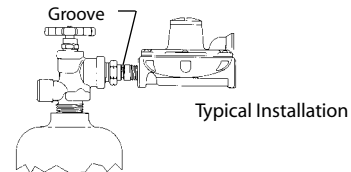
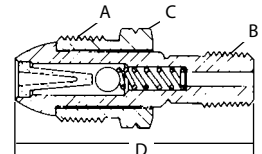
- Integral ball check design.
- Machined groove designed to break-off and allow excess flow valve ball to close.
- Temperature range of -40°F to +165°F. (-40°C to +73°C)
- MAWP: 250 PSIG(17 Bar)

Materials

Body Brass
 Nut Brass
 Bell Stainless Steel
 Spring Stainless Steel
 Retainer Spring Stainless Steel
 Retainer Brass



3199W



Typical Installation

NOTE:

No protection is afforded should break-off occur downstream of the groove. Also, restrictions introduced by the regulator may prevent closing of the valve due to limited flow capacity. The valve's purpose is to protect the cylinder valve outlet should the regulator be broken off of its connection (at the groove), in which case it will close. It must not be depended upon to protect against breaks downstream of the regulator.



Ordering Information

Part Number	A. Inlet Connection	B. Outlet Connection	C. Wrench Hex Flats	D. Effective Length (Approx.)	Approximate Closing Flow*	
					Liquid (GPM Propane)	Vapor SCFH (Propane)
						100 PSIG Inlet
3199W	Male POL	1/4"	7/8"	2 1/16"	.95	575

* Based on horizontal installation of excess flow valve. Flows are slightly more when valves are installed with outlet up; slightly less when installed with outlet down.

NOTE: Multiply flow rate by .94 to determine liquid butane flow.

Chek-Lok® Excess Flow Valves

Designed to provide a convenient means of withdrawing liquid from stationary containers prior to moving the container.

NFPA Pamphlet 58 standards require: 1) containers with 125 gallons water capacity, or more, have a connection for liquid evacuation which is at least 3/4" NPT, and 2) containers designed for stationary use, have no more propane than 5% of their water capacity in liquid form during transportation. These rules apply to containers manufactured after July 1, 1961.

Chek-Lok® Operation

Instructions to Open Chek-Lok®

- 1 Loosen cap to vent any accumulated LP-Gas from the Chek-Lok. After venting stops, remove the cap. If venting does not stop, retighten the cap and use other approved means to withdraw liquid from the container.

NOTE: Use a suitable size wrench when removing the cap and adapter from the Chek-Lok. Do not allow the Chek-Lok to un-thread from the tank during removal. When necessary, use a second wrench to secure the Chek-Lok in position.

- 2 Before beginning withdrawal, securely connect a RegO 7550P angle valve or suitable shut-off valve to the adapter. Fully open the shut-off valve – the valve's handwheel must be fully opened before connecting adapter to tank.
- 3 Completely thread the adapter and shut-off valve assembly onto the Chek-Lok by turning adapter's coupling nut clockwise until it is tight. Immediately close the shut-off valve. Listen for an audible click to signal that the Chek-Lok has opened and is actuated for liquid withdrawal. The flow can now be controlled by the transfer valve.

- 4 Check the coupling nut and adapter assembly for leaks using a suitable leak detection solution.

If the Chek-Lok fails to open after following this procedure, the pressure downstream of the shut-off valve should be increased to equalize pressure in the Chek-Lok. It is simple to equalize pressures using vapor from either the vapor return valve or service valve, or from a hose end valve connected to the delivery truck.

Instructions to Close Chek-Lok®

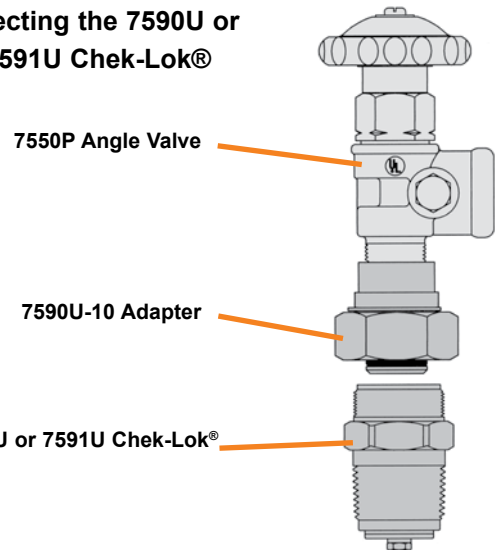
- 1 To re-lock the Chek-Lok, container pressure must be in excess of 35 PSIG. Close shut-off valve and disconnect the hose or piping.
- 2 Open shut-off valve fully. Liquid discharging to the atmosphere should cause the excess flow feature of the Chek-Lok to close, provided tank pressure is 35 PSIG or more.

If, for any reason, the excess flow valve does not close, the shut-off valve must be closed immediately and must not be removed until the system can be evacuated and the unit repaired.

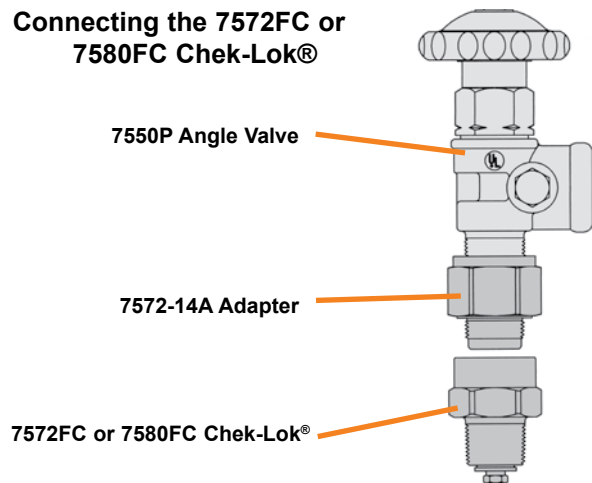
- 3 After the excess flow valve closes, remove the Adapter and Shut-Off Valve Assembly.
- 4 Clean face of Chek-Lok and install the Cap with a gasket. IMPORTANT: Only use the proper Chek-Lok Cap. Do not use a standard pipe cap.

The Chek-Lok® permits one transfer shut-off valve with an adapter to be used interchangeably on a number of tanks. With a Chek-Lok® on each tank and a high capacity RegO 7550P Series transfer valve and adapter on all your service and delivery trucks – the need for individual transfer valves is eliminated. This provides a substantial savings without sacrificing safety.

Connecting the 7590U or 7591U Chek-Lok®



Connecting the 7572FC or 7580FC Chek-Lok®

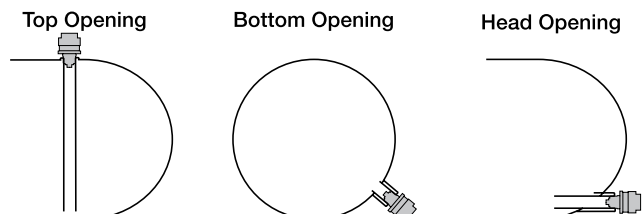


In the absence of a 7550P transfer valve, a 3/4" A7505A Globe Valve or A7506AP Angle Valve may be used. Follow the above procedures using the 7572C-15A adapter instead of the 7572C-14A. Use a RegO 7550P without an adapter in an emergency only.

CAUTION: Always wear approved protective gloves when working with the Chek-Lok®. Do not vent LP-Gas near possible source of ignition.

Chek-Lok® Mounting

Chek-Lok® Valves may be either top mounted with a dip tube or bottom mounted. For bottom mounting, it is preferable to position the coupling in the head or slightly off of the bottom. This helps prevent the accumulation of sludge, etc. around the valve which could affect the proper operation of the excess flow valve.



Chek-Lok® Excess Flow Valves

7590U and 7591U Series

Application

Chek-Lok® Excess Flow Valves are designed to provide a convenient means of withdrawing liquid from stationary containers prior to moving the container. The Chek-Lok® permits one transfer shut-off valve with an adapter to be used interchangeably on a number of tanks.

The 7590U and 7591U Chek-Loks® are also designed for use on permanent installations provided the excess flow valve is sized properly for the system and piping. The Chek-Lok® contains a weak section underneath the outlet threads to protect the container from a pull away incident. Any undue stress could cause this weak section to shear unintentionally if not properly supported and installed. NOTE: In some cases, it may be necessary to use an in-line excess flow valve to protect the downstream piping. This valve is not recommended for use as a liquid source for pumps.

Features

- Extra strength connection between body and adapter provides increased strength.
- Weep hole in cap provides indicator to verify Chek-Lok® is closed before cap removal.
- Heavy duty brass cap requires at least 3½" full turns for removal.
- O-ring seal on adapter provides a gas tight seal before the adapter opens the equalizing stem.
- Eliminates need for individual transfer valves at each container.
- UL listed.
- Temperature range of -40°F to +165°F. (-40°C to +73°C)
- MAWP: 250 PSIG(17 Bar)

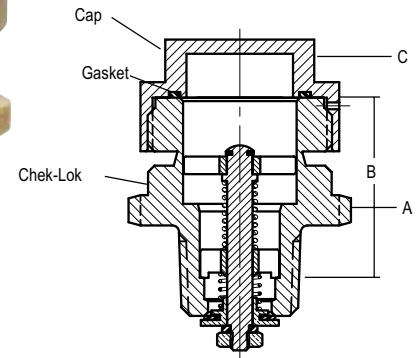
Ordering Information

Chek-Lok® Number	Inlet Connection	Outlet Connection	A. Body Wrench Hex Flats	B. Approximate Effective Length	C. Cap Wrench Hex Flats	Approximate Closing Flow, Liquid GPM (Propane)*
7590U	¾" M. NPT	1½" UNF	1¾"	1¼"	1¼"	20
7591U	1¼" M. NPT		1¾"	1½"		35

* Based on horizontal installation of excess flow valve. Flows are slightly more when valves are installed with outlet up, and slightly less when installed with outlet down. Note: Multiply flow rate by .94 to determine liquid butane flow.



7590U with Cap



Materials

Body	Brass
Stem	Brass
Spring	Stainless Steel
Seals	Synthetic Rubber
Valve Poppet	Brass
Gasket	Nylon

Chek-Lok® Liquid Evacuation Adapter for 7590U and 7591U Valves

7590U-20

Application

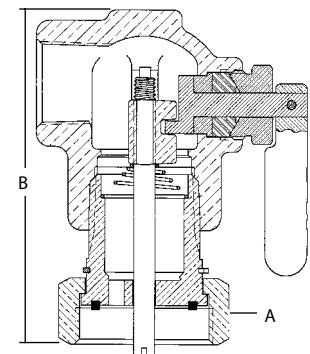
Designed specifically for use with RegO 7590U and 7591U Chek-Lok® Excess Flow Valves. Adapter's operating handle opens and closes equalizing stem in the Chek-Lok® valve. Eliminates gas flow through Chek-Lok® valve when installing or removing adapter. Use of RegO adapter ensures proper connections and opening of the check mechanism.

Features

- Built in nylon gasket provides a gas tight seal.
- Adapter can be installed without depressing the equalizing stem of the Chek-Lok®.
- Design eliminates the need to slug excess flow feature of Chek-Lok® when removing the adapter.
- Built in bleeder valve allows controlled discharge of liquid before removing the adapter.



7590U-20



Ordering Information

Adapter Number	Inlet Connection	Outlet Connection	A Wrench Hex Flats	B Approximate Length
7590U-20	1½-12 UNF	¾"	1¾"	4¾"

7580F-20 Liquid Evacuation Adapter for older design 7572FC and 7580FC Chek-Lok® Valves

Application

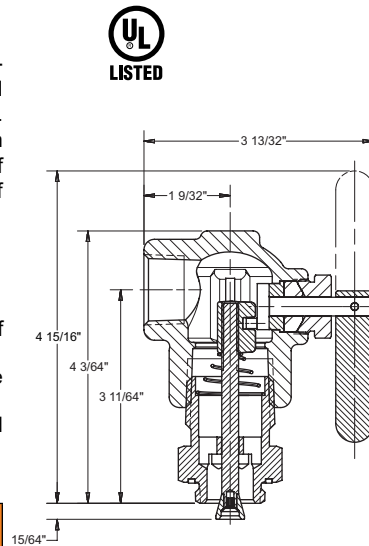
Designed specifically for use with RegO 7572FC and 7580FC Chek-Lok® Excess Flow Valves. The adapter's operating handle opens and closes the equalizing stem in these older style Check-Lok® valves. This adapter is designed to eliminate the need for gas to flow from the Chek-Lok® when the adapter is installed or removed. A shutoff valve, such as a full port ball valve must be installed at the outlet of the 7580F-20.

Features

- Built in nylon gasket provides a gas tight seal.
- Adapter can be installed without depressing the equalizing stem of the Chek-Lok®.
- Design eliminates the need to slug the excess flow feature of the Chek-Lok® when removing the adapter.
- Built in bleeder valve allows for controlled discharge of liquid before removing the adapter.

Ordering Information

Adapter Number	Inlet Connection	Outlet Connection	Approximate Length	Wrench Hex Flats
7580F-20	3/4" M.NPT	3/4" F. NPT	4 9/32"	1 3/8"



7580F-20



IMPORTANT SAFETY WARNING:

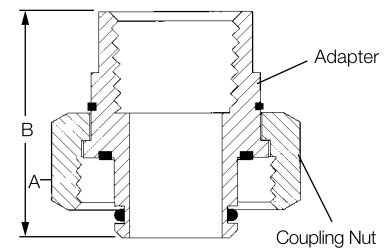
For Chek-Lok Valves used on bobtail trucks, be sure operator is properly trained and follows all instructions for opening and closing the Chek-Lok Valve. Debris might accumulate inside the bobtail truck container and may damage the Chek-Lok Valve. Routine cleaning of the bobtail truck container and inspection of the Chek-Lok Valve is therefore important.

Union Style Adapters for 7590U and 7591U Valves

The 7590U-10 adapter must be used to connect to the 7590U and 7591U Chek-Lok. This insures a proper connection to open the check mechanism. A built-in nylon gasket provides a gas tight seal.



7590U-10



Ordering Information

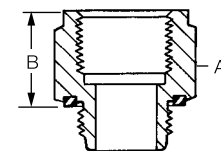
Adapter Number	Inlet Connection	Outlet Connection	A. Wrench Hex Flats	B. Approximate Length
7590U-10	1 5/8" UNF	3/4" F. NPT	1 3/4"	1 7/8"

Adapters for 7572FC and 7580FC Valves

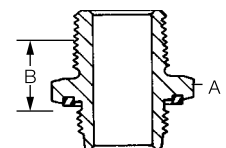
These adapters must be used to connect to the 7572FC and 7580FC Chek Loks to open the check mechanism properly. A built in nylon gasket provides a gas tight seal.



7572C-14A
For Transfer Valves



7572C-15A
For Globe and Angle Valves



Ordering Information

Adapter Number	Inlet Connection	Outlet Connection	A. Wrench Hex Flats	B. Approximate Effective Length
7572C-14A	3/4" M. NPT	3/4" F. NPT	1 3/8"	1"
7572C-15A		3/4" M. NPT		3/4"

Vapor Equalizing Adapter for 1-1/4" ACME Vapor Equalizing Valves

7573-20

Application

The 7573-20 is designed for use with RegO Multivalve® assemblies that utilize a vapor equalizing port and 7573 series vapor equalizing valves. The adapter's operating handle opens and closes the upper check stem in the vapor equalizing valve after the ACME connection is completely made up.

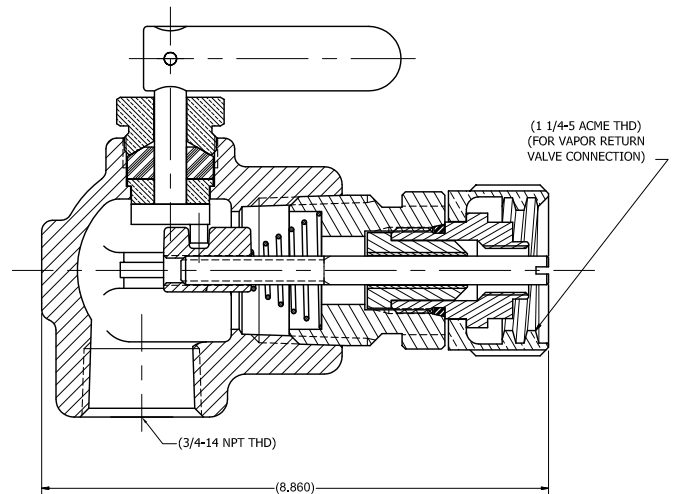
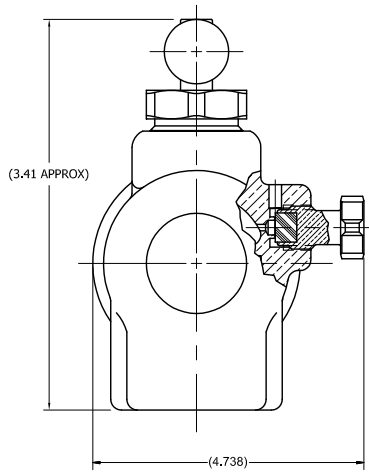
This adapter is designed to eliminate the need for gas flow from the vapor equalizing valve whenever the adapter is installed or removed. **A shutoff valve, such as a full port ball valve or globe valve must be installed before the 7573-20 adapter to stop gas flow when the adapter is not connected.**

Features

- Designed to seat against the gasket in the vapor equalizing valve for a gas tight seal.
- Adapter can be installed without depressing the upper check of the vapor equalizing valve.
- Designed to eliminate the need to gas discharge when connection or disconnecting from the vapor equalizing valve.
- Built in bleeder valve allows for controlled discharge of vapor before removing the adapter from the vapor equalizing valve.
- Built in bleeder valve allows controlled discharge of liquid before removing the adapter.



7593-20



Ordering Information

Adapter Number	Inlet Connection	Outlet Connection	Approx Length	Approximate Width
7573-20	1 1/4" F-ACME	3/4" M-NPT	4 7/16"	2 3/8"

Double-Check Filler Valves

General Information

RegO Double-Check Filler Valves incorporate a resilient upper check valve, normally designated as a filler valve, and a lower check valve, commonly called a back pressure check valve. Available in a range of sizes to cover virtually all LP-Gas storage containers, these valves are UL listed and meet NFPA standards, as well as other safety requirements.

Flow of liquid into the storage container opens both check valves. When flow stops, they both are designed to close automatically to permit the operator to disconnect the hose coupling. The automatic closing action also helps prevent the discharge of container contents in the event of hose failure. The lower back pressure check affords extra protection by restricting the discharge if the upper check fails to function properly due to accidents or other causes.

The double back check construction allows emergency inspection, repair, or replacement of the upper fill assembly without removing product from the container. When the upper filler valve body is removed, the lower back check valve provides a seal, permitting only some leakage, allowing a new upper filler valve body to be installed.

Spare Gasket Ordering Information

ACME	Part Number
1¼"	A2797-20R
1¾"	A2697-20R
2¼"	A3184-8R
3¼"	A3194-8R



Double-Check Filler Valves for Large DOT and ASME Tanks L6579 Series and L7579 Series

Application

Designed to provide fast filling of large motor fuel and ASME domestic tanks. The 6579 Series incorporates a swing-away lower check which greatly reduces pressure drop across the valve. This lower pressure drop promotes faster filling rates and greater efficiency resulting in more profitable operations.

Features

- Low emission- 2.14 cubic centimeters at disconnect (2.14cc versus 6.85cc)
- Double back check provides added system protection.
- Upper filler valve assembly can be easily replaced without evacuating the container.
- Both checks are spring actuated for quick, precise closure when flow into the valve stops or reverses.
- 6579 Series swing-away check promotes faster filling for more profitable operations.
- Specify RegO Filler Valves on all your original tank purchases to ensure quality and dependable performance.
- Temperature range of -40°F to +165°F. (-40°C to +73°C)
- MAWP: 250 PSIG(17 Bar)

Materials

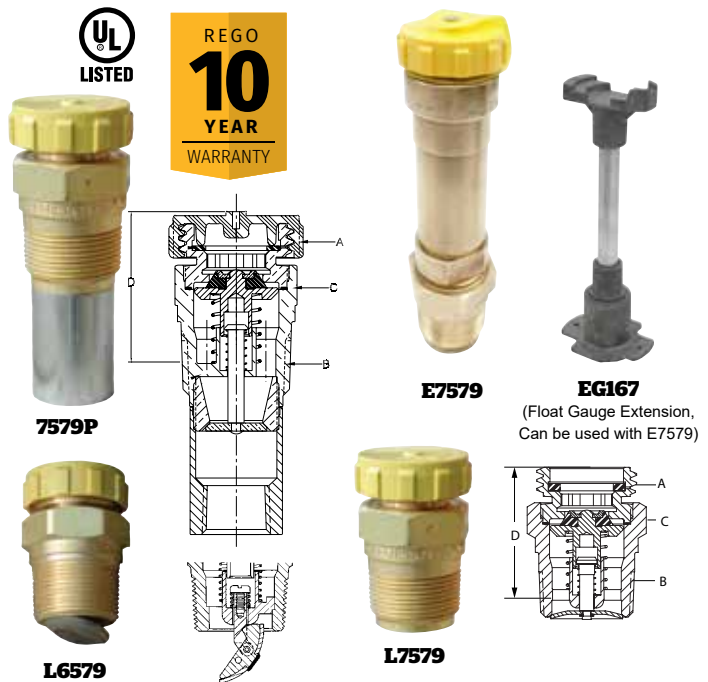
Upper Body..... Brass
 Lower Body..... Brass
 Springs..... Stainless Steel
 Washer and Seat Disc..... Synthetic Rubber
 Cap..... Plastic

Ordering Information

Part Number		A. ACME Hose Connection	B. Tank Connection M. NPT	C. Wrench Hex Flats	D. Effective Length (Approx.)	Propane Liquid Capacity at Various Differential Pressures (GPM)				
Basic	With Cap & Lanyard					5 PSIG	10 PSIG	25 PSIG	50 PSIG	75 PSIG
L7579	-	1¼"	1¼"	1⅝"	1 ²⁷ / ₃₂ "	50	70	111	157	192
7579P*					2 ¹ / ₂ "	37	52	82	116	142
L6579**	L6579C**				1 ²⁷ / ₃₂ "	78	110	174	246	301
E7579	E7579C				6 ⁵ / ₈ "					

* Incorporates ¾ F. NPT dip pipe connection (Not a low Emission Connection)

** Swing-away lower back check valve design for higher filling rate. NOTE: Multiply flow rate by .94 to determine liquid butane capacity.



Low Emission Filler Valve with Manual Shutoff Feature 7501L & 7502L

General Information

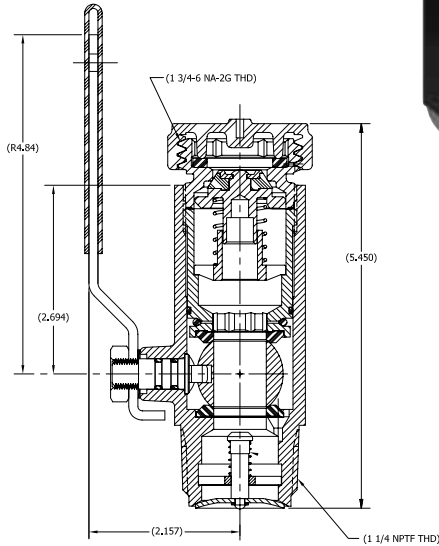
RegO Manual Double-Back Check filler valves that incorporate a resilient upper check and a **manual shutoff feature**. When filling a container from a delivery truck, this valve will allow flow into the container through the upper and lower check, when the manual lever is in the open position. When flow stops both the upper and lower checks will close; the lever is then turned to the closed position, the hose-end valve can then be removed from the filler valve.

Application

Designed for fast filling of larger DOT cylinders and ASME domestic containers; the 7501L and 7502L feature a manual shutoff in addition to upper and lower back checks.

Features

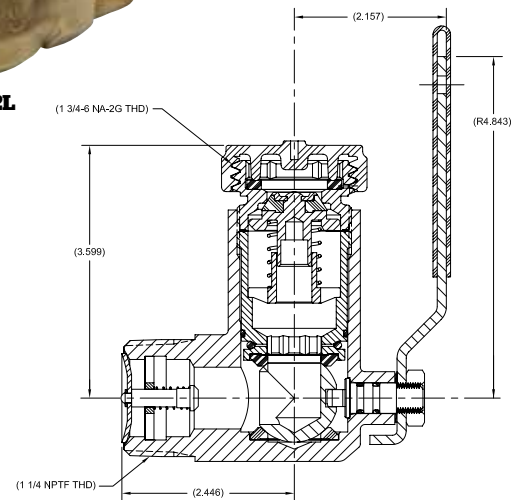
- Low emission 2 cc or less at disconnect.
- Meets NFPA 58 and UL requirements.
- Double back check provides added system protection.
- Checks are spring activated for quick precise closure when flow stops.
- Manual shutoff valve is designed to provide additional system protection when disconnecting hose end valve from filler valve.
- Hose end valve cannot be removed from the 7501L or 7502L if the lever is in the open position.
- When manual shutoff valve is closed, an integral back check prevents liquid from being trapped between the shutoff and the upper check.
- Temperature range of -40°F to +165°F. (-40°C to +73°C)
- MAWP: 250 PSIG(17 Bar)



7501L



7502L



Ordering Information

Part Number	Container Connection	ACME Hose Connection	Propane Liquid Capacity at Various Differential Pressures		
			15 PSIG	25 PSIG	50 PSIG
7501L	1½" M.NPT	1½" M.ACME	62 GPM	90 GPM	125 GPM
7502L					

Combination Filler and Overfill Protection Device (OPD) Low Emissions SF7647V Series

Application

This combined filler valve and overfill protection device is designed to provide fast filling and protection against overfilling of Vertical above ground small bulk type containers. The SF7647V Series offers good fill rates and an overfill prevention device that will stop* the flow of product into the container when the liquid level reaches 80-83% of its capacity.

Features

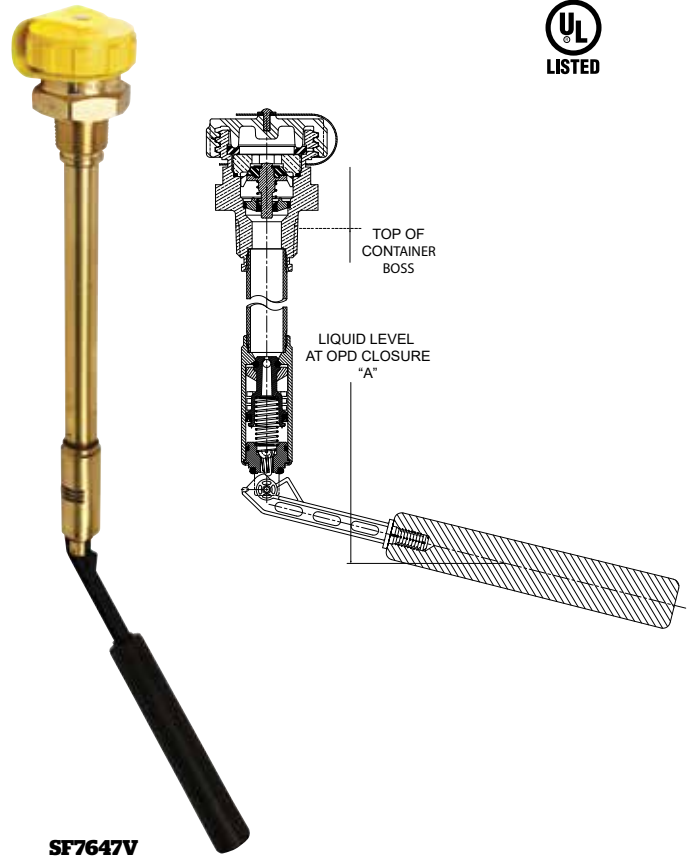
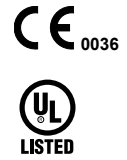
- Large flow area for fast filling.
- Resilient seated upper check.
- Stable Overfill Protection Device that is integral to the filler valve.
- Overfill Protection Device will stop the flow of liquid when the 80-83% level is reached.
- Temperature range of -40°F to +165°F. (-40°C to +73°C)
- MAWP: 250 PSIG(17 Bar)

Note:

- Must be installed in a vertical position.
- Depending on the application this valve is designed to be used in conjunction with another device such as a fixed liquid level gauge or float gauge in low emission transfer systems.

Materials

Upper body Brass
 Lower body Brass
 Springs Stainless Steel
 Washer and seat disc Synthetic Rubber
 Cap Plastic
 OPD check Nylon
 OPD lever and riser Nylon
 OPD float Closed Cell Nitrile



SF7647V



Ordering Information

Part Number**	ACME Connection	Tank Connection M.NPTF	Wrench Hex Flats	Length A*	Propane Liquid Capacity at Various Differential Pressures GPM		
					20 PSIG	30 PSIG	50 PSIG
SF7647V08.2	1 1/4" Male	3/4"	1 1/4"	8.2"	19	24	50
SF7647V08.8				8.8"			
SF7647V09.3				9.3"			
SF7647V11.0				11.0"			
SF7647V11.1				11.1"			
SF7647V11.9				11.9"			

* Distance from center thread to liquid level at OPD closure.

** Suffix number indicates dip tube length (Fixed liquid level gauge) different lengths available upon request.

Combination Low Emission Filler and Overfill Protection Device (OPD) SFL7579V Series

Application

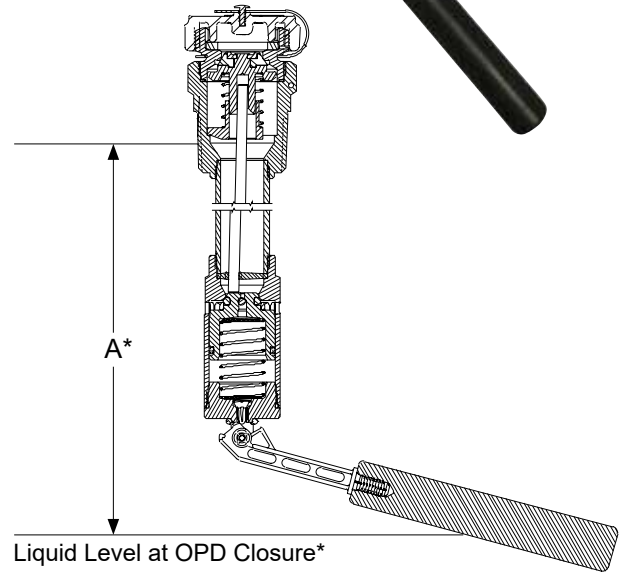
The SFL7579V Series filler valve is for use on ASME containers. This combined filler valve and overfill protection device is designed to provide fast filling and protection against overfilling of vertical and horizontal above ground LPG containers. This is typically installed in the top of horizontal containers.

Features

- Low emission filler valve, will not release more than 2.14cc when disconnected.
- Large flow area for fast filling.
- Resilient seated upper check.
- Stable Overfill Protection Device that is integral to the filler valve.
- Overfill Protection Device will stop the flow of liquid when the 80% level is reached.
- Temperature range of -40°F to +165°F (-40°C to +73°C)
- MAWP: 250 PSIG(17 Bar)



SFL7579V



Liquid Level at OPD Closure*

Note:

- Must be installed in a vertical position.
- Depending on the application this valve is designed to be used in conjunction with another device such as a fixed liquid level gauge or float gauge in low emission transfer systems.

Materials

Upper body	Brass
Lower body	Brass
Springs	Stainless Steel
Washer and seat disc	Synthetic Rubber
Cap	Resilient Molded Plastic
OPD check	Nitrile
OPD lever and riser	Nylon
OPD float	Closed Cell Nitrophenolic



Ordering Information

Part Number**	ACME Hose Connection	Tank Connection M.NPTF	Wrench Hex Flats	Length A*	Propane Liquid Capacity at Various Differential Pressures GPM			
					1 PSI	25 PSI	50 PSI	75 PSI
SFL7579VE07.5	1 1/4" Male	1 1/4"	1 1/8"	7.5"	23	49	54	66
SFL7579VE08.9				8.9"				
SFL7579VE10.6				10.6"				
SFL7579VE11.1				11.1"				
SFL7579VE12.3				12.3"				
SFL7579VE13.0				13.0"				
SFL7579VE13.8				13.8"				
SFL7579VE15.1				15.1"				
SFL7579VE17.1				17.1"				

* Distance from center thread to liquid level at OPD closure.

** Suffix number indicates dip tube length (Fixed liquid level gauge) different lengths available upon request.

Overfilling Prevention Device for Underground Containers OPD8475

Application

The OPD8475 is designed to provide an automatic means to prevent filling of a container in excess of the maximum permitted filling limit. While in use with a mating filler valve, it can be used to safely fill ASME underground containers.

Features

- Large flow area for fast filling.
- Resilient seated upper check.
- Overfill Protection Device will stop the flow of liquid when the 80-85% level is reached.
- Flexible float for ease of installation to UG Container Riser
- Temperature range of -40°F to +165°F. (-40°C to +73°C)
- MAWP: 250 PSIG(17 Bar)

Note:

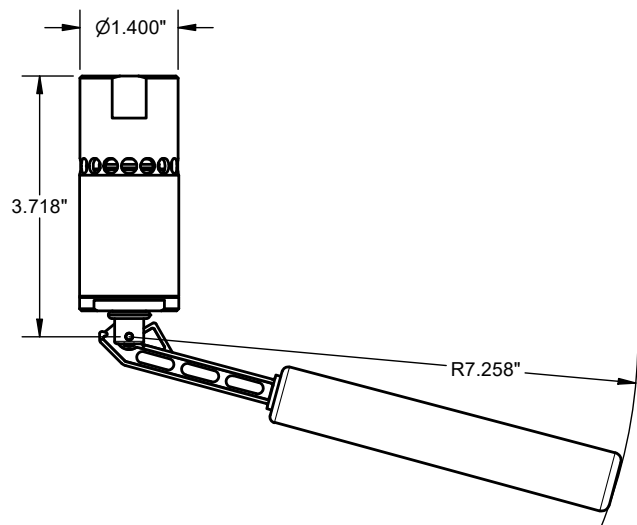
- Must be installed in a vertical position.
- Depending on the application this valve is designed to be used in conjunction with another device such as a fixed liquid level gauge or float gauge in low emission transfer systems.



OPD8475

Materials

Body Brass
 Springs Stainless Steel
 Check Nylon
 Lever and riser..... Nylon
 Float..... Closed Cell Nitrile



Ordering Information

Part Number	Inlet Connection FNPT	Wrench Hex Flats	Propane Liquid Capacity at Various Differential Pressures GPM		
			20 PSIG	30 PSIG	50 PSIG
OPD8475	3/4"	1 5/16	35	49	54

Double Check Low Emission Filler Valves for Forklift and DOT Containers 7647 Series

Application

Designed to provide fast filling of forklift, motor fuel, and recreational vehicle tanks.

Features

- Resilient seat disc in lower check designed to provide a gas tight seal without leakage.
- Double back check provides added system protection.
- Large 1 3/4" wrench flats on 7647SC allow use of socket wrench for easy installation.
- Specify RegO Filler Valves on all your original tank purchases to ensure quality and dependable performance.
- Temperature range of -40°F to +165°F (-40°C to +73°C)
- MAWP: 250 PSIG(17 Bar)

Materials

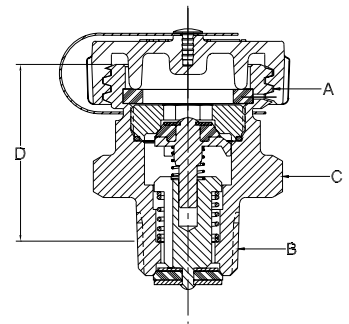
Upper Body.....	Brass
Lower Body.....	Brass
Springs.....	Stainless Steel
Washer and Seat Discs.....	Resilient Synthetic Rubber
Cap.....	Plastic



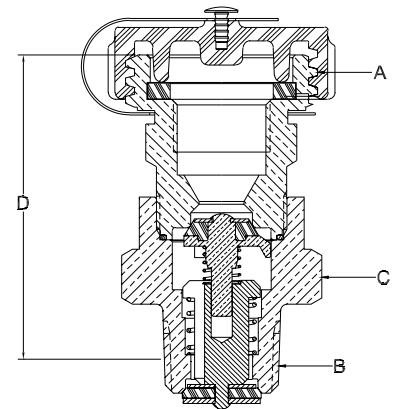
Lanyard and Cap



7647SC



7647DC



Ordering Information

Part Number	A Hose Connection	B Tank Connection M. NPT	C Wrench Flats	D Effective Length (Approx.)	Propane Liquid Capacity at Various Differential Pressures (GPM)**				
					10 PSIG	20 PSIG	30 PSIG	40 PSIG	50 PSIG
7647DC	1 3/4" ACME + F. POL	3/4"	1 5/8"	2 9/16"	14	20	24	27	50
7647SC*	1 3/4" ACME		1 3/4"	1 11/16"					

* Large 1 3/4" hex wrench flats.

** Multiply flow rate by .94 to determine liquid butane capacity.

Double Check Filler Valves for Delivery Truck Tanks and Large Storage Containers 7579S, 6587EC and 3197C

Application

Designed to provide fast filling of bobtails, transports and large bulk storage tanks.

The 6587EC incorporates a swing-away lower check which greatly reduces pressure drop across the valve. This lower pressure drop promotes faster filling rates and greater efficiency resulting in more profitable operations.

Features

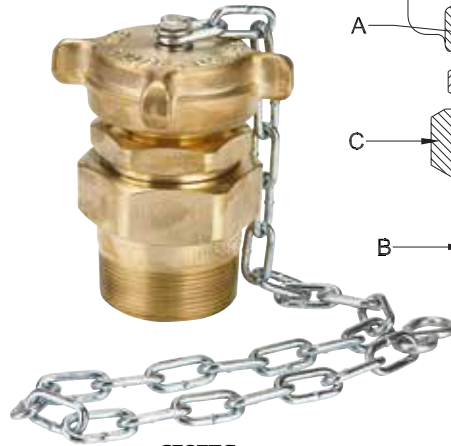
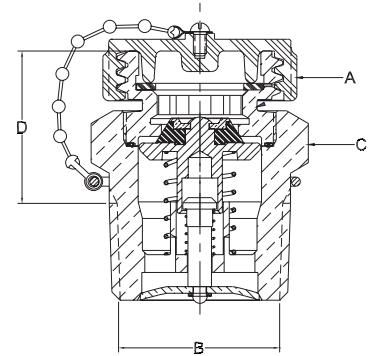
- Double back check provides added system protection.
- Upper filler valve assembly can be easily replaced without evacuating the container.
- Both checks are spring actuated for quick, precise closure when flow into the valve stops or reverses.
- 6587EC swing-away check promotes up to 65% faster filling rates for more profitable operations. Faster filling rates add longer pump life by reducing chances of cavitation.
- Specify RegO Filler Valves on all your original tank purchases to ensure quality and dependable performance.
- Temperature range of -40°F to +165°F (-40°C to +73°C)
- MAWP: 250 PSIG (17 Bar)

Materials

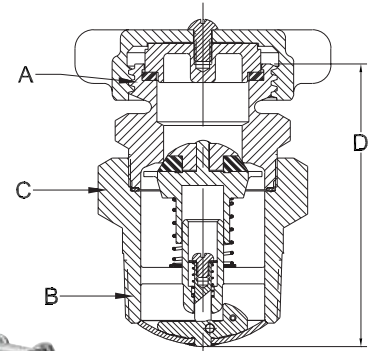
Upper Body.....	Brass
Lower Body (7579S and 6587EC).....	Brass
Lower Body (3197C).....	Plated Steel
Springs.....	Stainless Steel
Washer and Seat Discs.....	Synthetic Rubber
Cap (6587EC and 3197C).....	Brass
Cap (7579S).....	Plastic



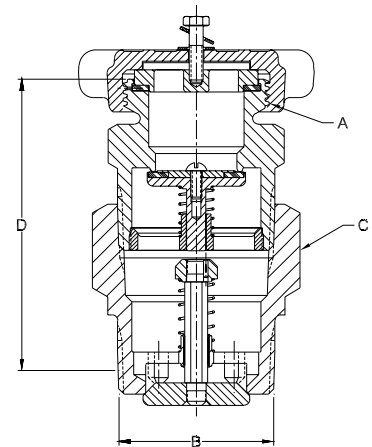
7579S



6587EC



3197C



Ordering Information

Part Number	A. ACME Hose Connection	B. Tank Connection M. NPT	C. Wrench Hex Flats	D. Effective Length (Approx.)	Propane Liquid Capacity at Various Differential Pressures (GPM)				
					5 PSIG	10 PSIG	25 PSIG	50 PSIG	75 PSIG
7579S	1 3/4"	1 1/2"	2"	2 1/8"	44	62	98	139	170
6587EC*	2 1/4"	2"	2 3/8"	4 3/8"	92	130	206	291	356
3197C	3 1/4"	3"	4"	6 1/2"	148	210	332	470	575

* Swing-away lower back check valve design for higher filling rates.
NOTE: Multiply flow rate by .94 to determine liquid butane capacity.

Single Check Filler Valves for Storage Tanks with Supplementary Back Check Valves 3174C, 3194C and 6584C

Application

Designed for use with RegO Back Check Valves to provide fast filling of bulk storage tanks. Also may be used as a spare or replacement part.

These single check filler valves must never be installed directly into container couplings. They must be used with the appropriate back check valve to comply with NFPA Pamphlet #58.

Features

- Specifically for use with RegO Back Check Valves.
- 6584C stem assembly reduces turbulence during filling and promotes higher filling rates.
- Specify RegO Filler Valves on all your original tank purchases to ensure quality and dependable performance.
- Temperature range of -40°F to +165°F (-40°C to +73°C)
- MAWP: 250 PSIG(17 Bar)

Materials

Upper Body.....	Brass
Lower Body	Brass
Springs	Stainless Steel
Washer and Seat Discs	Synthetic Rubber
Cap (3194C, 6584C)	Brass
Cap (3174C).....	Plastic



3174C



3194C, 6584C



Ordering Information

Part Number	ACME Hose Connection	Outlet Connection M. NPT	Wrench Hex Flats	Propane Liquid Capacity at Various Differential Pressures (GPM)				For Use With Back Check Valve:
				5 PSIG	10 PSIG	25 PSIG	50 PSIG	
3174C	1 3/4"	1 1/4"	1 11/16"	23	33	52	74	3176
6584C*	2 1/4"	2"	2 3/8"	156	220	348	492	A3186
3194C	3 1/2"	3"	3 1/2"	147	208	329	465	A3196

* Stem Assembly designed for higher filling rates.
NOTE: Multiply flow rate by .94 to determine liquid butane capacity.

Vapor Equalizing Valves

General Information

RegO Vapor Equalizing Valves consist of an upper back check valve and lower excess flow valve. In the closed position, the attachment of a vapor hose coupling with its projecting nozzle, opens the back check valve to permit flow in either direction. The lower excess flow valve is designed to close automatically when flow out of the container being filled exceeds the rated capacity. The valve closes automatically when the coupling is removed. Like the double-check filler valves, the vapor equalizing valves utilize a two-piece body construction. The lower excess flow valve will permit some leakage when the upper back check valve is removed for emergency repairs or replacement.

RegO Vapor Equalizing Valves are designed for use in both ASME and DOT containers.



Seal cap made of tough, resilient molded plastic. Protects threads and internal working parts. Caps are designed to contain normal tank pressures, and must be kept on valves at all times.

Long-wearing gasket permits hand-tight connection of cap and hose coupling.

Seat disc of special synthetic composition is extra thick for longer life.

Valve guide is precision machined to ensure positive seal.

Spare Gasket Ordering Information

ACME	Part Number
1 1/4"	A2797-20R
1 3/4"	A2697-20R

Double Check Vapor Equalizing Valves for ASME and DOT Containers

7573 Series and 3183AC

Application

Designed to facilitate loading operations by providing equalization of pressures in the supply and storage containers. The supplementary excess flow valve closes when the flow from the container being filled exceeds a predetermined rate.

The 7573 Series is designed for use in bulk delivery systems and motor fuel containers. The 3183AC is designed for use in delivery trucks and other large containers.

Features

- Double check provides added system protection.
- Specify RegO Vapor Equalizing Valves on all your original tank purchases to ensure quality and dependable performance.
- Temperature range of -40°F to +165°F (-40°C to +73°C)
- MAWP: 250 PSIG (17 Bar)

Materials

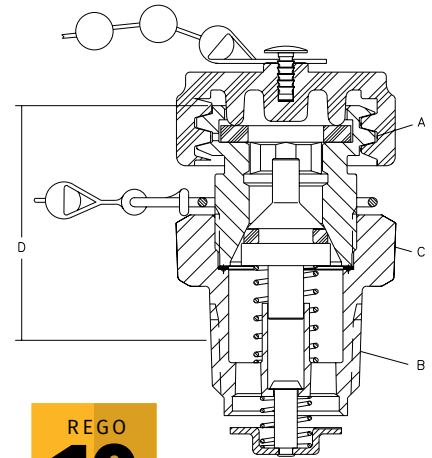
Body Brass
 Spring Stainless Steel
 Upper Check Seat + ACME Synthetic Rubber
 Body Gasket Copper
 Cap Plastic

Ordering Information

Part Number		A.	B.	C.	D.	Approx. Closing Flow at 100 PSIG Inlet Pressure (SCFH/Propane)
Basic	W/ Chain & Cap	ACME Hose Connection	Tank Connection M. NPT	Wrench Hex Flats	Effective Length (Approx.)	
7573D	7573DC	1 1/4"	3/4"	1 3/8"	1 1/2"	4,100
-	3183AC	1 3/4"	1 1/4"	2"	2 5/8"	10,000



7573 Series



Single Check Vapor Equalizing Valves for ASME and DOT Containers with Supplementary Excess Flow Valves

Application

Designed for use with RegO Excess Flow Valves to facilitate loading operations by providing equalization of pressures in the supply and storage containers. Also may be used as a spare or replacement part. These vapor equalizing valves must never be installed directly into container couplings. They must be used with the appropriate excess flow valve to comply with NFPA Pamphlet #58.

Features

- Specifically for use with RegO Excess Flow Valves.
- Specify RegO Vapor Equalizing Valves on all your original tank purchases to ensure quality and dependable performance.
- Temperature range of -40°F to +165°F (-40°C to +73°C)
- MAWP: 250 PSIG (17 Bar)

Materials

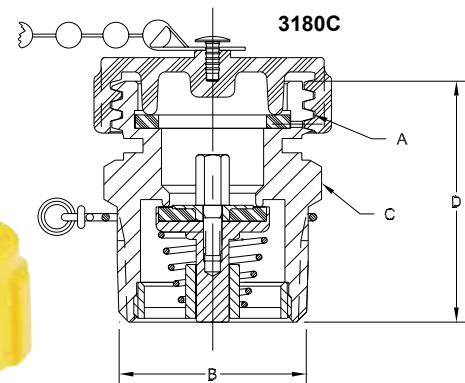
Body Brass
 Spring Stainless Steel
 Seat Disc Synthetic Rubber
 Seal Synthetic Rubber
 Cap Plastic

Ordering Information

Part Number		A.	B.	C.	D.	Approximate Closing Flow at 100 PSIG Inlet Pressure (SCFH/Propane Vapor)	For Use With Excess Flow Valve:
Basic	With Cap & Chain	ACME Connection	Tank Connection M.NPT	Wrench Hex Flats	Effective Length (Approx.)		
3170	-	1 1/4"	3/4"	1 1/4"	1 1/8"	7,600	3272E
-	3180C	1 3/4"	1 1/4"	1 1/8"	1 1/2"	10,000	3282A



3170



Back Pressure Check Valves

General Information

RegO Back Pressure Check Valves are designed to allow flow in one direction only. The check, normally held in the closed position by a spring, precludes the possibility of flow out of the container. When flow starts into the container, the pressure overcomes the force of the spring to open the check. When the flow stops or reverses, the check closes.

Metal-to-metal seats will allow slight leakage after closure. These valves will restrict the escape of container contents in the event of accidental breakage of the piping or fittings.

Back Pressure Valves for Container or Line Applications 3146 Series, 3176 Series, A3186, A3187S, A3196, and A3276BC

Application

Designed to provide protection of a container opening when desired flow is always into the vessel. May be used in line applications where flow must be limited to one direction.

When used with the appropriate single check filler valve, the combination forms a double check filler valve suitable for use in filling of bulk storage tanks.

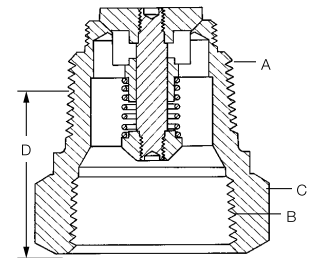
Features

- Generous flow channels for low pressure drop.
- Heavy-duty construction for long service life.
- Soft seat valves have synthetic rubber seat disc for positive seals.
- Temperature range of -40°F to +165°F (-40°C to +73°C)
- MAWP: 250 PSIG(17 Bar)

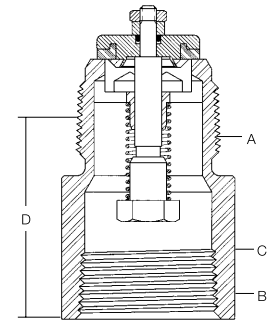
Materials

Body (3146, 3146S, 3176)	Brass
Body (all others)	Cadmium Plated Steel
Disc (3146, 3146S, 3176)	Brass
Disc (all others)	Cadmium Plated Steel
Stem (3146, 3146S, 3176)	Brass
Stem (A3146, A3196, A3276BC)	Stainless Steel
Stem (A3176, A3186)	Cadmium Plated Steel
Spring	Stainless Steel
Seat Disc (3146S, A3276BC)	Synthetic Rubber

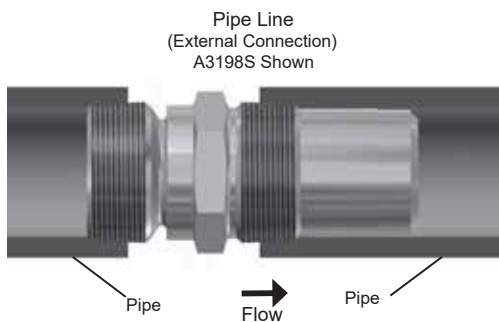
NOTE: The internal (female) pipe thread cannot be used to maintain a leak tight seal on the A3187S & A3197S. The female internal pipe threads are ONLY FOR STANDPIPE INSTALLATION INSIDE A CONTAINER.



3146 Series, 3176 Series, A3186, A3196



A3276BC



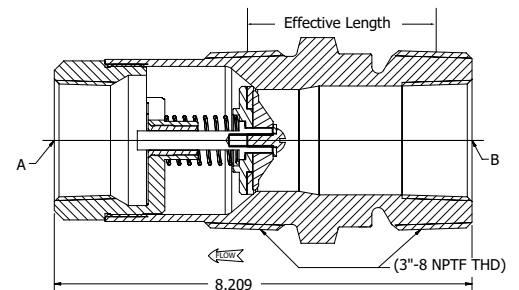
Caution: Do not use internal connection on the Pipe Line.



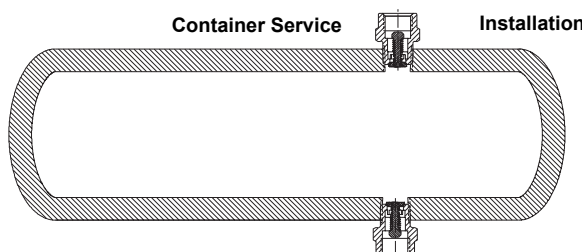
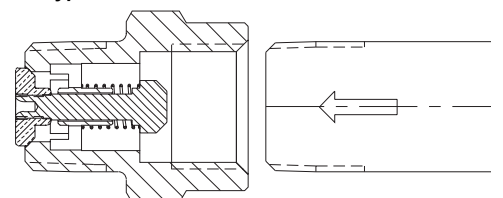
A3198S



A3187S



Typical Installation

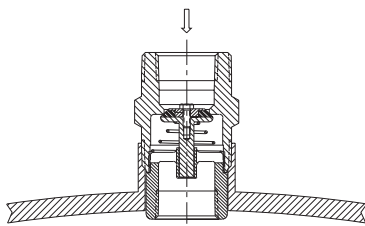


3146, A3146, 3146S, 3147S, A3276BC, 3176, A3176, A3186, A3196

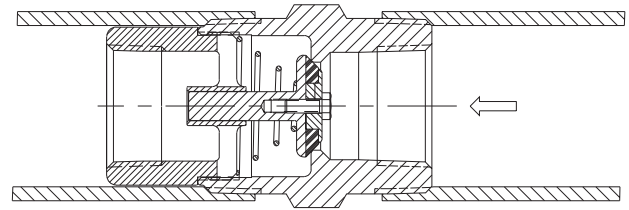
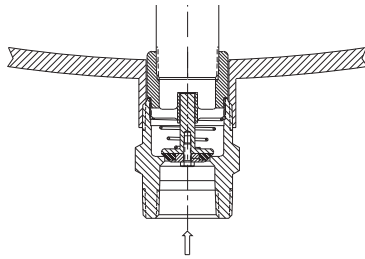


Back Pressure Valves for Container or Line Applications

3146 Series, 3176 Series, A3186, A3187S, A3196, and A3276BC



A3187S Container Service



A3187S Pipe Line Service

Ordering Information

Part Number		A Inlet Connection F. NPT	B Outlet Connection M. NPT	C Wrench Hex Flats	D Effective Length (approx.)	Propane Liquid Capacity at various differential pressures (GPM)			
Brass	Steel					5 PSIG	10 PSIG	25 PSIG	50 PSIG
3146	A3146	3/4"	3/4"	1 3/8"	1 15/16"	11	16	25	36
3146S*									
3176	A3176	1 1/4"	1 1/4"	2"	1 13/32"	28	40	63	89
	A3276BC*				2 1/8"	32	45	73	103
	A3186	2"	2"	3"	2 3/8"	124	175	276	391
	A3187S*	2" M & 1 1/4" F	2" M & 1 1/4" F	2 3/8"	1 27/32"	60	110	225	350
	A3196	3"	3"	4"	3 7/32"	297	420	664	939
	A3198S*	3" M & 2" F	3" M & 2" F	3 1/2"	3 1/4"	210	290	400	

*Soft seat version.

**The internal (female) pipe thread cannot be used to maintain a leak tight seal on the A3187S & A3197S. The female internal pipe threads are ONLY FOR STANDPIPE INSTALLATION INSIDE A CONTAINER.

NOTE: Multiply flow rate by .94 to determine liquid butane capacity and by .90 to determine liquid anhydrous ammonia capacity.

Swing-Away Back Pressure Check Valves for Container or Line Applications

6586D and A6586D

Application

Designed to provide protection of a container opening when desired flow is always into the vessel. May also be used in the line applications where flow must be limited to one direction.

When used with the appropriate single check filler valve, the combination forms a double check filler valve suitable for use in filling of bulk storage tanks.

The swing-away check offers more efficient flow rates than conventional designs. It swivels open vertically to reduce pressure drop across the valve and improves flow rates.

Features

- Swing-away check design offers faster flow rates.
- Heavy-duty construction for long service life.
- Temperature range of -40°F to +165°F (-40°C to +73°C)
- MAWP: 250 PSIG (17 Bar)

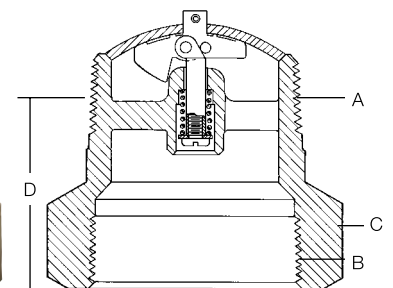
Ordering Information

Part Number		A. Inlet Connection F. NPT	B. Outlet Connection M. NPT	C. Wrench Hex Flats	D. Effective Length (Approx.)	Propane Liquid Capacity at Various Differential Pressures (GPM)			
Brass	Steel					5 PSIG	10 PSIG	25 PSIG	50 PSIG
6586D		2"	2"	2 3/4"	2 1/2"	190	270	420	600
	A6586D			2 1/8"					

NOTE: Multiply flow rate by .94 to determine liquid butane capacity.



6586D



Materials

Body (6586D)	Brass
Body (A6586D)	Steel
Disc	Stainless Steel
Stem Assembly	Stainless Steel
Spring	Stainless Steel
Screw	Stainless Steel



Back Pressure Check Valves for Flanged Installation A3400L4 and A3400L6

Application

Designed to provide high flow capacity and allow more efficient tank filling than conventional designs. The unobstructed throat area reduces flow turbulence through the valve, thereby reducing pressure drop. Large flow channels and spacious side ports ensure ample capacity for the most demanding high capacity filling operations.

The valve is designed for installation in internally threaded flanges in container bottoms.

Features

- Speeds up filling operations in bulk tanks.
- All steel and stainless steel construction ensures long service life.

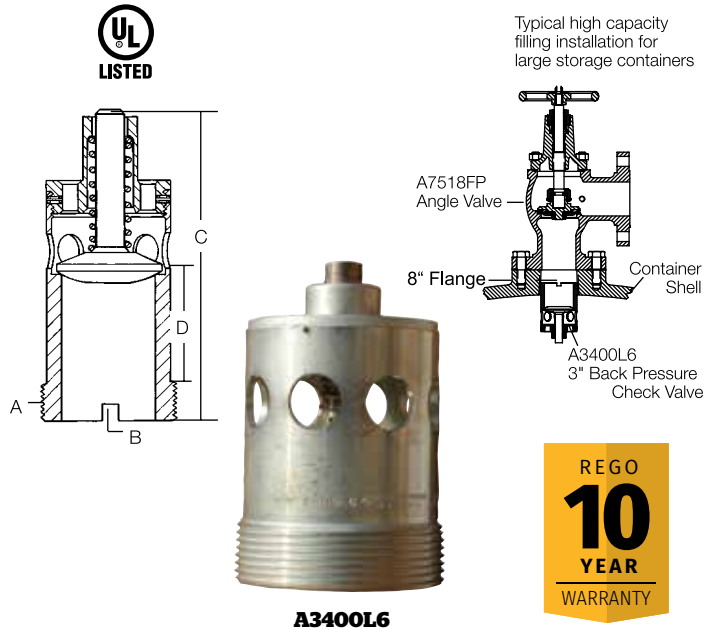
Materials

Body	Cadmium Plated Steel
Stem	Stainless Steel
Spring	Stainless Steel
Disc	Cadmium Plated Steel
Guide	Stainless Steel
Roll Pin	Stainless Steel

Ordering Information

Part Number	A. Flange Connection M. NPT	B. Wrench Hex Flats	C. Overall Length	D. Threaded End To Port	Propane Liquid Capacity at Various Differential Pressures (GPM)			
					5 PSIG	10 PSIG	25 PSIG	50 PSIG
A3400L4	2"	Slotted	5 1/4"	1 1/16"	223	316	500	707
A3400L6	3"		5 5/8"	1 1/16"	424	600	949	1342

NOTE: For installation in flange tank connections with internal threads, see the "Flanged Installation in Container" section under "Excess Flow Valves." Multiply flow rate by .94 to determine liquid butane capacity and by .90 for liquid anhydrous ammonia capacity.



Adhesive Warning Labels 903-500 and 7572-400

The following warning information, Part Number 903-500, is included with each shipment of Excess Flow, Check, Filler and Vapor Equalizing Valves to the first purchaser of the product from the factory.

This information is intended to be forwarded throughout the product distribution chain. Additional copies are available from RegO and Authorized Product Distributors.

These adhesive warning labels are intended for application as close as possible to the Chek-Lok® once the Chek-Lok® is installed.

The basic information contained on the label is intended for the benefit of the user of the Chek-Lok® and is not intended to be an "all-inclusive" product warning.

This label is printed on a heavy duty material with pressure sensitive adhesive backing. The ultra-violet ink stands up well when exposed to the environment.

DANGER READ THIS FIRST WARNING
LP-GAS IS EXTREMELY FLAMMABLE AND EXPLOSIVE
 AVOID SERIOUS INJURY AND PROPERTY DAMAGE. IF YOU SEE, SMELL OR HEAR ESCAPING GAS, EVACUATE AREA IMMEDIATELY! CALL YOUR LOCAL FIRE DEPARTMENT! DO NOT ATTEMPT TO REPAIR. DO NOT STORE IN BUILDING OR ENCLOSED AREA. DO NOT USE ON HOT AIR BALLOONS OR AIRCRAFT.

Make sure you are thoroughly trained before you attempt any valve installation, maintenance or repair. Improper conditions or procedures can cause accidents resulting in property damage and personal injury. Become thoroughly familiar with NFPA Safety Pamphlet 58 "LP-Gas Regulator and Valve Inspections & Maintenance" and RegO Safety Warnings "LP-Gas Cylinder Valves", "LP-Gas Excess Flow Valves", and "LP-Gas Filler and Hose End Filling Valves" found in the cylinder valve, excess flow valve, and filler valve sections of the L-500 & L-102 Catalogs. Follow their recommendations.

Know and understand NFPA Pamphlet 58 "Liquefied Petroleum Gas Code", which is the law in many states. This publication is available from NFPA, Batterymarch Park, Quincy, MA 02269. Following its requirements is essential in the safe use of LP-Gas. Section 4.4 states: "Persons who transfer liquid LP-Gas, who are employed to transport LP-Gas, or whose primary duties fall within the scope of this code shall be trained in proper handling procedures. Refresher training shall be provided at least every three years and shall be documented."

Make sure this valve is the proper one for this installation. Avoid misusing LP-Gas equipment.

Apply thread joint compound compatible with LP-Gas on valve external threads only. Make sure compound never comes into contact with other parts of the valve.

Install valves by applying force to wrenching flats only.

Tighten pipe threads approximately 1 to 1 1/2 turns beyond the hand-tight insertion point using a wrench which avoids damage to other valve parts.

Check for damage and proper operation after valve installation. Check that the valve is clean and free of foreign material.

Check container-valve connection with a non-corrosive leak detection solution before filling with LP-Gas.

Purge container before filling with LP-Gas (refer to the RegO LP-Gas Serviceman's Manual for recommended procedure).

Test excess flow check valve for proper operation before placing into service. See NPGA Bulletin 113 for recommended procedure.

Check outlet connection make-up for leaks with a non-corrosive leak detection solution when placing into service.

RegO Filler Valves: To prevent damage to the internal checks when it is necessary to utilize an unloading adaptor, use ONLY RegO 3119A, 3120 and 3121 Unloading Adaptors with RegO Filler Valves. Carefully follow the instructions supplied with these unloading adapters.

If container is not being placed into service at the present time, insert plug or cap onto the outlet connection.

In selecting a label for posting at the installation site, consider RegO part number 901-400 or 903-400 along with your own, NFPA's and others.

Remember to instruct the owner/user/customer in safety matters concerning LP-Gas and this equipment. See RegO Safety Warnings "LP-Gas Cylinder Valves", "LP-Gas Excess Flow Valves", and "LP-Gas Filler and Hose End Filling Valves" found in the cylinder valve, excess flow valve, and filler valve sections of the L-500 & L-102 Catalogs.

RegO requests that this information be forwarded to your customers. Additional copies are available from RegO and your authorized RegO Distributor.

REGO
 Printed in USA 09A-0910-0686
 Part number 903-500
 Elon, N.C. 27244 U.S.A. Phone (336) 449-7707 Fax (336) 449-6594 www.regoproducts.com

Part Number	Description
7572-400	Adhesive Warning Label

DANGER WARNING
LP-GAS IS EXTREMELY FLAMMABLE AND EXPLOSIVE
 AVOID SERIOUS INJURY AND PROPERTY DAMAGE. IF YOU SEE, SMELL, OR HEAR ESCAPING GAS, EVACUATE AREA IMMEDIATELY! CALL YOUR LOCAL FIRE DEPARTMENT! DO NOT ATTEMPT TO REPAIR. DO NOT STORE IN BUILDING OR ENCLOSED AREA. DO NOT USE ON HOT AIR BALLOONS OR AIRCRAFT.

CAUTION!
 Use this CHEK-LOK® connection only for liquid evacuation before moving tank in accordance with NFPA Pamphlet 58, which is the law in many states. This publication is available from NFPA, Batterymarch Park, Quincy, MA 02269. Read and follow RegO product instruction number 7572FC-301.

DO NOT REMOVE, DEFACE OR OBLITERATE THIS LABEL. DO NOT FILL THIS CONTAINER UNLESS THIS LABEL IS READABLE.

ADDITIONAL SAFETY INFORMATION IS AVAILABLE FROM
REGO
 Printed in U.S.A. 05-0114-0386
 Part Number 7572-400
 Elon, N.C. 27244 U.S.A. Phone (336) 449-7707 Fax (336) 449-6594 www.regoproducts.com

Section G
Internal Valves and Accessories

G

RegO Limited Express Warranty and Limitation of Liability

10-YEAR LIMITED EXPRESS WARRANTY

NOTICE

Failure to install parts exactly as described in the instructions could result in a product that will not perform properly or satisfactorily. Even if parts are correctly installed, the product might fail to perform properly or satisfactorily if other parts are worn, corroded or dirty. Improper repair can cause leaks and malfunction, which could result in significant bodily injury, including death and/or property damage. Any such use or installation of parts must ONLY be done by experienced and properly trained personnel using accepted governmental and industrial safety procedures. Engineered Controls International, LLC ("RegO") assumes no responsibility or liability for performance of products repaired in the field. It must be clearly understood that the person or organization repairing any product(s) in the field assumes total responsibility for the safe and proper performance of the product.

WARNING

All RegO products are mechanical devices that will eventually become inoperative due to wear, corrosion and aging of components made of materials such as rubber, plastic, etc. The environment and conditions of use will determine the safe service life of these products. Periodic inspection and maintenance are essential to avoid serious injury and property damage. Many RegO products are manufactured components which are incorporated by others on or in other products or systems used for storage, transport, transfer and otherwise for use of toxic, flammable and dangerous liquids and gases. Such substances must be handled by experienced and trained personnel only, using accepted governmental and industrial safety procedures.

LP-Gas is a highly explosive and flammable gas that should never be vented near a possible ignition source.

10-YEAR LIMITED EXPRESS WARRANTY

RegO warrants products and repair kits manufactured by it (other than its Presto-Link and Presto-Tap products) to be free from defects in materials and workmanship under normal use and service for a period of 10 years from the date of manufacture. If within 30 days after buyer's discovery of what buyer believes is a defect, buyer notifies RegO thereof in writing and ships the product (at buyer's expense) to RegO at 100 RegO Drive, Elon, N.C. 27244, RegO, at its option, and within 45 days, will repair, replace F.O.B. point of manufacture, or refund the purchase price of that part or product found by it to be defective. Failure of buyer to give such written notice and return the product within 30 days shall be deemed an absolute and unconditional waiver of any and all claims of buyer arising out of such defect. This limited express warranty does not extend to any product or part that is not installed and used continuously after installation in accordance with RegO's printed instructions, all applicable state and local regulations, and all applicable national standards, such as those promulgated by NFPA, DOT and ANSI. This limited express warranty does not extend to any product or part that has been damaged by accident, misuse, abuse, failure to maintain or neglect, nor does it extend to any product or part which has been modified, altered, disassembled or repaired in the field. This limited express warranty does not cover any cosmetic issues, such as scratches, dents, marring, fading of colors or discoloration.

EXCEPT AS EXPRESSLY SET FORTH ABOVE, AND SUBJECT TO THE LIMITATION OF LIABILITY BELOW, REGO MAKES NO OTHER WARRANTY, AND EXPRESSLY DISCLAIMS, ANY EXPRESS OR IMPLIED WARRANTIES, INCLUDING BUT NOT LIMITED TO THE IMPLIED WARRANTIES OF MERCHANTABILITY AND FITNESS FOR A PARTICULAR PURPOSE AND AGAINST HIDDEN OR LATENT DEFECTS, WITH RESPECT TO ITS PRODUCTS AND PARTS, WHETHER USED ALONE OR IN A COMBINATION WITH OTHERS. REGO DISCLAIMS ALL WARRANTIES NOT STATED HEREIN.

This limited express warranty is given by Engineered Controls International, LLC, of 100 RegO Drive Elon, N.C. 27244 USA, (336) 449-7707.

LIMITATION OF LIABILITY

RegO total liability for any and all losses and damages arising out of any cause whatsoever shall in no event exceed the purchase price of the products or parts in respect of which such a cause arises, whether such cause be based on theories of contract, negligence, strict liability, tort or otherwise. RegO shall not be liable for incidental, consequential or punitive damages or other losses. RegO shall not be liable for, and buyer assumes liability for all personal injury and property damage connected with the handling, transportation, possession, further manufacture, other use or resale of products, whether used alone or in combination with any other products or material. From time to time buyers might call to ask RegO for technical advice based upon limited facts disclosed to RegO. If RegO furnishes technical advice to buyer, whether at buyer's request, with respect to application, further manufacture or other use of the products and parts, RegO shall not be liable for such technical advice provided to buyer by any third party and buyer assumes all risk of such advice and the results thereof.

NOTE:

Some states do not allow the exclusion or limitation of incidental, consequential or punitive damages, so the above limitation or exclusion may not apply to you. This warranty gives you specific legal rights, and you may have other rights that vary from state to state. The portions of this limited express warranty and limitation of liability shall be considered severable and all portions which are not disallowed by applicable law shall remain in full force and effect. The benefits given by the limited express warranty above are in addition to any other rights and remedies to which you may be entitled by law.

NOTE TO AUSTRALIAN PURCHASERS:

The following applies if you purchased this product as a "consumer" as defined in the Australian Consumer Law. Our goods come with guarantees that cannot be excluded under the Australian Consumer Law. You are entitled to a replacement or refund for a major failure and compensation for any other reasonably foreseeable loss or damage. You are also entitled to have the goods repaired or replaced if the goods fail to be of acceptable quality and the failure does not amount to a major failure. Information regarding how to return a product and make a claim under this limited express warranty is set forth below. Nothing in this document purports to modify or exclude your rights if any under the Australian Consumer Law, or other laws which cannot be lawfully be modified or excluded.

NOTICE TO USERS OF PRODUCTS

The limited express warranty stated above is a factory warranty to the first purchasers of RegO products. Since most users have purchased these products from RegO distributors, to make a claim under this limited express warranty the user must, within 30 days after the user's discovery of what the user believes is a defect, notify in writing the distributor from whom he purchased the product or parts, and return the product or parts (at the user's expense) to that distributor. The distributor may or may not at the distributor's option, choose to submit the product or parts to RegO, pursuant to its limited express warranty. Failure by buyer to give such written notice within 30 days shall be deemed an absolute and unconditional waiver of buyer's claim for such defects. Acceptance of any alleged defective product or parts by RegO distributor for replacement or repairs under terms of RegO limited express warranty in no way obligates RegO to the terms of the above warranty. Because of a policy of continuous product improvement, RegO reserves the right to change designs, materials or specification without notice.

Except as expressly set out above, RegO makes no warranties in relation to RegO products and RegO's liability in respect of any allegedly defective product is limited to the cost of replacing or repairing the product.

100 RegO Drive, Elon, N.C. 27244 U.S.A. Phone +1 (336) 449-7707
Fax (336) 449-6594 www.regoproducts.com RegO is a registered trademark of Engineered Controls International, LLC.

Foreword

This catalog describes a complete line of equipment available from RegO® for use with Liquid Propane (LP)-Gas and anhydrous ammonia (NH₃). The following points are important to know for proper use of the catalog:

1. Illustrations and drawings of individual products are representative of “product groups” and all products within a product group are similar in construction.
2. Materials used for construction of products in this catalog are suitable for rated service pressure at temperatures of -40°F to +165°F, unless otherwise specified.
3. Products in this catalog are only intended for use in LP-Gas and/or anhydrous ammonia service as follows.
 - a. “A” or “AA” prefix — Products with this prefix are suitable for NH₃ service (i.e., contain no brass parts).
 - b. “AA” prefix on relief valves — These valves are NOT suitable for use with LP-Gas service. These are of partial aluminum materials and are listed by Underwriters Laboratories (UL) for NH₃ service only.
 - c. All other products including “A” prefix are suitable for use with LP-Gas & NH₃ service.
 - d. “SS” prefix—Hydrostatic relief valve with this prefix are suitable for NH₃ and LP-Gas service (i.e., they have stainless steel materials).
4. We manufacture valves and adapters designed to be used on LP-Gas and Anhydrous Ammonia systems, we do not design systems or consult in system design. For this type of information consult a professional Engineer.

Caution

Do not use any product contained in this catalog with any service commodity other than LP-Gas or NH₃. If you have a need for use of another application, contact RegO, 100 RegO Drive, Elon, NC 27244, (336) 449-7707 ecii@regoproducts.com before proceeding.

Proper application, installation and maintenance of products in this catalog are essential. Users of these products should obtain further information if there are any doubts or questions.

Warning

All RegO products are mechanical devices that will eventually become inoperative due to wear, corrosion and aging of components made of materials such as rubber. The environment and conditions of use will determine the safe service life of these products. Periodic inspection and maintenance are essential to avoid serious injury and property damage.

Many RegO products are manufactured for storage, transport, transfer and use of toxic flammable and dangerous liquids and gases. Such substances should be handled by experienced and trained personnel only, using accepted governmental and industrial safety procedures. Never vent LP-Gas near any possible source of ignition.

Notice

Installation, usage, and maintenance of all RegO products must be in compliance with all RegO instructions as well as requirements and provisions of NFPA #54, NFPA#58, DOT, ANSI, and all applicable federal, state, provincial and local standards, codes, regulations, and laws.

Inspection and maintenance on a periodic basis is essential. Installation and maintenance should be performed only by qualified personnel.

Be sure all instructions are read and understood before installation, operation and service.

Filters

RegO LP-Gas equipment is designed to operate in a system free from contamination. A variety of in-line filters are commercially available to the LP-Gas industry for installation in domestic systems.

The use of an in-line filter should be considered when other system components may be unclean and the system contaminated by rust, scale, dirt, debris or other foreign material.

Warnings



Purpose

In its continuing quest for safety, RegO publishes a series of bulletins explaining the hazards associated with the use, misuse, and aging of LP-Gas valves and regulators. It is hoped that these factual bulletins will make clear to LP-Gas dealer managers and service personnel, that the utmost care and attention must be used in the installation, inspection, and maintenance of these products, or problems could occur which would result in injuries and property damage.

The National Fire Protection Association NFPA 58 Liquefied Petroleum Gas Code - 2024 Edition states in Section 4.4 Qualification of Personnel; "Persons whose duties fall within the scope of this code shall be provided with training that is consistent with the scope of their job activities and that includes proper handling and emergency response procedures... Refresher training shall be provided at least every 3 years, initial and subsequent training shall be documented". These "RegO Safety Warnings" may be useful in training new employees and reminding older employees of hazards that can occur. It is recommended that all employees complete the Propane Education Research Council's Certified Employee Training Program.'

Nature of Warnings

It is recognized that warnings should be as brief as possible, but the factors involved in internal valve and excess flow valve failures to perform are not simple. They need to be fully understood. If there is a simple warning, it would be:

Make sure that the internal valve's excess flow feature really closes when the flow exceeds rated closing flow, and that the valve will shut-off.

This bulletin is not intended to be an exhaustive treatment of internal valves, and certainly does not cover all safety practices that should be followed in installation, operation and maintenance of LP-Gas systems, which include internal valves.

Internal valves must be closed on Cargo Vehicles when traveling on public roads and highways. The valve should only be open when pumping. Per MC 330 or 331, internal valves must also be equipped with remote closure system when used on transports or bobtails.

There are two types of internal valves being used on storage tanks, transports and bobtails — spring loaded internal valves and differential pressure internal valves. They both provide positive shut-off when product is not being withdrawn and may include excess flow protection for the system during transfer operations.

Spring Loaded Internal Valves

Spring loaded internal valves are manually opened by levers, by means of fuse linked cable mechanisms or pneumatic or hydraulic actuators. They incorporate an excess flow feature that will close the valve when the flow through the valve exceeds its rate of flow. These valves should never be locked open by means of wires, chains, pegs or other devices.

Testing

Testing should be completed on a periodic basis.

1. To check operation of a spring loaded valve, activate the remote control to close the valve while unit is pumping. If the meter indicator flow continues, the valve should be repaired immediately.

2. Testing excess flow feature.

The National Propane Gas Association Safety Bulletin #113-78 states: "In order to test an excess flow valve in a piping system, the flow through the valve must be made to exceed the valve's closing rating."

This testing should only be attempted by trained personnel familiar with the process. If no one at the facility has experience in proper testing, outside expert help should be obtained.

The exact procedure used may vary with the installation, advisability of gas discharge and availability of equipment.

In general, most testing makes use of the fact that the excess flow valves are "surge sensitive" and will close quicker under a sudden flow surge than under steady flow. A sufficient surge can often be created by using a quick open/close valve to control sudden, momentary flow into a tank or piping section containing very low pressure. An audible click from the excess flow valve (and corresponding stoppage of flow) indicates its closure.

A test involving venting gas to the atmosphere is hazardous and may be impractical, or illegal.

Any test of any excess flow valve will not prove that the valve will close in an emergency situation, due to reasons cited before. This test will only check the valves condition, and the flow rate sizing for those test conditions.

3. Tight Shut-Off — A test should be made to ensure the internal valve will give a gas tight seal when the valve is in the closed position. This will require removal of all product downstream from the internal valve, to ensure the valve will give 100% seal when in the closed position. If the internal valve does not give 100% seal the valve should be repaired immediately.

Pressure Differential Internal Valves (Flomatics®)

Pressure differential valves (Flomatics®) open by pump pressure and close when the pump stops. These valves must never be locked open by means of wires, chains, pegs or other devices.

Testing

Testing should be completed on a periodic basis.

1. To check operation of a differential pressure internal valve activate the remote control shut-off valve while the unit is pumping. If the meter indicates that flow continues the valve should be repaired immediately.

2. Since the differential pressure internal valve requires at least 18 psi to open and 8 psi over container pressure to keep open, a test may be performed to check for closure. With the PTO disengaged, connect delivery hose to a container with very low pressure. Then with hose end valve open, engage PTO. The internal valve should remain closed, no flow should be detected through the meter. If flow continues through the meter the valve should be repaired immediately.

3. Tight Shut-Off — A test should be made to ensure the internal valve will give a gas tight seal when the valve is in the closed position. First ensure the pump prime valve is closed by turning clockwise until it seats. Then with the valve closed (PTO disengaged) the product downstream from the internal valve will have to be safely removed. If the internal valve does not give 100% seal, the valve should be repaired immediately.

General Warning

All RegO Products are mechanical devices that will eventually become inoperative due to wear, contaminants, corrosion and aging of components made of materials such as metal and rubber.

The environment and conditions of use will determine the safe service life of these products. Periodic testing at least once a year when tank pressures are low and maintenance, as required, are essential.

Because RegO products have a long and proven record of quality and service, LP-Gas dealers may forget the hazards that can occur because an excess flow valve is used beyond its safe service life. Life of an excess flow valve is determined by the environment in which it "lives". The LP-Gas dealer knows better than anyone what this environment is.

NOTE: There is a developing trend in state legislation and in proposed national legislation to make the owners of products responsible for replacing products before they reach the end of their safe useful life. LP-Gas dealers should be aware of legislation which could effect them.



Manual Internal Valves

A3200 Series

General Information

Manual Internal Valves are designed for a variety of uses in LP-Gas and anhydrous ammonia service. In addition, accessories allow most of them to be actuated manually, by cable or with air.

Installation, usage and maintenance of this product must be in compliance with all RegO instructions, as well as requirements and provisions of NFPA # 58, DOT, ANSI, and all applicable federal, state, provincial, and local standards, codes, regulations and laws.

How The Valves Work

Refer to the drawings. View "A" shows the valve held closed without leakage by tank pressure and the valve's closing spring. Actuation of the operating handle alone does not open the valve, it only allows pressure to equalize between the inlet and outlet of the valve by rapid bleeding of the product downstream. This equalized pressure then allows the valve to open via the internal spring.

The valve opens by moving the handle to mid-point, see view "B". This position allows the actuator to put the equalizing portion of the valve stem in the pilot opening, allowing more product to bleed downstream than if the handle was fully open.

In a few seconds, the tank and downstream pressure will be nearly equal. The excess flow spring will push the main poppet to the open position, see view "C", the handle should then be moved to the fully open position.

If at first, the handle is quickly moved to the fully opened position, the pilot valve allows a small amount of bleed downstream, but much less than during rapid bleed (view "B"). This results in a longer pressure equalizing time before the main valve can open.

NOTE: The main poppet will not open until outlet pressure approximates tank pressure!

Once the main poppet is open, flow greater than the excess flow rating, or a sufficient surge in flow, forces the main poppet closed against the excess flow spring, as seen in view "D". The pilot valve in this position is open and allows a small amount of bleed downstream, but much less than during rapid bleed (view "B").

When the operating handle is moved to the closed position, the valve closes and a leak-tight seal is re-established as seen in view "A".

NOTE: To provide excess flow protection, the flow rating of the pump, piping, valves, fittings, and hose on the inlet and outlet sides of the valve must be greater than the flow rating of the valve. Any restrictions that reduce the flow to less than the excess flow valve rating will result in the excess flow valve not operating when required.

Valve Operation and Precautions

1. Valve must be opened before starting pump, and before opening valve on pump outlet.
2. Leave pumping system "wet" to avoid drying of seals and to reduce time involved in opening valve. Drain piping only when required by codes or safe operating practices.
3. When piping is dry or at lower pressure than the tank, open valve half-way for a few seconds to allow line pressure to equalize before fully opening the valve handle. The main poppet may not open immediately if the handle is placed in the open position too quickly.
4. Flow surges may close the built-in excess flow valve and should be avoided. If the valve slams shut, immediately stop the pump, close the nearest downstream valve, and move handle to midpoint position to equalize pressure until valve reopens with a click, then restart pump and open downstream valve slowly.

These valves must remain in the closed position except during product transfer. A line break downstream of the pump may fail to actuate the excess flow valve as the pump may limit flow. If break occurs in the system, or the excess flow closes, immediately shut down the system.

Inspection and maintenance on a periodic basis is essential. Installation and maintenance must be performed only by qualified personnel.

Be sure all instructions are read and understood before installation and operation of these valves.

5. Always keep valve closed except during product transfer.

6. Completely open all valves during pumping. Partially closed or throttle type valves may prevent excess flow valve from closing when required, even in a properly designed piping system.

7. All personnel must be aware of remote closure locations and their operation in case of emergency. They must also be aware of the equalizing opening through which bleeding can occur after the excess flow valve closes. If this bleed is not stopped by closing a downstream valve, a hazard may occur.

8. Never, under any circumstances, permanently wire open the operating handle of the internal valve.

Cable Control System

The cable control system employed must meet the requirements and be in accordance with the provisions of NFPA #58, DOT, ANSI, and all applicable federal, state, provincial and local codes.

Troubleshooting

1. Internal Valve Will Not Open. Causes may be excess leakage downstream, pump engaged too quickly, excessive wear of valve, or ice freezing of poppet.

When there is excessive volume downstream, a greater amount of time is required to equalize tank and downstream pressure.

To determine if the pilot seat is opening, install a pressure gauge downstream of valve outlet, open any hand valves between valve and pressure gauge, and open valve. Pilot seat is not opening if pressure does not build up to tank pressure. Perform this test with pump off. A broken internal part may cause pilot seat not to open.

If operating handle rotates past the full open position, there is internal malfunctioning, and the valve must be disassembled and repaired.

2. Premature Valve Closure.

First, check to see that operating lever is properly connected and fully opens valve. Premature closure may also be a result of engaging pump too quickly, sudden line surges, an underrated excess flow spring or an obstructed inlet port.

3. Valve Will Not Close.

Usually a result of faulty or sticking actuator. First, check the actuator to see that it works freely by disconnecting it from valve handle and cycling it several times. Also, operate valve handle manually. If it sticks in the open position, replace the packing and bushings. This should free the operating mechanism providing the valve has no internal damage.

4. Low Flow Capacity

Downstream piping may be too small and/or long, screen or strainer may be plugged, possible restriction downstream, or a bypass valve stuck in the open position are causes of low flow. Also, the bypass valve may be set too low and prematurely opening. Check for high differential pressure across the bypass valve. If bypass valve is open, the differential across the valve should not exceed 5 to 6 psig.

Maintenance

Potential problems may be eliminated with preventive internal valve maintenance. Perform the following steps once a month:

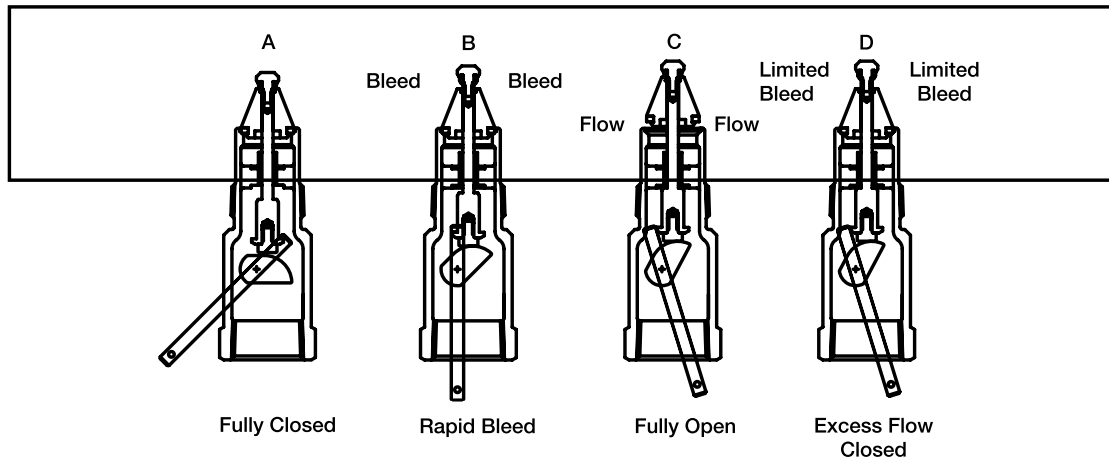
1. Check to see that the operating lever moves freely and smoothly. There should be no leakage around the lower stem or seal housing. Leakage requires replacement of the seal housing packing. A sticking lever indicates trapped foreign material or mechanism wear.
2. Check both seat discs for tight closure. Close valve and exhaust downstream pressure. Be sure piping is warmed to an ambient temperature. Close the first downstream valve and note pressure buildup between the closed valves with a pressure gauge. If leakage occurs, replace both seat discs.

3. Inspect, clean and oil all operating controls. Check controls to see that they open fully, but do not overtravel the valve operating lever. See that they work freely to close the valve. Worn parts should be replaced.

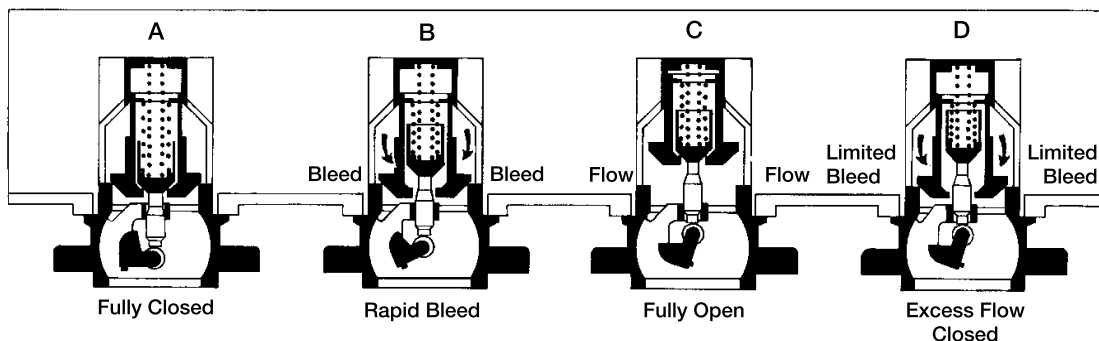
4. Remove valve if the tank is to be steam cleaned. Heat may damage the valve's seals.

5. Valve is not designed for water service. After tank is hydrostatically tested, immediately remove all water and allow tank to thoroughly dry out before installing valve.

- A3209D Series, 1¼" Straight
- A3209DT Series, 1¼" Tee Body
- A3211D Series 1½" Straight
- A3212R Series, 2" Straight
- A3212RT Series 2" Tee Body
- A3213D Series, 3" Straight
- A3213DT Series 3" Tee Body



A3219FA Series, 4" Flanged



RegO Internal Valves - Know the Facts.

A better built valve, means lower cost of ownership.

Better Support Saves You Money

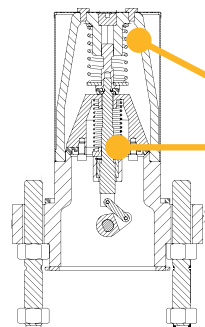
- **10-year warranty** is twice the industry average giving you peace of mind.
- **Largest distributor network** with locations near you and experts to support you.

Reliable Product Saves You Money

- **Superior design** with features that provide functionality you can count on.
- **Manufacturing excellence** in our factories means every product has consistent quality.
- **100% testing of all products** for proper functional use, for example, leakage, lockup and set pressure. All products are tested at multiple steps in the process from incoming component quality to final assembly.
- **Meet or exceed** UL 125 and NFPA 58 standards.

Ease of Installation and Service Saves You Money & Time

- **Installations are quick and easy**, available in flanged, double flanged and threaded, the valves may be operated manually by cable, pneumatically electrically or with a rotary actuator.
- **Sizes 1/2" - 4"**
- **Internal valves are serviceable** easily by service personnel.
- **Quality products** mean less service calls from your customers.



Machined Excellence

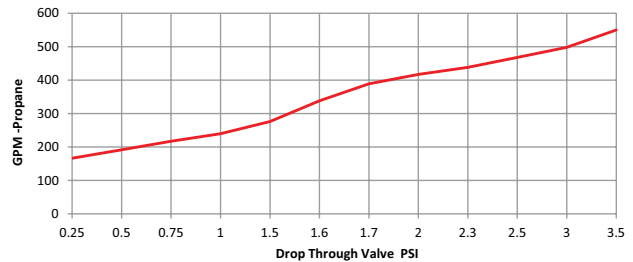
Precision machined stem & housing to allow for accurate guidance of the stem and seat assembly.



Highest Flow Rate

RegO internal valves have the highest flow rate at the lowest pressure drop. Allowing for a higher downstream pressure and greater flow rate.

A3217A & FA Series



Electric Actuation



Rotary Actuation



Pneumatic Actuation



Manual Actuation



Excess Flow Feature

The excess flow feature will allow for protection to help control discharge of product in the event of complete breakage of pipelines or hose ruptures.

How to Size Internal Valves

Internal valves are rated in closing flow not rated flow capacity. The closing flow can range from -20% to +10% from what is marked on the body or in the catalog. To provide proven excess flow protection, the flow rating of the pump, piping, valves, fittings and hose on the inlet and outlet sides of the valve must be greater than the flow rating of the valve. Any restrictions that reduce the flow to less than the excess flow valve rating will result in the excess flow valve not operating when required.

Easy to Service

RegO internal valves are easy to service and come with detailed instruction sheets to get the job done right.



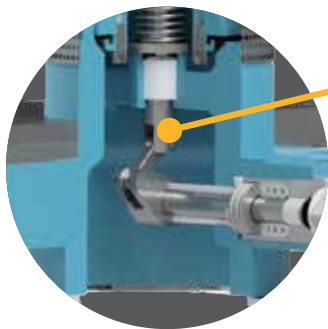
To select the correct closing flow for the proper application

- Determine the maximum GPM or CFH flow the system will require
- Add 50% to this value and use it to select the appropriate closing flow

Example: 3" Single flanged internal valve needed

$$330 \text{ GPM System Flow} \times 150\% \text{ Sizing Factor} = 495 \text{ GPM Selected Closing Flow}$$

An A3217AR510 would be the proper valve for LPG service. When ordering valves selecting the proper coupling and LPG or NH3 service will allow for the proper closing flow as seen listed below.



Reliable Service

Sturdy linkage design to allow for optimal movement between the stem and lever arm assembly.

Part Number		Closing Flow GPM, LPM	
Right Position Operating Lever	Left Position Operating Lever	LP-Gas GPM	NH3 GPM
Single Flange			
A3217AR160	A3217AL160	160	145
A3217AR210	A3217AL210	210	190
A3217AR260	A3217AL260	260	236
A3217AR410	A3217AL410	410	372
A3217AR510	A3217AL510	510	459
Double Flange			
A3217DAR160	A3217DAL160	160	145
A3217DAR210	A3217DAL210	210	190
A3217DAR260	A3217DAL260	260	236
A3217DAR410	A3217DAL410	410	372
A3217DAR510	A3217DAL510	510	459



Upgrade your system with Electric Actuators

Easy Installation | Dual Fail-Safe Protection | Maintenance-Free

Electric Actuators are a simple, safe and reliable solution with accurate and smooth motion control. There is no need for a compressed air source and no concern of moisture freezing shutting a system down. Remote emergency-shut-down locations can be easily installed and easily maintained. The electric actuators come installed on the valve and are tested for proper operation at the factory. All electric actuators are rated CSA UL Class 1 Div 1 Explosion proof enclosures.

Electric actuators are available to retrofit existing RegO valves and are easy to install. Positional indication and operation, can be remoted to a truck cab or control panel (or PLC) to indicate valve position. Manual override handle also indicates position and can be used for Lock-Out. An internal heater is installed to ensure reliability. A thermal fuse is incorporated to ensure no over temp.

Safety Features



Fusible Link
UL rated mechanically fails at 100°C (212°F) allowing internal valve's spring to shut off the flow.

Electronic Thermal Cut-Off

Internal component cuts power line at 89°C (208°F). Actuator closes when power is lost.

General Specifications

Model	Torque Range (in-lbs)	Speed Range (time to open)
RDM	44 .. 95	2 sec .. 10 sec

- Enclosure: NEMA 6 / IP67 IP67 / 40°C (104°F)
- Enclosure: Class 1, Div 1 Groups D, C, D /T6
- Temperature Range: -40°C/F .. 70°C (185°F) Internal heater standard
- Finish: Anodized white, Stainless
- Stall Protection: By current sense and motion detection
- Feedback: Limit switches
- Life Expectance: 250,000 cycles or equivalent under specified conditions
- Motor: BLDC brushless DC motor
- Voltages: 12/24 VDC
- Positioning precision: +/- 3 deg
- Range Setting: Set according to valve
- Speed setting: Set according to valve
- End of travel detection: By current sense and motion detection
- Power setting: Set according to valve
- Motor control: Internal micro controller
- Mechanical shock: 1 m drop test no damage to function Random SAE J1211, Chassis, Exterior
- Mechanical vibration: Random SAE J1211, Chassis, Exterior
- **Housing:** All housing parts anodized aluminum
- **Bearings:** Oiled for life porous bronze bearings
- **External Fasteners:** Stainless Steel
- **Manual Override:** Mounted Directly on the valve stem
- **Control:** 12/24 VDC TTL
- **Limit Switches:** Switches are triggered at fully closed, and fully open position. (independent I/O)

Pneumatic Rotary Actuators

A3200A Series

Application

These actuators provide the opening and closing of valves in hard to reach or remote areas. Useful on bobtail delivery trucks, transport trailers, and bulk plants, their remote control can safely be piped to almost any location.

Features & Benefits

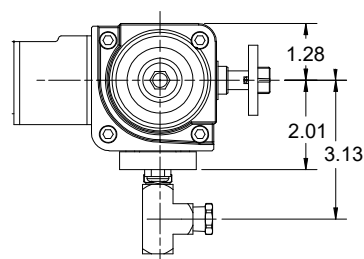
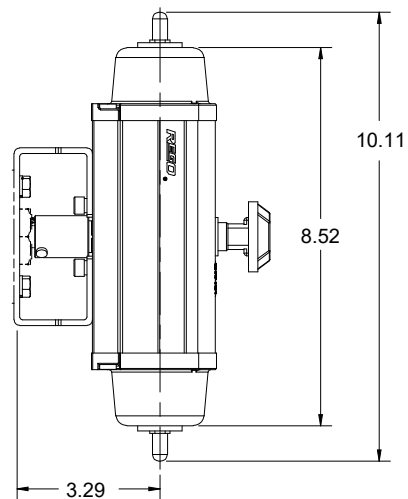
- For use with propane vapor, nitrogen or compressed air
- Compact size with same power and torque for easier placement.
- Low-friction construction with self-lubricated strips prevents the actuator from sticking even after long periods of inactivity
- Double-acting movement powerful in both opening and closing for true automated control.
- Wear items, including pins, slots and bushings made of hardened steel for the utmost durability and longevity.
- Scotch yoke design turns linear motion of piston into rotary motion for valve actuation and eliminates rack and pinion, teeth and gears that are susceptible to stripping, providing a lighter weight, smaller product with longer life.
- Rolled cylinder provides a super smooth surface finish for less wear and longer life.
- Expected service life 1,500,000+ cycles

Materials

Body Aluminum
 Springs Stainless
 Stem Seals Nitrile



A3217LOA



Ordering Information

Part Number	For use with	Recommended Supply Pressure	Actuator Pneumatic Inlet Connection	Outlet Connection
A3209OA	A3209D A3211D	35-120 psi (2.4-8.4 bar)	1/4" NPT	Filtered vent
A3212OA	A3212R			
A3213OA	A3213D			
A3217LOA	A3217AL A3217DAL	50-120 psi (3.4-8.4 bar)		
A3217ROA	A3217AR A3217DAR			

1 1/4" Threaded Internal Valve for Small Capacity Pumping Systems and Bobtail Vapor Equalization A3209D & A3209DT Series

Application

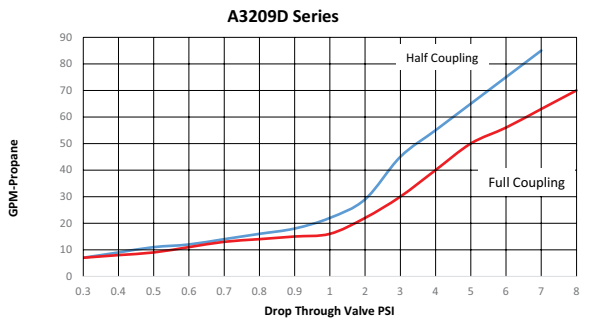
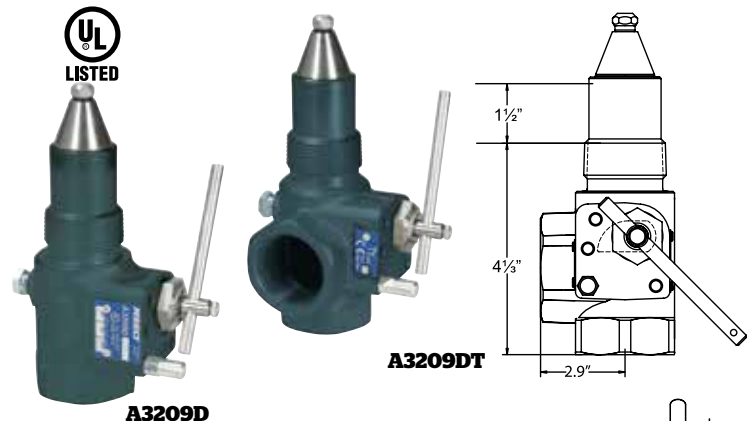
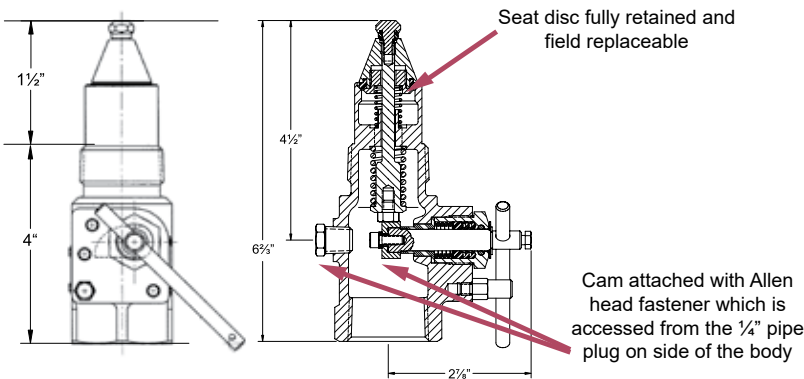
Designed primarily for use with LP-Gas and anhydrous ammonia as a main valve on small capacity pumping systems, NH3 nurse tanks and in-line installations. It may also be installed in the vapor equalizing opening on bobtail delivery trucks. Installation is quick and easy, and it fits in both full and half couplings, as well as, in-line applications. The valve may be actuated manually by hand or cable.

Features

- Valve is compact, with one piece body construction.
- Spring loaded V-packing with heavy duty wiper ring on operating shaft for dependable leak-free construction.
- Nylon bearing supported operating shaft provides smooth, easy operation.
- Simple operating lever allows for easy connection of cable controls.
- Built in excess flow valve
- Return spring forces the valve to the closed position when the lever is released.
- All critical operating components are located in the valve body and inside the container coupling for maximum protection against damage.
- Midway stem position allows for quick pressure equalization.
- Cannot trap liquid between the outlet of the valve and a shutoff valve downstream (no hydrostatic relief valve required; swing check will open and allow backflow at minimal differential pressure).
- Equipped with 212° F, UL listed fuse link for thermal protection.
- Temperature range of -40°F to +165°F (-40°C to +73°C)
- MAWP: 400 PSIG(27 Bar)

Materials

Body Ductile Iron
 Operating Lever..... Cadmium Plated Carbon Steel
 Stem Stainless Steel
 Springs Stainless Steel
 Seat Disc Resilient Synthetic Rubber
 Shaft Bearing..... Nylon



Ordering Information

Part Number	Inlet Connection M. NPT	Outlet Connection F. NPT	Closing Flow		LP-Gas Vapor Capacity**(SCFH/Propane)		Accessories			
			LP-Gas	NH3	25 PSIG	100 PSIG	Thermal Latch	Pneumatic Actuators	Rotary Actuator	Electric Actuators
A3209D050	1 1/4"	1 1/4"	50	45	13,300	22,900	A3209TL	A3209PA A3209PAF	A3209OA	A3209EA A3209EA120
A3209D080	1 1/4"	1 1/4"	80	72	15,700	26,700				
A3209DT050*	1 1/4"	1 1/4"	50	45	13,300	22,900				
A3209DT080*	1 1/4"	1 1/4"	80	72	15,700	26,700				

* T-Body Design

Straight Through 1½” Internal Valve A3211D Series

Application

Designed primarily for use with LP-Gas and anhydrous ammonia as a main valve on pumping systems, and in-line installations. Installation is quick and easy and it fits in both full and half couplings, as well as, in-line applications. The valve may be opened manually by hand or pneumatic actuator.

Features

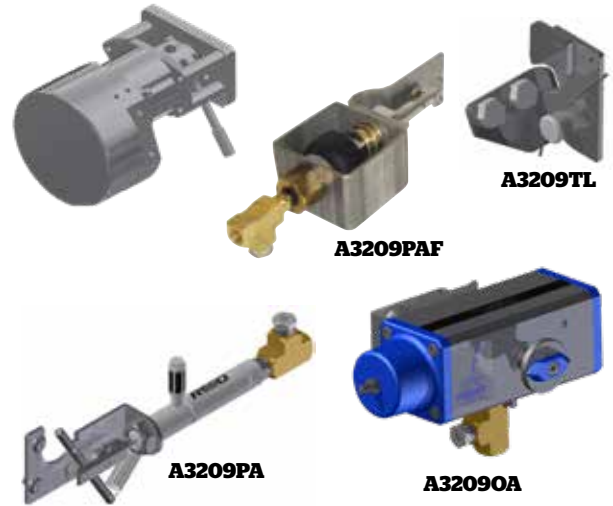
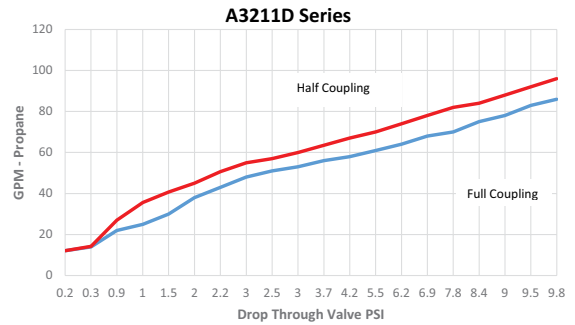
- Valve is compact, with one piece body construction.
- Spring loaded V-packing with heavy duty wiper ring on operating shaft for dependable leak-free construction.
- Nylon bearing supported operating shaft provides smooth, easy operation.
- Simple operating lever allows for easy connection of cable controls.
- Built in excess flow valve
- Return spring forces the valve to the closed position when the lever is released.
- All critical operating components are located in the valve body and inside the container coupling for maximum protection against damage.
- Midway stem position allows for quick pressure equalization.
- Cannot trap liquid between the outlet of the valve and a shutoff valve downstream (no hydrostatic relief valve required; swing check will open and allow backflow at minimal differential pressure).
- Equipped with 212° F, UL listed fuse link for thermal protection.
- Temperature range of -40°F to +165°F (-40°C to +73°C)
- MAWP: 400 PSIG(27 Bar)

Materials

Body Ductile Iron
 Operating Lever..... Cadmium Plated Carbon Steel
 Stem Stainless Steel
 Springs Stainless Steel
 Shaft Bearing..... Nylon
 Seat Disc Synthetic Rubber



A3211D

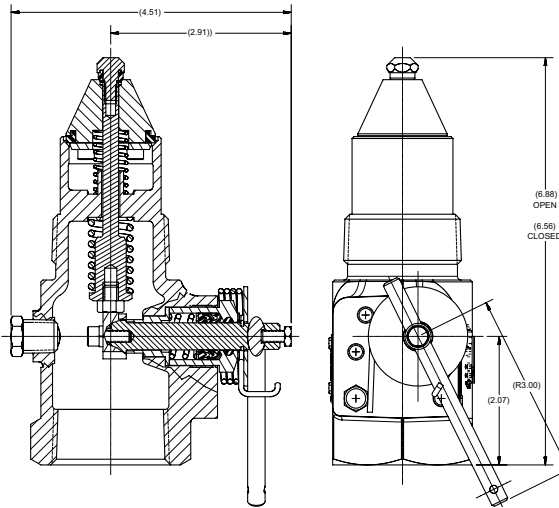


A3209TL

A3209PAF

A3209PA

A3209OA



Pneumatic Actuator Specifications

Part Number	Operating Pressure in PSIG
A3209PAF	50 - 125
A3209OA	35 - 120

Ordering Information

Part Number	Inlet M.NPT	Outlet FNPT	Closing Flow GPM				LP-Gas Vapor Capacity (SCFH/Propane)		Accessories			
			Half Coupling		Full Coupling		25 PSIG Inlet	100 PSIG Inlet	Thermal Latch	Pneumatic Actuator	Rotary Actuator	Electric Actuator
			LP-Gas	NH ₃	LP-Gas	NH ₃						
A3211D080	1½"	1½"	80	72	63	67	15,700	26,700	A3209TL	A3209PAF	A3209OA	A3209EA
A3211D110	M.NPT	F.NPT	110	99	84	76	N/A	N/A				
BA3211D080	1½"	1½"	80	72	63	67	15,700	26,700				
BA3211D110	M.BSPT	F.BSPT	110	99	84	76	N/A	N/A				

3" Flanged Internal Valves for Bobtail Delivery Trucks, Transports and Large Stationary Storage Containers A3217A & A3217DA

Application

Designed primarily for LP-Gas and anhydrous ammonia filling and/or withdrawal on MC331 bobtail delivery trucks, transports and stationary storage tanks with flanged pumps or piping. Installation is quick and easy, and the valve may be operated manually by cable or pneumatically. Lever available on right or left side to allow for installation without the use of an extra pulley.



Features

Provides More Efficient Operation

- Flow passages designed to allow substantially higher without cavitation or loss of efficiency--saving time and money.
- Simple operating lever facilitates easy adaptation of all cable controls.
- Lever available on right or left side to allow for installation without the use of an extra pulley.
- Nylon bearing supported operating shaft provides smooth, easy operation.
- Cannot trap liquid between the outlet of the valve and a shutoff valve downstream (no hydrostatic relief valve required; swing check will open and allow backflow at minimal differential pressure).
- Temperature range of -40°F to +165°F (-40°C to +73°C)
- MAWP: 400 PSIG(27 Bar)

Less Frequent-Easier Maintenance

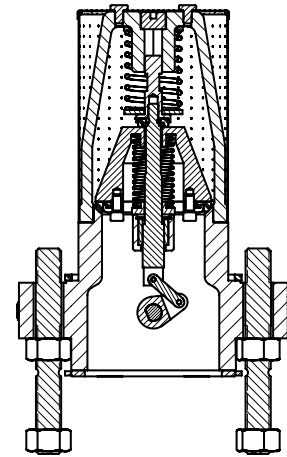
- Stainless steel screws resist rusting and are easily removed during valve disassembly.
- Heavy duty rod wiper helps minimize dirt and foreign material from entering operating shaft and hampering operation.

Durable Construction

- All ferrous materials with a temperature range of -40° F. to +165° F. and a pressure rating of 400 psi.
- Sturdy retaining ring secures operating cam to provide for more durable, slack-free operation.
- Built-in excess flow valve.
- Specify RegO Internal Valves on your next new tank or when your truck is rebuilt.



A3217AR



Pneumatic Actuator Specifications

Part Number	Operating Pressure in PSIG
A3217ALPA	50 - 150
A3217ARPA	
A3217LOA	50 - 120
A3217ROA	

Ordering Information

Part Number	Operating Lever Position	Inlet Connection	Outlet Connection	Closing Flow GPM		Accessories	
				LP-Gas	NH3	Pneumatic Actuator	
						Right Operation	Left Operation
Single Flange							
A3217AR160	A3217AL160	3" 300# ANSI RF Modified Flange*	3" 300# ANSI RF Flange	160	145	A3217ARPA A3217ROA	A3217ALPA A3217LOA
A3217AR210	A3217AL210			210	190		
A3217AR260	A3217AL260			260	236		
A3217AR410	A3217AL410			410	372		
A3217AR510	A3217AL510			510	459		
Double Flange							
A3217DAR160	A3217DAL160	3" 300# ANSI RF Modified Flange*	3" 300# ANSI RF Flange	160	145	A3217ARPA A3217ROA	A3217ALPA A3217LOA
A3217DAR210	A3217DAL210			210	190		
A3217DAR260	A3217DAL260			260	236		
A3217DAR410	A3217DAL410			410	372		
A3217DAR510	A3217DAL510			510	459		

* Valve supplied with 16 nuts and 8 studs for mounting.

**Modified bore=4 1/2" diameter with 5/8" diameter raised face.

3" Flanged Internal Valves for Bobtail Delivery Trucks, Transports, and Large Stationary Storage Tanks

A3217ARPA and A3217ALPA Pneumatic Actuators

These Pneumatic Actuators are designed specifically for use with the A3217 Series 3" Internal Valves. The diaphragm design provides a convenient means of opening and closing the valve from a remote location, using either air or nitrogen.

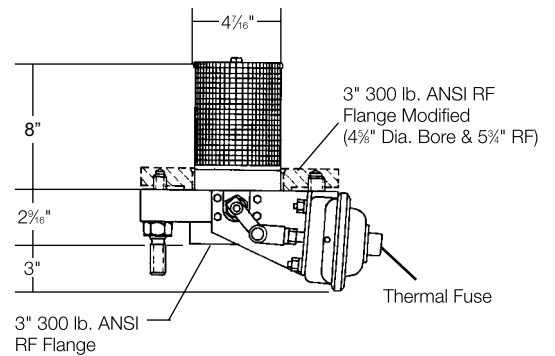
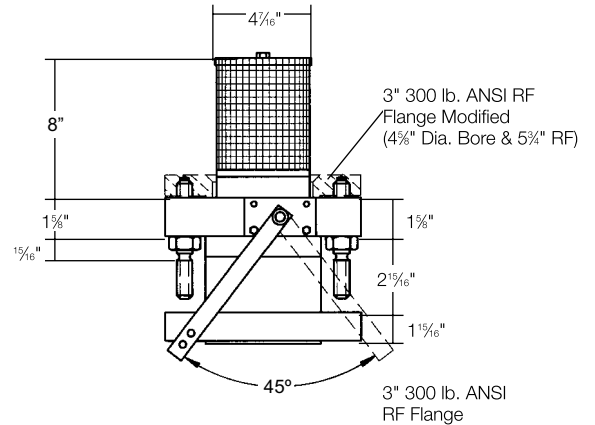


Features

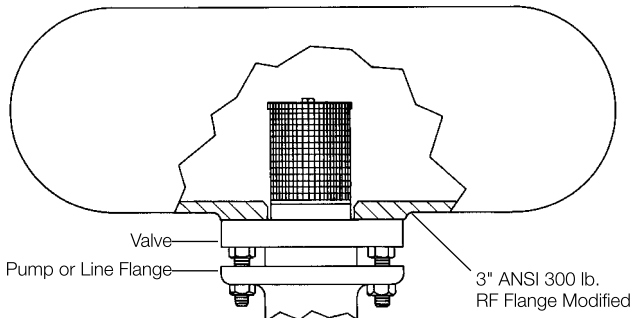
- Diaphragm type—no seals to leak.
- Easily installed on internal valve "in-line."
- Utilizes standard air brake chamber with proven performance over many years of heavy-duty truck/trailer applications.
- Compatible with existing air interlock systems.
- Operates with pressures of 50-150 psig.
- Thermal Fuse installed complies with DOT thermal protection requirements.

Materials

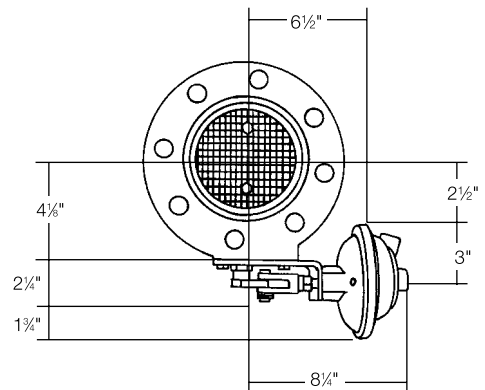
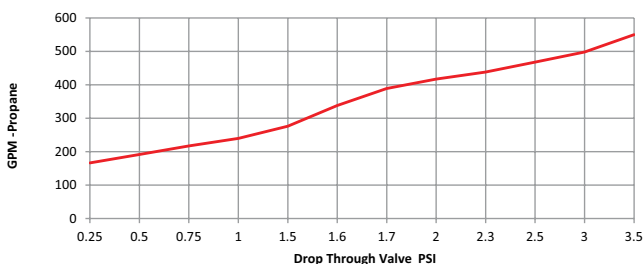
Body and Valve Cage	Cadmium Plated Ductile Iron
Seat	Nickel Chrome Plated Steel
Strainer	Stainless Steel
Shaft	Stainless Steel
Pilot Valve Stem	Stainless Steel
Springs	Stainless Steel
Actuator Cam.....	Stainless Steel
Lever.....	Cadmium Plated Carbon Steel
Seat Disc	Resilient Synthetic Rubber



Typical Valve Installation



A3217A & FA Series



4" Flanged Internal Valve for Transports and Large Stationary Storage Tanks A3219 Series

Application

Designed primarily for LP-Gas and anhydrous ammonia service on MC331 transport pressure vessels and large stationary storage tanks. Installation is quick and easy, and it fits in most existing tank flanges. The valve may be actuated manually or pneumatically.

Use of the A3219RT Remote Thermal Release with this valve is suggested to provide a remote means of mechanical closure along with thermal protection, as required by DOT.

Features

Provides More Efficient Operation

- Flow passages designed to allow higher pumping rates without cavitation or loss of efficiency—saves time and money.
- One piece, stainless steel pilot valve provides more accurate alignment for dependable operation.
- Remote release lever allows cables to run directly to opposite ends of vessel without pulleys or tubing.
- Cannot trap liquid between the outlet of the valve and a shutoff valve downstream (no hydrostatic relief valve required; swing check will open and allow backflow at minimal differential pressure).
- Temperature range of -40°F to +165°F (-40°C to +73°C)
- MAWP: 400 PSIG(27 Bar)

Protects Your Pump

- Main disc retaining screws are installed from the top down to help minimize loose screws from entering and damaging the pump.
- Back-up cotter pin is designed to minimize the chance of a loosened actuator nut and washer from entering and damaging the pump.

Less Frequent-Easier Maintenance

- Easily replaceable chrome plated seat insert eliminates need for expensive remachining of valve body when overhauled.
- Stainless steel screws resist rusting and are easily removed during valve disassembly.
- Strainer completely covers the top of the valve to help keep out sediment and foreign material.
- Strainer seats at the top flange of the valve's seat insert, making removal of the valve easier.

Durable Construction

- Taper pin lock secures the operating shaft to provide for more precise, trouble-free actuation.
- Built-in excess flow valve and thermal protection.
- Specify RegO Internal Valves on your next new tank body or rebuild.

Pneumatic Actuator Specifications

Part Number	Operating Pressure in PSIG
A3219OA	50 - 120
A3219FPA	50 - 150

Ordering Information

Part Number*	Inlet Connection	Outlet Connection	Closing Flow GPM***		Accessories	
			LP-Gas	NH3	Pneumatic Actuator	Remote Thermal Release
A3219FA600L	4" 300# ANSI RF Modified Flange**	4" 300# ANSI RF Flange	600	540	A3219FPA A3219OA	A3219RT (2)

* Valve supplied with 16 nuts and 8 studs for mounting.

** Modified bore = 5 7/8" diameter with 7" diameter raised face.

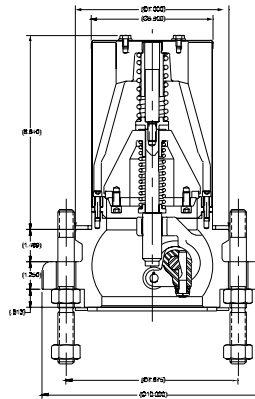
*** Other closing flows available



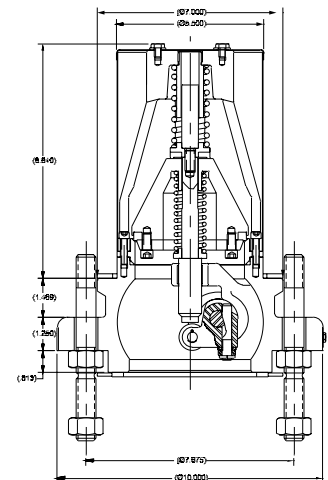
A3219FA



A3219FPA



A3219OA



Materials

Body and Valve Cage	Cadmium Plated Ductile Iron
Handle	Cadmium Plated Ductile Iron
Seat	Nickel Chrome Plated Steel
Strainer	Stainless Steel
Stem	Stainless Steel
Pilot Valve Plug.....	Stainless Steel
Springs	Stainless Steel
Roller Actuator	Cadmium Plated Carbon Steel
Lever Assembly	Cadmium Plated Carbon Steel
Seat Disc	Resilient Synthetic Rubber

4" Flanged Internal Valves for Transports and Large Stationary Storage Tanks

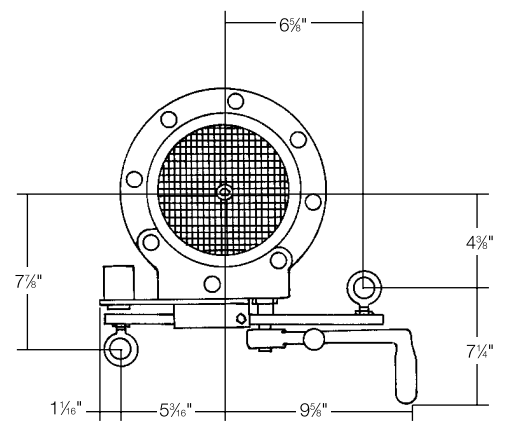
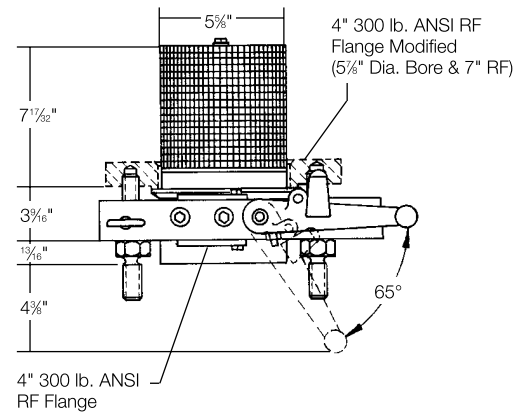
Application

A3219FPA Pneumatic Actuator

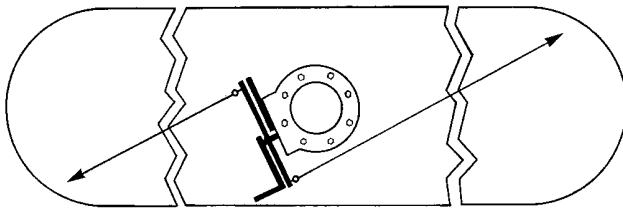
The A3219FPA Pneumatic Actuator is designed especially for use with the A3219FA Series Flanged Internal Valves. The diaphragm type A3219FPA provides a convenient means of opening and closing the valve from a remote location, using either air or nitrogen, on LP-Gas and NH3 transport trailers and stationary tanks.

Features

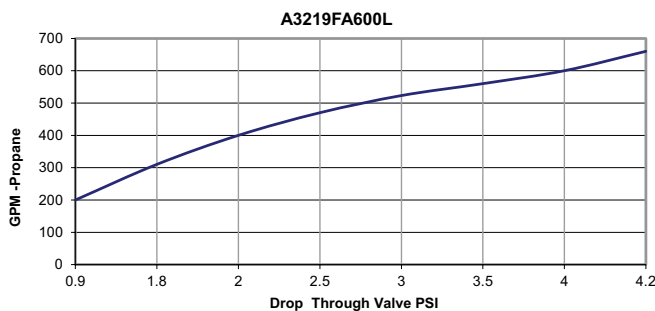
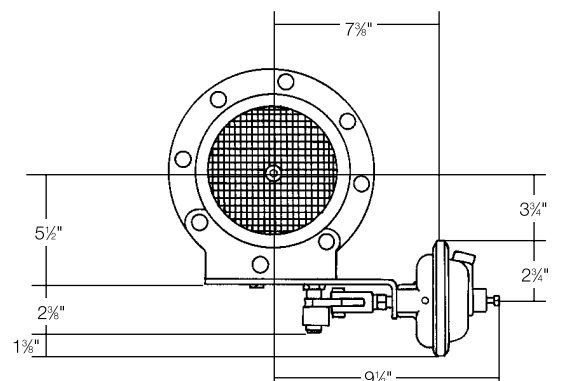
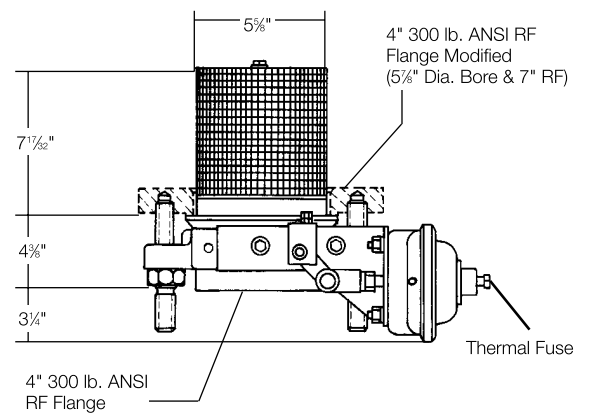
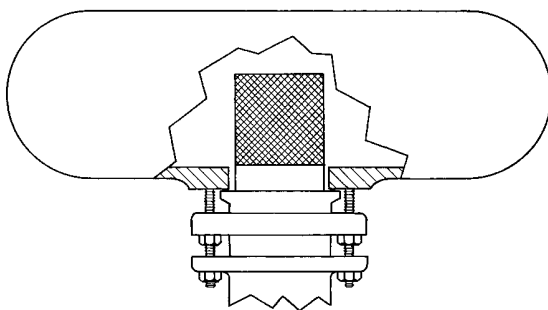
- Diaphragm type—no seals to leak.
- Easily installed on internal valve "in-line."
- Utilizes standard brake actuator with time proven performance in heavy-duty truck/trailer applications.
- Compatible with existing air interlock systems.
- Operate with pressures of 50-150 psig.
- Thermal fuse installed in actuator complies with DOT thermal protection requirements.



Typical Valve Positioning



Typical Valve Installation



Stainless Steel 3" Single Flange Internal Valve SSA3218F

Application

Stainless steel internal valve series for use with LP-Gas or NH3 on Bobtails, Transports, Storage Plants, or Nurse tanks. Can be actuated manually, by remote cable, or by various actuator types (sold separately).



Features & Benefits

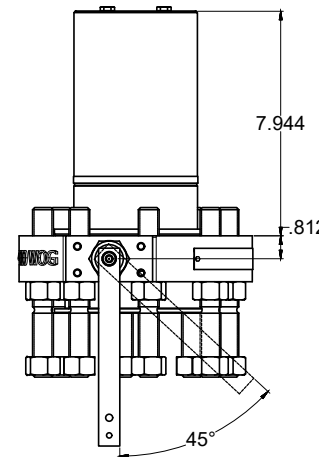
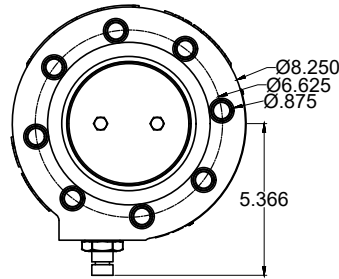
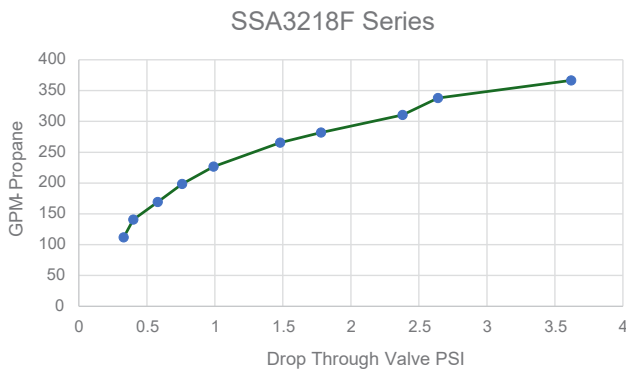
- Roller type opening provides decades of dependable, low maintenance service
- Stainless steel bodies increase service life even in the harshest of conditions; does not require painting but can be if desired
- Packing can be easily serviced as piping does not have to be disconnected to remove and repack stem
- High flow design prevents pump cavitation and efficiency loss, saving time and money
- Built-in excess flow valve and shear studs meet or exceed industry standards to ensure safety
- Temperature range of -40°F to +165°F (-40°C to +73°C)
MAWP: 400 PSIG(27 Bar)

Materials

BodyStainless Steel
 StemStainless Steel
 SeatStainless Steel
 Seat DiscNitrile
 SpringsStainless Steel
 Stem Seals PTFE



SSA3218F



Pneumatic Actuator Specifications

Part Number	Operating Pressure in PSIG
A3218FPA	50 - 150
A3218LOA	50 - 120

Ordering Information

Part Number	Inlet Connection	Outlet Connection	Closing Flow GPM		Accessories	
			LP-Gas	NH3	Pneumatic Actuator	Rotary Actuator
SSA3218F160	3" 300# ANSI RF Modified Flange*	3" 300# ANSI RF Flange	160	145	A3218FPA	A3218LOA A3218FRA
SSA3218F210			210	190		
SSA3218F260			260	236		
SSA3218F410			410	372		
SSA3218F510			510	459		

* Valve supplied with 16 nuts and 8 studs for mounting

Stainless Steel 3" Double Flange Internal Valve SSA3218FD

Application

Stainless steel internal valve series for use with LP-Gas or NH₃ on Bobtails, Transports, Storage Plants, or Nurse tanks. Can be actuated manually, by remote cable, or by various actuator types (sold separately).

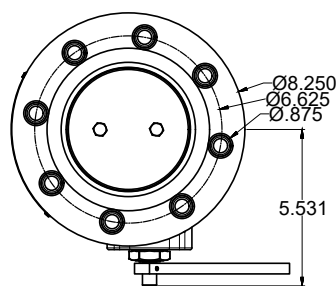


Features & Benefits

- Roller type opening provides decades of dependable, low maintenance service
- Stainless steel bodies increase service life even in the harshest of conditions; does not require painting but can be if desired
- Replacement bonnets available (sold separately)
- High flow design prevents pump cavitation and efficiency loss, saving time and money
- Built-in excess flow valve and shear studs meet or exceed industry standards to ensure safety
- Temperature range of -40°F to +165°F (-40°C to +73°C)
MAWP: 400 PSIG(27 Bar)

Materials

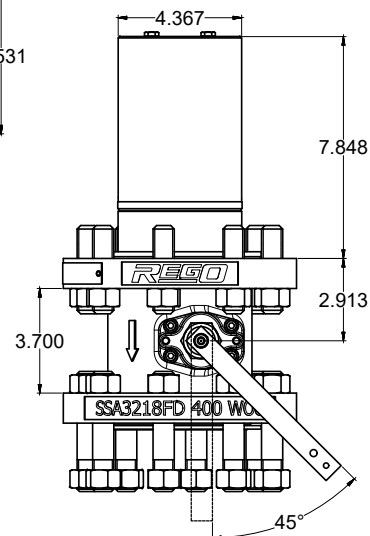
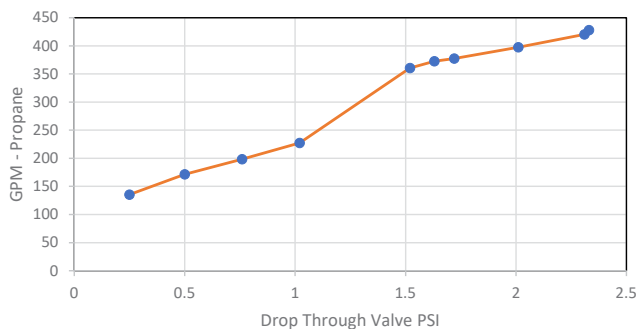
Body	Stainless Steel
Stem	Stainless Steel
Seat	Stainless Steel
Seat Disc	Nitrile
Springs	Stainless Steel
Stem Seals	PTFE



SSA3218FD

G

SSA3218FD Series



Pneumatic Actuator Specifications

Part Number	Operating Pressure in PSIG
A3218ROA	50 - 120
A3218PA	50 - 150

Ordering Information

Part Number	Inlet Connection	Outlet Connection	Closing Flow GPM		Accessories	
			LP-Gas	NH ₃	Pneumatic Actuator	Rotary Actuator
SSA3218FD160	3" 300# ANSI RF Modified Flange*	3" 300# ANSI RF Flange	160	145	A3218PA	A3218ROA
SSA3218FD210			210	190		
SSA3218FD260			260	236		
SSA3218FD410			410	372		
SSA3218FD510			510	459		

* Valve supplied with 16 nuts and 8 studs for mounting.
**Modified bore=4%" diameter with 5%" diameter raised face.

Remote Thermal Release for DOT MC331 Pressure Vessel A3219RT

Application

Designed especially for use with Internal Valves installed in DOT MC331 pressure vessels. The A3219RT provides a remote means of mechanical closure along with thermal protection, as required by DOT MC331.

The A3219RT is connected by cable to the internal valve(s) on the vessel. In the event of extreme heat (over 212° F.), the fuse link will melt, causing the spring to contract and pull the cable. When properly installed the cable will trip the internal valve release lever(s) allowing the connected handle(s) to move to the closed position.

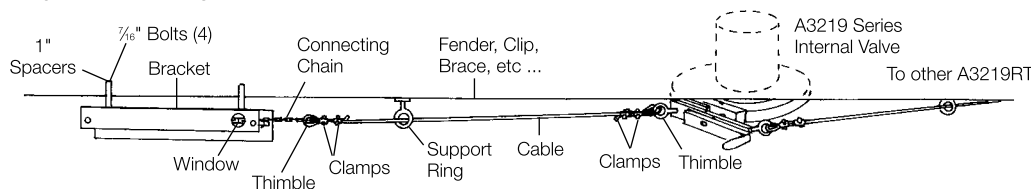
Materials

Body Galvanized Steel
Springs Stainless Steel

Ordering Information

Part Number	For Use With	Release Temperature	Spring Load		Minimum Number Required By MC331
			Fully Extended	After 4" Travel	
A3219RT	Internal Valves	212° F.	≈100 lbs.	≈50 lbs.	2

Typical Mounting Side View



A3219RT

Features

- Meets DOT MC331 requirements.
- Easily installed, rugged formed steel bracket has open bottom to minimize dirt and water build-up.
- Heavy, shouldered pins lock into position.
- Stainless steel spring provides dependable performance with 100 lb. load.
- Heavy-duty chain adapts easily to standard cable and fittings.
- Fuse link has 212° F. release temperature.
- Adapts easily to standard cables and fittings.



Remote Cable Controls for Internal Valves 3200C and 3200L

Application

The 3200C Remote Cable Kit is designed especially for use with the 3200L Remote Operating Lever to operate internal valves from a remote location.

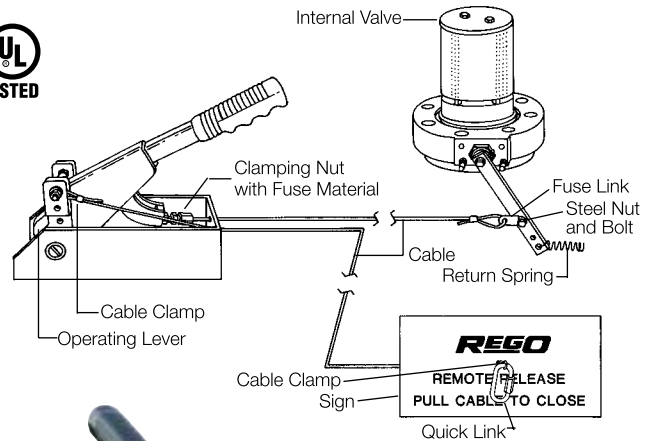
The internal valve is opened by pulling back the remote operation lever and closed by returning the lever to its original position. A remote release is provided to close the internal valve from a different remote location.

Features

- Metal construction provides durability in heavy duty applications.
- Toggle action of operating lever allows for quick closure without extra springs and latches.
- The unique clamping nut and cable clamps provide easy installation.
- Fuse connections allow internal valves to close if connections are exposed to fire.
- Versatile design permits installation on bobtails and stationary tanks at bulk plants.
- Provides necessary remote closure system for bobtails required by DOT regulation on MC330/MC331 tanks and NFPA #58.

Ordering Information

Part Number	Description	Contents
3200C	Remote Cable Kit	100 Foot Cable, 6 Cable Clamps, Quick Link, Sign, Fuse Link, Steel Nut and Bolt
3200L	Operating Lever	Lever Assembly



3200L



Materials

Body Galvanized Steel
Springs Stainless Steel

Threaded Internal Valves For Bobtail Delivery Trucks, Transports and Stationary Storage Tanks A3213D Series

Application

Designed primarily for use with LP-Gas and anhydrous ammonia for liquid withdrawal; vapor transfer or vapor equalization of bobtail delivery trucks, transports, stationary storage tanks, and in-line installations. The valve may be operated manually by cable or pneumatically.

Features

- May be installed in full and half couplings.
- Nylon bearing supported operating shaft provides smooth, easy operation.
- Simple operating lever facilitates easy adaptation of all cable controls.
- Midway stem position allows for quicker pressure equalization.
- Cannot trap liquid between the outlet of the valve and a shutoff valve downstream (no hydrostatic relief valve required; swing check will open and allow backflow at minimal differential pressure).
- All critical operating components are located in the valve body inside the container coupling for maximum protection against physical damage.
- Built-in excess flow valve.
- Return spring returns the valve to the closed position when the handle is released.
- Specify RegO Internal Valves on your next new tank body or when your tank is rebuilt.
- A3213PA pneumatic actuator provides a convenient means of opening and closing the valve from a remote location, using either air or nitrogen for A3213D service valves.
- Temperature range of -40°F to +165°F (-40°C to +73°C)
- MAWP: 400 PSIG(27 Bar)

Materials

Body Ductile Iron
 Operating Lever..... Cadmium Plated Steel
 Stem Stainless Steel
 Springs Stainless Steel
 Seat Disc..... Resilient Synthetic Rubber
 Shaft Bearing..... Nylon

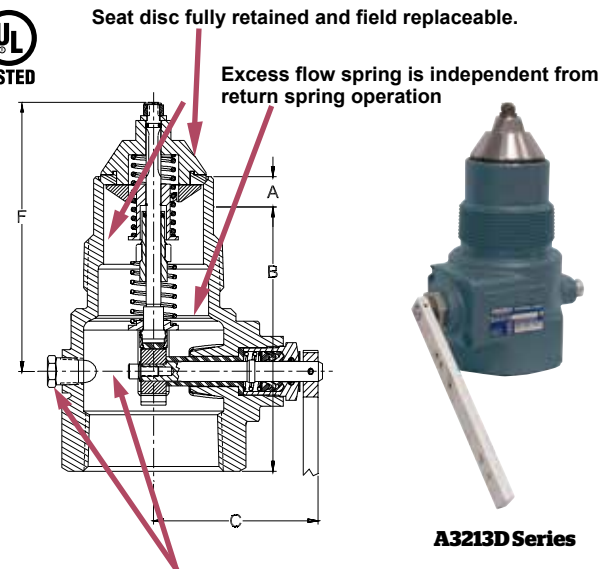
Pneumatic Actuator Specifications

Part Number	Operating Pressure in PSIG
A3213PA	35 - 100
A3213OA	35 -120

Ordering Information

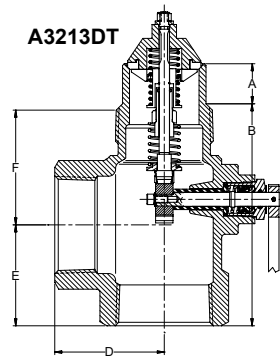
Part Number	Inlet Connection M.NPT	Outlet Connections F.NPT	Closing Flow Half Coupling (GPM)		Closing Flow Full Coupling (GPM)		Vapor Closing Flow (SCFH)		Accessories			
			LPG	NH3	LPG	NH3	25 PSIG Inlet	100 PSIG Inlet	Pneumatic Actuator	Rotary Actuator	Electric Actuator	Thermal Latch
A3213D150	3"	3"	150	135	125	113	26,900	45,900	A3213PA	A3213OA	A3213EA	A3213TL
A3213D200			200	180	160	144	32,300	55,100				
A3213D300			300	270	250	225	50,500	86,500				
A3213D400			400	360	325	293	71,400	121,300				
A3213DT150*			150	135	125	113	26,900	45,900				
A3213DT200*			200	180	160	144	32,300	55,100				
A3213DT300*			300	250	250	225	50,500	86,500				
A3213DT400*			400	325	325	293	71,400	121,300				

* T-body design



A3213D Series

A3213DT



A3213OA

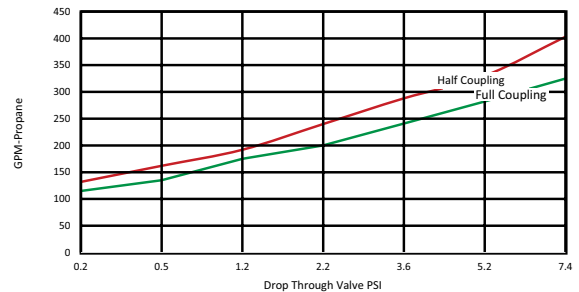


A3213PA



A3213TL

A3213D Series



Threaded Internal Valves For Bobtail Delivery Trucks, Transports and Stationary Storage Tanks A3212 Series

Application

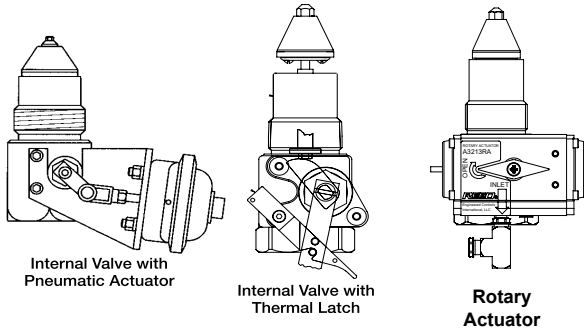
Designed primarily for use with LP-Gas and anhydrous ammonia for liquid withdrawal; vapor transfer or vapor equalization of bobtail delivery trucks, transports, stationary storage tanks, and in-line installations. The valve may be operated manually by cable or pneumatically.

Features

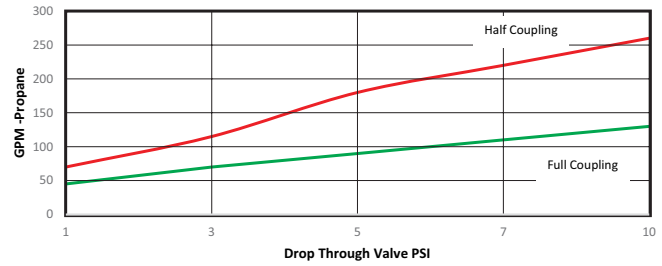
- May be installed in full and half couplings.
- Nylon bearing supported operating shaft provides smooth, easy operation.
- Simple operating lever facilitates easy adaptation of all cable controls.
- Midway stem position allows for quicker pressure equalization.
- Cannot trap liquid between the outlet of the valve and a shutoff valve downstream (no hydrostatic relief valve required; swing check will open and allow backflow at minimal differential pressure).
- All critical operating components are located in the valve body inside the container coupling for maximum protection against physical damage.
- Built-in excess flow valve.
- Return spring returns the valve to the closed position when the handle is released.
- Specify RegO Internal Valves on your next new tank body or when your tank is rebuilt.
- A3213PA pneumatic actuator provides a convenient means of opening and closing the valve from a remote location, using either air or nitrogen for both the A3212R & A3213A service valves.
- Temperature range of -40°F to +165°F (-40°C to +73°C)
- MAWP: 400 PSIG(27 Bar)

Materials

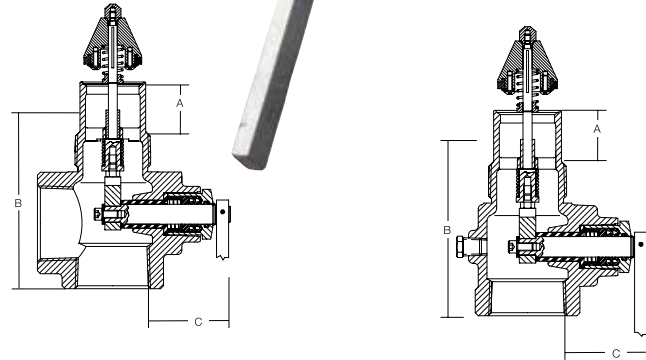
Body Ductile Iron
 Operating Lever..... Cadmium Plated Steel
 Stem Stainless Steel
 Springs Stainless Steel
 Seat Disc..... Resilient Synthetic Rubber
 Shaft Bearing..... Nylon



A3212R Series



A3212R Series



Pneumatic Actuator Specifications

Part Number	Operating Pressure in PSIG
A3213PA	35 - 100
A3212OA	35 - 120

Ordering Information

Part Number	Inlet Connection	Outlet Connection	Closing Flow (GPM) Half Coupling		Closing Flow (GPM) Full Coupling		A	B	C	Accessories			
			LP-Gas	NH3	LP-Gas	NH3				Thermal Latch	Pneumatic Actuator	Rotary Actuator	Electric Actuator
A3212R105	2" M. NPT	2" F. NPT	105	95	65	59	1 9/16"	4 11/16"	3 45/64"	A3213TL	A3213PA	A3212OA	A3212EA
A3212RT105		2" T-body F. NPT											
A3212R175		2" F. NPT	175	158	100	90							
A3212RT175		2" T-body F. NPT											
A3212R250		2" F. NPT	250	225	130	117							
A3212RT250		2" T-body F. NPT											
BA3212R105	2" M. BSPT	2" F. BSPT	105	95	65	59	4 11/16"						
BA3212R175		2" F. BSPT	175	158	100	90							
BA3212R250		2" F. BSPT	250	225	130	117							

Flomatic® Internal Valves for Bobtail Delivery Trucks, Transports and Large Stationary Storage Tanks A7883FK

Application

Designed primarily for LP-Gas and anhydrous ammonia liquid withdrawal on MC331 bobtail delivery trucks, transports and large stationary storage containers with flanged connections. The valve is fully automatic, opening and closing as the pump is turned on or off.



A7883FK

Features

Fully Automatic

- Operates on pressure differential from the pump to open and close.
- Automatically closes should downstream line rupture causing loss of pump differential pressure required to keep the valve open.
- Problems of improperly sized excess flow valves slugging shut during liquid transfer are eliminated.

Faster Unloading

- Straight through flow design provides minimum pressure drop and large flow capacity to the pump, resulting in higher flow rates and greater pump efficiency.
- Unloading is quicker and turn-around faster to provide more profitable operation.

Greater Protection

- Fully automatic operation virtually eliminates operator errors such as forgetting to close the valve after product transfer.
- Fully internal design reduces possibility of spillage that may result from a collision.
- Built-in visual indicator lets the operator know whether the valve seat is in the open or closed position.
- Never a cable problem. These valves cannot be held open by wire or any other means as the valve will not close as expected when the pump is shut-off.

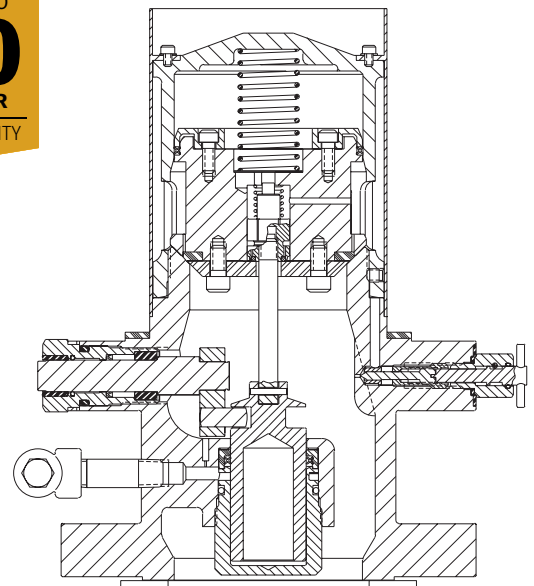
Less Maintenance

- Easily replaceable, high efficiency external filter removes contaminants as small as 20 microns. Filter virtually eliminates orifice clogging, excessive internal filter maintenance and service downtime.
- No need to check or replace air lines, cables or cable connections.

Economical

- Completely equipped with mounting bolts, flange gaskets, quick acting valve and filter - all in one purchase price.
- No need to purchase additional mounting equipment or actuating accessories.
- Specify RegO Internal Valves on your next new tank body or when your tank is rebuilt.

- Temperature range of -40°F to +165°F (-40°C to +73°C)
- MAWP: 400 PSIG(27 Bar)



Materials

Body	Cast Steel
Valve Stem	Stainless Steel
Operating Stem	Stainless Steel
Piston.....	Aluminum
Cylinder	Stainless Steel
Screen	Stainless Steel
Seats	Resilient Synthetic Rubber

Pneumatic Actuator Specifications (Sold Separately)

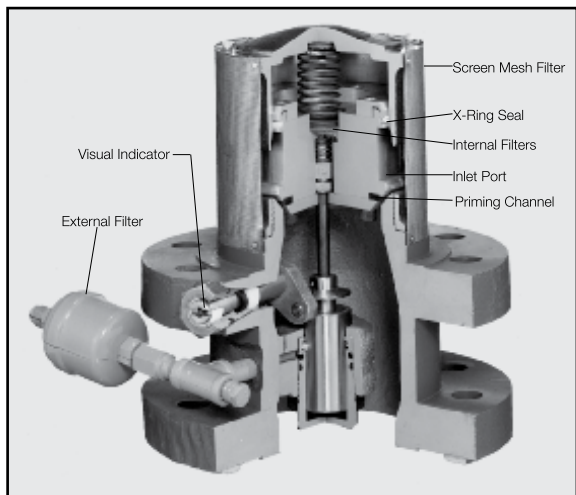
Part Number	Operating Pressure in PSIG
A7853PA	50 - 150
A7853PAF	50 - 125

Ordering Information

Part Number	Inlet Connection ANSI Flange	Outlet Connection ANSI Flange	Strainer Width	Base Width	Overall Height (Approx.)	Height from Indicator to Base	Accessories (included with Flomatic®)	
							Filter	3-Way Valve
A7883FK*	3"-300#**	3"-300#	4 3/4"	8 1/4"	10 7/8"	4 13/16"	A7884-201	A7853A

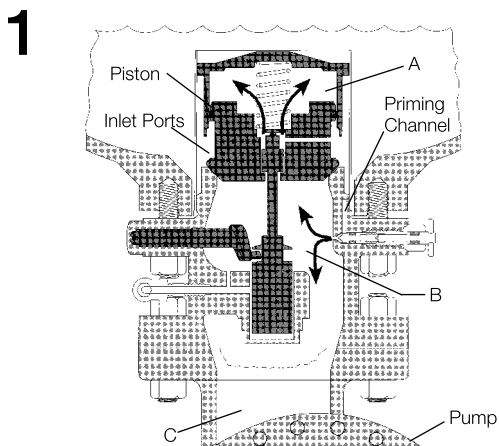
*Supplied with A7853A 3-way valve, A7884-201 filter, studs, nuts and gaskets.
 **With 4 1/8" diameter bore.

Flomatic® Internal Valve Operation



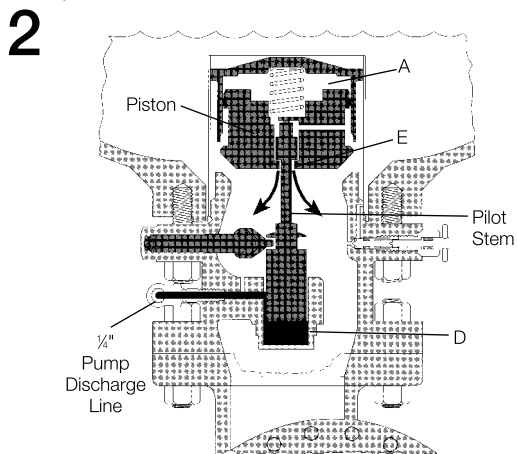
1. Normally Closed

When the valve is closed, liquid flows into the INLET PORTS, through a channel in the PISTON, and into area A. It also flows down through the PRIMING CHANNEL in the valve body, into area B beneath the valve seat, and into area C to prime the PUMP.



2. Pump On – Valve Opening

When the pump is started, differential pressure transmits through the 1/4" piping into chamber D. lifting the the PILOT STEM. This opens the seat between the stem and piston at E. Pump suction then evacuates the tank pressure in area A, which becomes equal to the pump suction pressure.



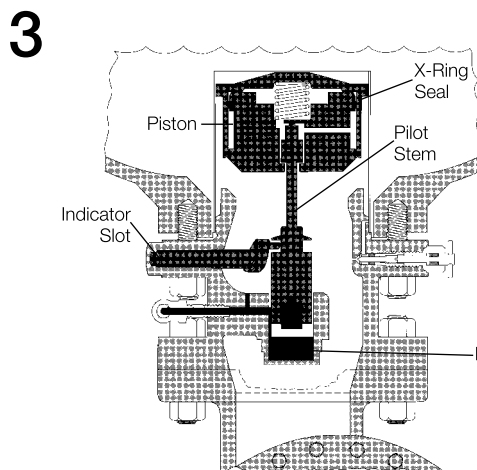
General Information

RegO piston type Flomatic Internal Valves are normally closed and use pressure differential to provide completely automatic service. Mounted directly between the tank body and pump, the Flomatic® uses the pressure differential developed by the pump to open the valve and it closes automatically when the differential no longer exists.

This means the RegO Flomatic opens when the pump is on and closes when the pump is shut off – fully automatic.

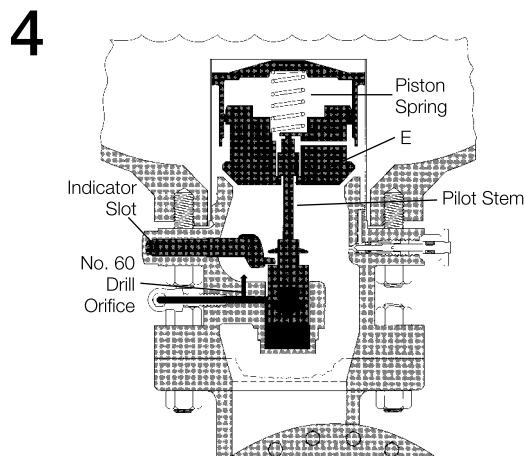
3. Pump On – Valve Open

The force below the pilot stem forces the piston up to open the valve; rotating the INDICATOR SLOT to its vertical (valve open) position. Pump differential pressure in area D holds the PILOT STEM and PISTON open. Approximately 20 psig pump differential pressure is required to open the valve; approximately 8 psig differential pressure will hold the valve open.



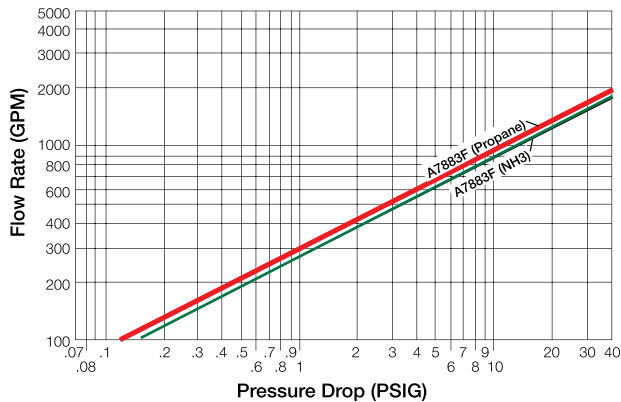
4. Pump Off – Valve Closes

With the pump shut off, the pressure in area D which holds the valve open, bleeds out through the #60 DRILL ORIFICE. This loss of pressure permits the SPRING to push the PILOT STEM down to reseat at point E. Since pressures are equal above and below the PISTON, with no sustaining pressure in area D, the SPRING forces the valve closed. The INDICATOR SLOT rotates to the horizontal (valve closed) position.



1/4" Three-Way Quick-Acting Valve A7853A

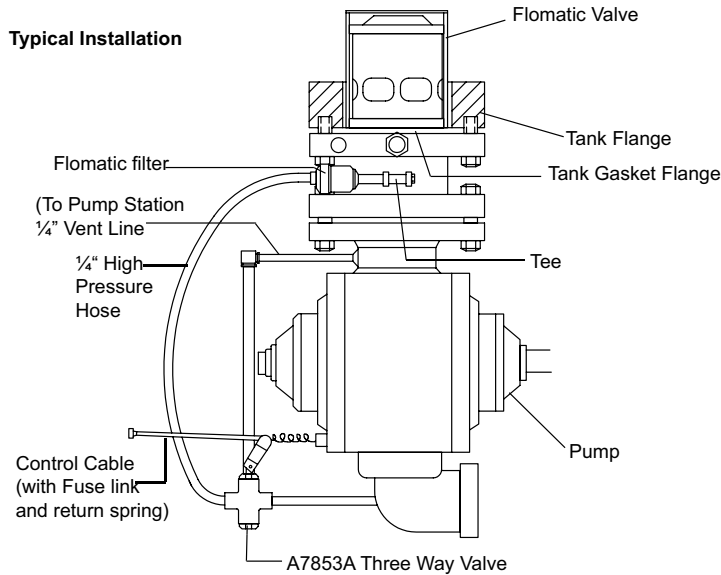
Flow Characteristics



A7853A 1/4" Three-Way Quick-Acting Valve

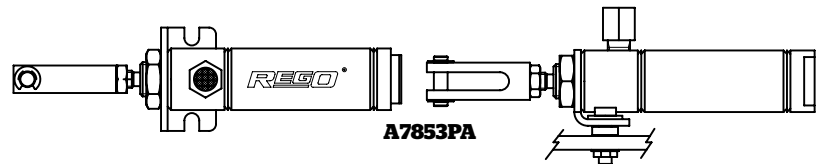
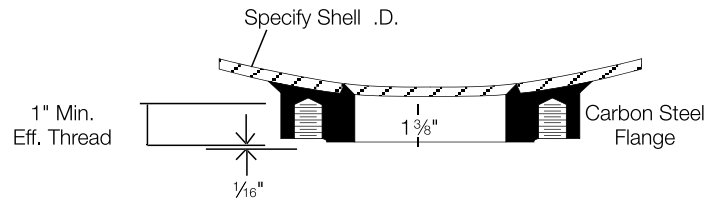
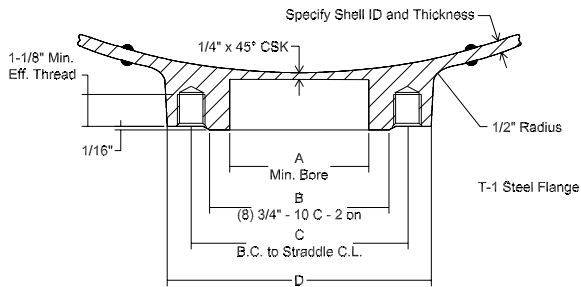


Typical Installation



A7853PAF

Flange Dimensions



A7853PA

Features

- Temperature range of -40°F to +165°F (-40°C to +73°C)
- MAWP: 400 PSIG(27 Bar)

Pneumatic Actuator Specifications (Sold Separately)

Part Number	Operating Pressure in PSIG
A7853PA	50 - 150
A7853PAF	50 - 125

Ordering Information

Part Number	Flange Type	A	B	C	D	Accessories		
						Pneumatic Actuator	Electric Actuator	3-Way Valve
A7853A*	T-1 Steel Carbon Steel	4 13/16"	5 3/4"	6 3/8"	8 1/4"	A7853PAF	A7853EA	A7853PA

*Supplied with A7853A 3-way valve, A7884-201 filter, studs, nuts and gaskets.
**With 4 1/8" diameter bore.

On-The-Job Service Guide for the Flomatic® Valve

Introduction

Efficient, profitable transport and delivery truck operations depend on keeping the equipment working safely and efficiently under changing conditions. It is important to know how to eliminate expensive delays by handling unloading problems as they arise.

The purpose of this technical guide is to provide basic information on the Flomatic® valve, along with simple, appropriate steps to follow in the event things go wrong.

The Flomatic® valve is mounted on the bottom of your transport or delivery truck tank, with the pump mounted immediately downstream. When the pump starts to push the liquid down the piping, the Flomatic® Valve opens automatically, allowing you to unload the tank, and closes when the pump stops pushing. It takes at least 20 pounds per square inch of "push" at the pump to open the valve.

Your flanged Flomatic® valve has an indicating shaft on it that shows whether it's open or closed (Figure 1). If the indicating shaft is horizontal, the valve is closed. If it's vertical, the valve is open.

A threaded type, diaphragm-operated Flomatic® valve has an indicating shaft on the bottom, covered by a clear plastic hood. The indicating shaft projects down when the valve is closed and is concealed when the valve is open (Figure 2).

Important Facts About Pressure

When handling propane or anhydrous ammonia, storage and transport tank pressures vary from about 20 pounds per square inch or less when it's cold to 200 pounds per square inch or more in hot weather (Figure 3). If you're hauling butane, tank pressures will be 50 pounds per square inch or less.

The transport or delivery truck tank pressure may be higher than the storage tank pressure when you are ready to unload (Figure 4). This is because your rig may have been freshly loaded at the terminal or bulk plant without a vapor equalizing line and hasn't had time to get back to normal. Also, the storage tank pressure tends to drop when a lot of LP-Gas is being used.

Troubleshooting on the Job

O.K. So you follow your procedures, hook up your hoses, open the required valves and start your pump. The indicating shaft on the Flomatic® valve moves to the open position and the liquid goes in to storage. Great! You're happy and so is the boss, and so are we.

But, let's say you do these things, start the pump and the liquid doesn't move. Now, how do you find out what is wrong?

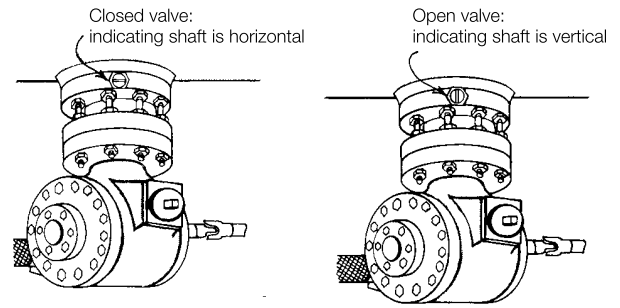


Figure 1. Flanged Flomatic Valve

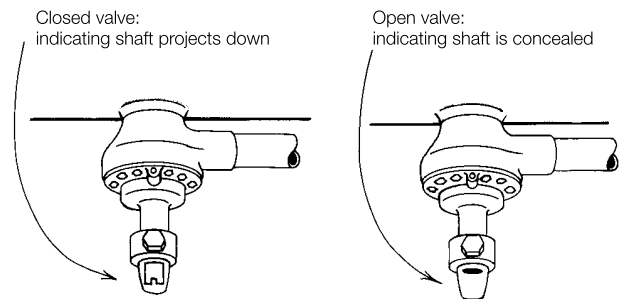


Figure 2. Threaded, Diaphragm-operated Flomatic Valve

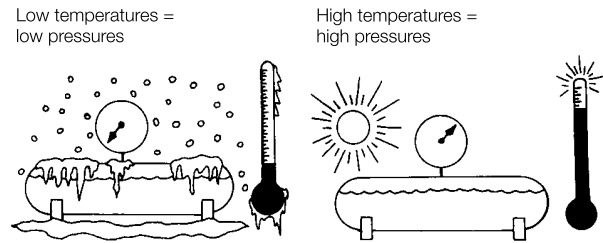


Figure 3. Weather Conditions Affect Pressure

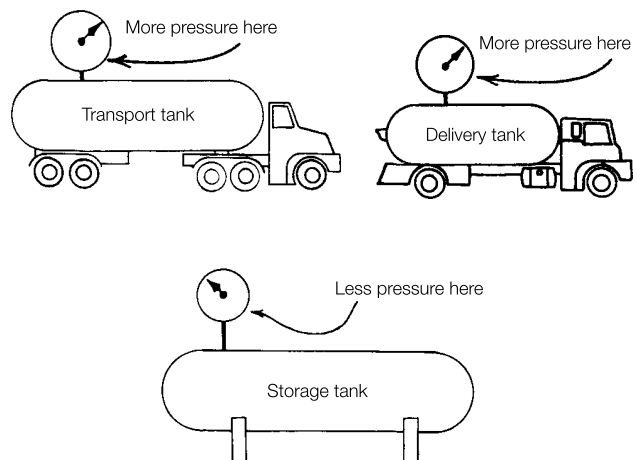


Figure 4. Unloading Conditions Affect Pressure

On-The-Job Service Guide for the Flomatic® Valve

Step 1

Immediately shut down the pump so you don't cause possible damage to the seals or valves. Next:

1. Check all manual valves in the system to make certain they are open or closed as required for proper operation.
2. Check the liquid level in the transport or delivery tank. If the level is low, it may slow the transfer rate.
3. Check to ensure that the pump rotates normally when power is applied. If not, inspect and repair as needed the power takeoff, universal joints, drive shaft and clutch, etc.
4. Make sure the lever is straight out on the ¼" operating valve in the line between the pump discharge line and the Flomatic® valve (Figure 5). If it isn't, the Flomatic® valve will remain closed.
5. Make certain the priming valve on the side of the Flomatic® valve is open (Figure 6).

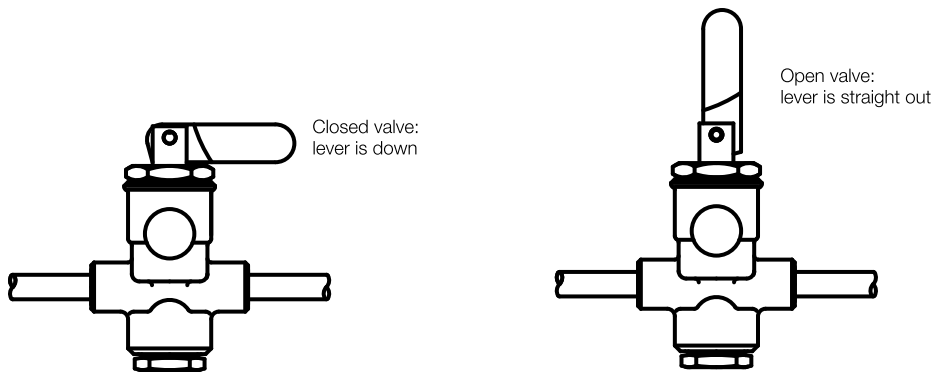


Figure 5. Operating Lever Positions

6. Ice in the system may prevent proper operation, as will a collapsed or kinked sensing line or a clogged sensing line filter. If you found the trouble within STEP 1, just start the pump and continue unloading. If not, proceed accordingly.

- a. New Models with T-handle: To adjust to the proper position, push in the end of the valve stem and tighten the needle valve clockwise until it seats. Then, turn counterclockwise 1½ turns.
- b. Old Models with Plug: To adjust to the proper position, carefully remove the plug. A small amount of liquid LP-Gas may be discharged when plug is loosened. Insert a small screwdriver and tighten the needle valve clockwise until it seats. Then turn it counterclockwise 1 turn only. **CAUTION: Do not open needle valve more than 1 turn as it might blow out!**
- c. Threaded Models with Internal Priming Channel. The internal priming channel normally self-actuates. To be sure the system is primed, remove the plastic hood and push the travel indicator up about ¼" and hold for at least 15 seconds.

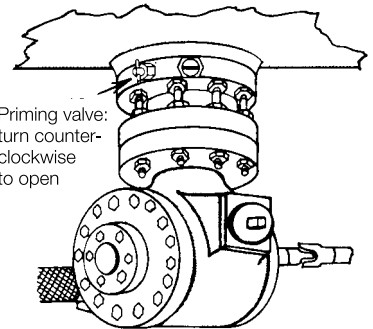


Figure 6. Priming Procedures

Step 2

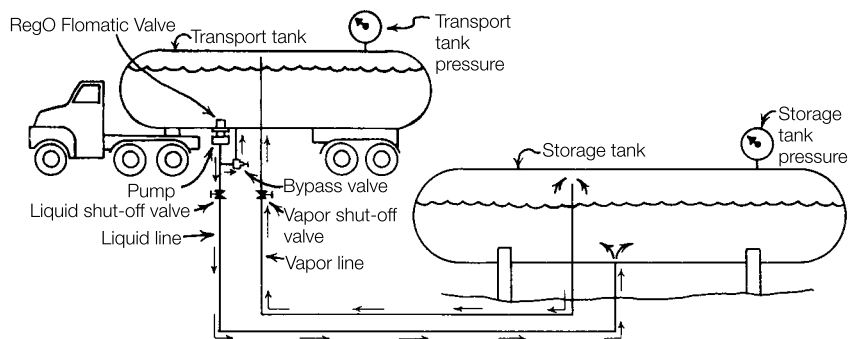


Figure 7a. Unloading Diagram of Transport Trailer Truck

The liquid flows out of the transport tank through the Flomatic® valve, into the pump and through the delivery hose to the storage tank. The vapor line allows vapor to flow from storage back to the transport so that the storage tank pressure won't build up too much and make the pump work harder than necessary.

For Transport Trailer Trucks Only (Figure 7a)

1. Check the difference between the pressure in your transport and the storage tank. If there's 15 or 20 pounds per square inch more pressure in the transport tank than in the storage tank, chances are the Flomatic® valve won't open. This is because the pump can't develop enough "push."

If you have a good bypass valve on your rig to send the extra liquid back into the tank, you can merely close the liquid shut-off valve in the discharge line and restart your pump (Figure 8a). Now, the Flomatic® indicating shaft should move to the open position (see Figures 1 and 2).

2. Slowly open the liquid shut-off valve in the discharge line and the liquid will start to move out of the transport. If the Flomatic® valve indicating shaft starts to move toward the closed position once you've opened this liquid shut-off valve all the way, throttle the valve for a while until the transport tank pressure drops to where the Flomatic® valve indicating shaft will stay open. Then, open the liquid shut-off valve all the way until you finish unloading.

3. If your pump system doesn't have a bypass valve, the liquid shut-off valve in the discharge line should be left partially open when you restart the pump. Just be sure that the pump is pushing at least 20 pounds per square inch, so the Flomatic® valve can open.

Don't worry about how much it may slow up your loading speed when you pinch down the liquid shut-off valve to get the Flomatic® valve open. Your pump is running at constant RPM and will move liquid at almost the same rate, even when pushing harder. (It's a lot like using engine braking on a downhill grade, except, in this case, the pump keeps the liquid moving at a constant flow rate.)

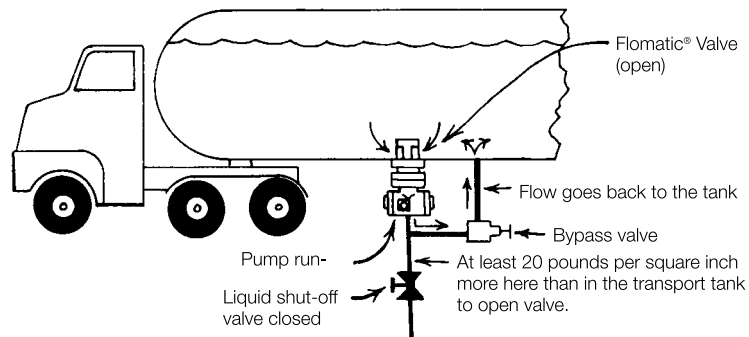


Figure 8a. Unloading Diagram of Transport Trailer Truck with Back-to-tank Bypass Valve
You must have a separate back-to-tank bypass valve if the pump is to be run with the liquid shut-off valve closed.

For Delivery Trucks Only (Figure 7b)

1. Check the pump bypass piping. If your truck is equipped with a manual bypass valve, close it and try the pump again. (Figure 8b). If the Flomatic® valve indicating shaft moves to the open position, the problem is that the pump can't develop 20 pounds per square inch or more to "push" open the Flomatic® valve with the bypass valve open. You can prevent this in the future by not opening the manual bypass valve too wide.

2. If the delivery truck is not equipped with a manual bypass valve, merely start the pump. Slowly close the shut-off valve between the back-to-tank bypass valve and tank. If the Flomatic® valve indicating shaft moves to the open position as you close the valve, the back-to-tank bypass valve may be stuck open, adjusted too low, or the spring may be broken. **CAUTION: Don't close the shut-off valve all the way, because excessive pressures and pump damage may occur.**

3. If the Flomatic® valve indicating shaft remains in the closed position, the problem is either in the pump or the Flomatic® valve.

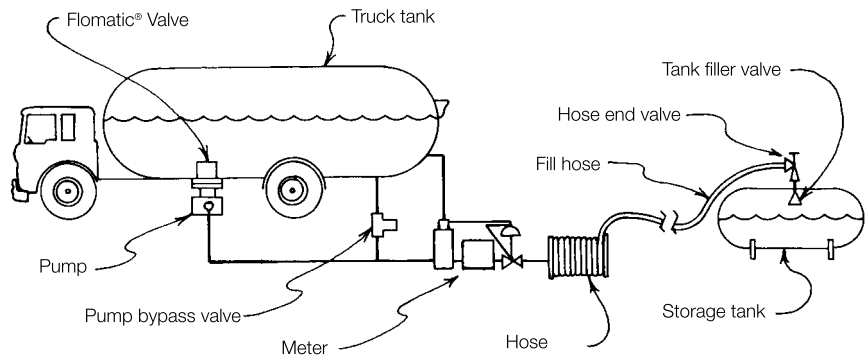


Figure 7b. Unloading Diagram of Delivery Truck

The liquid flows out of the truck tank, through the Flomatic® valve and into the pump, where it is then pushed through the meter and delivery hose into the storage tank. The liquid normally enters the vapor space of the storage tank to minimize pressure buildup, so a vapor equalizing line is usually not needed. The back-to-tank bypass valve opens to divert excess pump capacity back to the truck tank, preventing the pump from creating too much pressure.

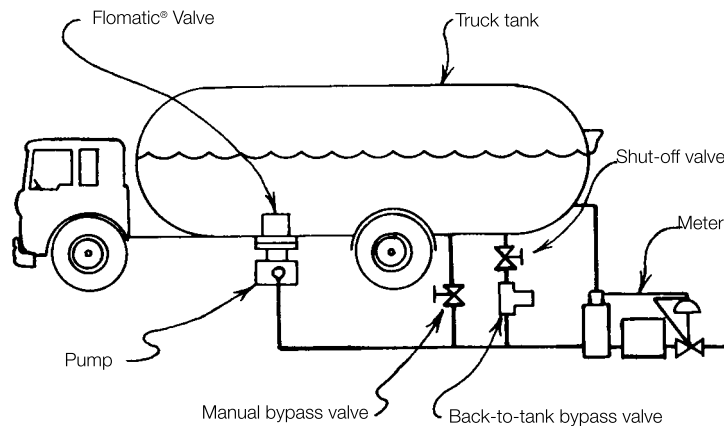


Figure 8b. Unloading Diagram of Delivery Truck with Manual Bypass Valve

USE EXTREME CARE AT ALL TIMES WHEN WORKING AROUND YOUR VEHICLE!
Watch out for drive shafts and moving parts. It is common knowledge that serious injury can result if any part of one's body or clothing is caught in moving machinery.

If you manually open the Flomatic® valve, you are responsible for safely unloading the liquid and closing the valve when you're through. If this procedure is being followed, under no circumstances must the valve be left unattended. The valve must never be permanently held in the open position.

If you are not able to cause the Flomatic® valve indicating shaft to move to the open position after completing the preceding steps, a complete detailed diagnosis will have to be made.

In the meantime, you can actuate the flanged Flomatic® valve by using a special wrench and attempt to unload manually (Figure 9).

If you still can't unload by following the preceding steps, it is suggested that you unload by an alternate method, such as through the valve normally used for liquid filling.

In any event, if you haven't solved the problem and the unit still doesn't operate properly, immediately take it out of service, have a complete analysis made and repair as needed.

Be sure to obtain and keep available for quick referral the Manufacturers' Operation and Service Manuals for the valves, pump, meter and all operating equipment in the system.

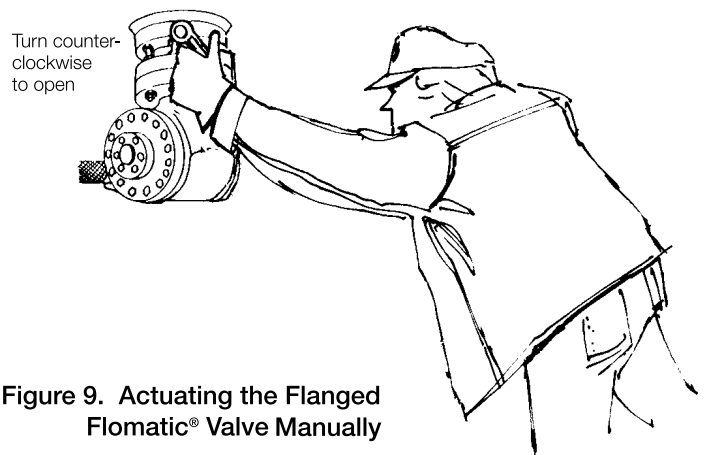


Figure 9. Actuating the Flanged Flomatic® Valve Manually

Pumping System Troubleshooting Guide

Introduction

Most LP-Gas and anhydrous ammonia systems use pumps to move liquid from one location to another. Unloading transport trailer tanks into plant storage, loading delivery trucks, filling bulk tanks, engine fuel tanks, portable cylinders, etc. and pressurizing LP-Gas vaporizers are only a few of many such applications. A well-designed and properly installed pumping system will perform well for some time, but eventually problems occur requiring attention.

Finding out what is wrong, and getting it working again, can be a time-consuming and confusing experience, unless one knows clearly how to proceed.

The purpose for this technical guide is to provide simple, step-by-step guidelines for correcting LP-Gas and anhydrous ammonia pumping difficulties.

The procedure includes a preliminary checklist to help find out if the difficulty can be corrected without taking anything apart. Then, it shows how to zero in on more serious problems by using a few pressure gauges to pinpoint the cause.

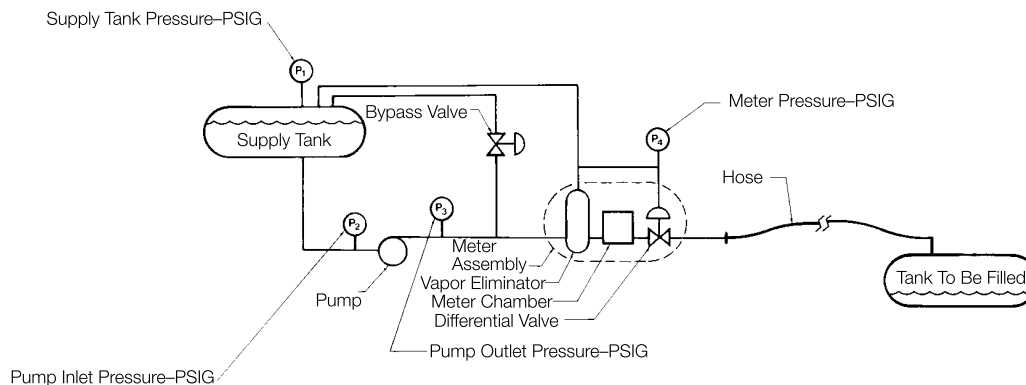
It is recommended that the pumping system be equipped for easy pressure gauge installation before trouble occurs. Small manual shutoff valves can be installed at proper locations, with plugs inserted in the outlets.

This would allow pressure gauges to be put in easily without removing the LP-Gas or anhydrous ammonia from the system at the time trouble occurs, saving a lot of time and unnecessary expense. Pressure gauges should be installed temporarily at the time the system is first installed, and pressure readings recorded while the system is working properly. Then, in many cases, merely comparing pressures with original readings may tell what the trouble is.

NOTE: The figure below shows where pressure gauges should be installed. Pressure gauge readings from the original tests should be recorded for each gauge.

It is recommended that the pressure gauges not be used continuously, because vibrations and the ravages of weather cause their damage or ruin. Therefore, as soon as the initial tests are complete, it is best to (1) close the shutoff valves, (2) remove the gauges, (3) plug the valves and (4) keep the gauges in a safe place, ready for troubleshooting when really needed. It is easier to diagnose a problem if the original test results are available, but don't panic if they aren't. You can still solve the problem without this information, but it requires more time and effort.

Pump System Schematic



G

A



Tank Pressure doesn't change



Pump Inlet Pressure decreases



Pump Outlet Pressure doesn't change

The trouble is most likely somewhere in the inlet line. It could be:

1. The pump may be running at a speed too low to develop proper differential pressure.
2. An inlet strainer is clogged.
3. A valve is partially closed somewhere in the inlet line.
4. Ice has formed either in the bottom of the supply tank or somewhere in the inlet line. This is common particularly when the tank has been hydrostatically tested or purged with steam, and not completely drained and dehydrated.
5. If a Flomatic® valve is used, it may not be opening for a number of reasons.
 - a. Pressure in the tank to be filled may be considerably less than that in the supply tank, making it impossible for the pump to develop sufficient differential pressure to open the valve (Simply throttle a manual valve on the discharge line to cause the pump

- a. to develop enough differential pressure to open the Flomatic® valve. As the pressure in the tank to be filled goes up, it will be possible to re-open the valve in the discharge line.)
 - b. The pump by-pass valve may be blocked open or have broken or damaged parts, preventing the pump from developing sufficient differential pressure to open the Flomatic® valve. (Pump outlet pressure must rise at least 21 PSI to open the Flomatic® Valve.)
 - c. The Flomatic® strainer, filter, three-way valve or other element in the actuating line is clogged, or the actuating line is kinked.
 - d. The Flomatic® valve internal parts may be damaged or worn. (Refer to Installation Manual #A7884F-301 for flanged valves or #L-451 for diaphragm-type threaded valves for repair instructions.)
6. If an internal valve is used, the main valve may not be opening due to insufficient equalization time, broken or damaged valve parts, valve lever in closed position or insufficient excess flow sizing.

NOTE: Meter pressure is not needed for this condition.

B



Tank Pressure doesn't change



Pump Inlet Pressure doesn't change



Pump Outlet Pressure goes up a little

The trouble is most likely related to the pump or by-pass valve. It could be:

1. The pump may have excessively worn parts.
2. The internal by-pass valve in the pump may be blocked open by foreign material, or may have broken or damaged parts.
3. The back-to-tank by-pass valve may be blocked open by foreign material, or may have broken or damaged parts.
4. The manual by-pass valve, is so-equipped, may be open.

NOTE: Meter pressure is not needed for this condition.

Pumping System Troubleshooting Guide

Be sure to obtain and keep available for quick referral the Manufacturer's Operation and Service Manuals for the valves, pump, meter and all operating equipment in the system.

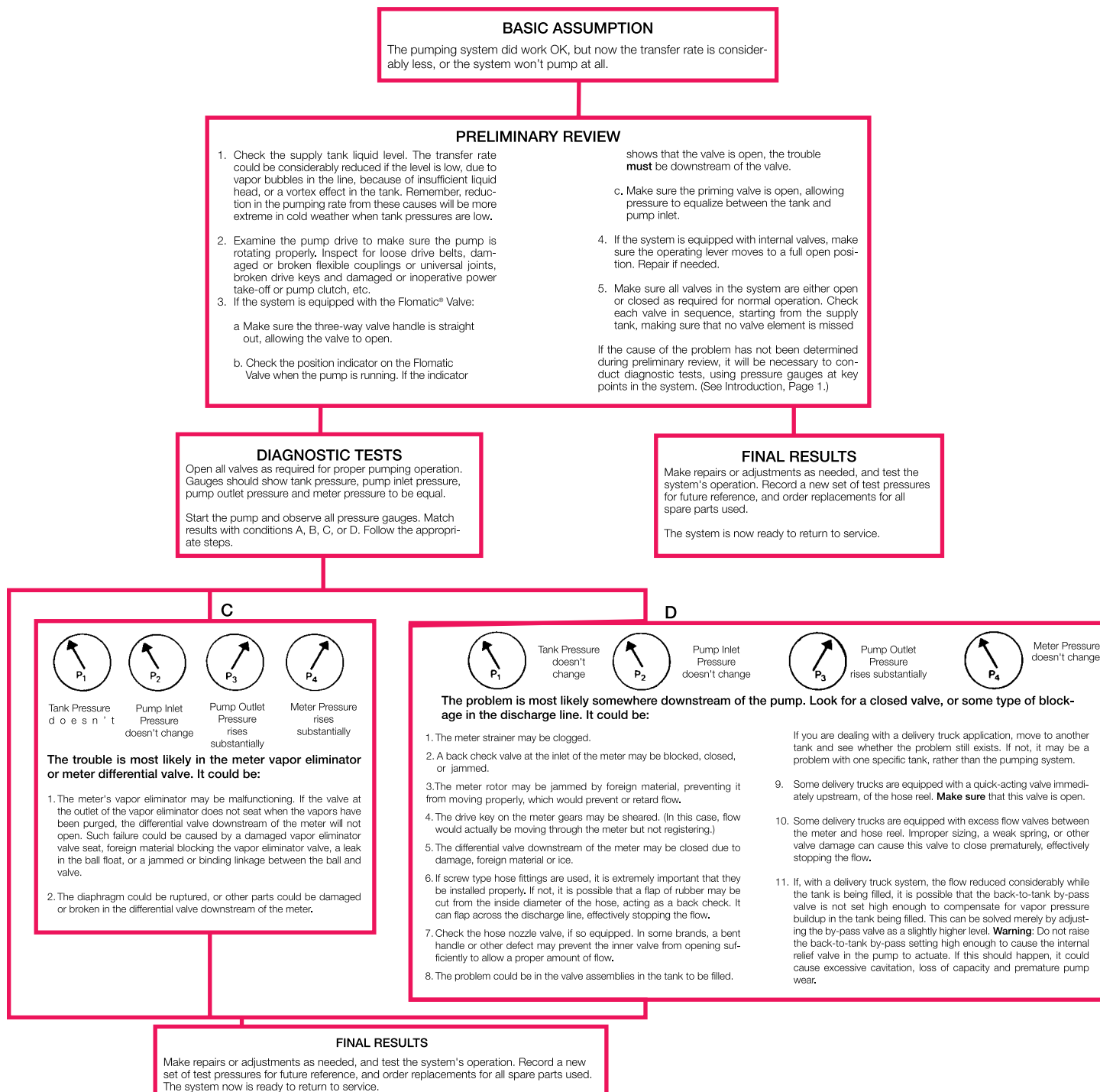
To avoid delays, maintain a complete stock of recommended spare parts on hand for quick repairs.

Follow the steps as shown. Don't assume the answer is known beforehand, or skip any applicable steps. Rather, be thorough and methodical and in most instances, you will solve the problem. On the

other hand, if you have done all of this and still haven't worked out your problem, feel free to call your local distributor or RegO

direct. We will do our best to help. Perhaps, between us, we will be able to solve your problem and add something new to the procedure which could help everyone in the future.

Pumping System Troubleshooting Chart



Section H
Adapters, Connectors and Fittings



RegO Limited Express Warranty and Limitation of Liability

10-YEAR LIMITED EXPRESS WARRANTY

NOTICE

Failure to install parts exactly as described in the instructions could result in a product that will not perform properly or satisfactorily. Even if parts are correctly installed, the product might fail to perform properly or satisfactorily if other parts are worn, corroded or dirty. Improper repair can cause leaks and malfunction, which could result in significant bodily injury, including death and/or property damage. Any such use or installation of parts must ONLY be done by experienced and properly trained personnel using accepted governmental and industrial safety procedures. Engineered Controls International, LLC ("RegO") assumes no responsibility or liability for performance of products repaired in the field. It must be clearly understood that the person or organization repairing any product(s) in the field assumes total responsibility for the safe and proper performance of the product.

WARNING

All RegO products are mechanical devices that will eventually become inoperative due to wear, corrosion and aging of components made of materials such as rubber, plastic, etc. The environment and conditions of use will determine the safe service life of these products. Periodic inspection and maintenance are essential to avoid serious injury and property damage. Many RegO products are manufactured components which are incorporated by others on or in other products or systems used for storage, transport, transfer and otherwise for use of toxic, flammable and dangerous liquids and gases. Such substances must be handled by experienced and trained personnel only, using accepted governmental and industrial safety procedures.

LP-Gas is a highly explosive and flammable gas that should never be vented near a possible ignition source.

10-YEAR LIMITED EXPRESS WARRANTY

RegO warrants products and repair kits manufactured by it (other than its Presto-Link and Presto-Tap products) to be free from defects in materials and workmanship under normal use and service for a period of 10 years from the date of manufacture. If within 30 days after buyer's discovery of what buyer believes is a defect, buyer notifies RegO thereof in writing and ships the product (at buyer's expense) to RegO at 100 RegO Drive, Elon, N.C. 27244, RegO, at its option, and within 45 days, will repair, replace F.O.B. point of manufacture, or refund the purchase price of that part or product found by it to be defective. Failure of buyer to give such written notice and return the product within 30 days shall be deemed an absolute and unconditional waiver of any and all claims of buyer arising out of such defect. This limited express warranty does not extend to any product or part that is not installed and used continuously after installation in accordance with RegO's printed instructions, all applicable state and local regulations, and all applicable national standards, such as those promulgated by NFPA, DOT and ANSI. This limited express warranty does not extend to any product or part that has been damaged by accident, misuse, abuse, failure to maintain or neglect, nor does it extend to any product or part which has been modified, altered, disassembled or repaired in the field. This limited express warranty does not cover any cosmetic issues, such as scratches, dents, marring, fading of colors or discoloration.

EXCEPT AS EXPRESSLY SET FORTH ABOVE, AND SUBJECT TO THE LIMITATION OF LIABILITY BELOW, REGO MAKES NO OTHER WARRANTY, AND EXPRESSLY DISCLAIMS, ANY EXPRESS OR IMPLIED WARRANTIES, INCLUDING BUT NOT LIMITED TO THE IMPLIED WARRANTIES OF MERCHANTABILITY AND FITNESS FOR A PARTICULAR PURPOSE AND AGAINST HIDDEN OR LATENT DEFECTS, WITH RESPECT TO ITS PRODUCTS AND PARTS, WHETHER USED ALONE OR IN A COMBINATION WITH OTHERS. REGO DISCLAIMS ALL WARRANTIES NOT STATED HEREIN.

This limited express warranty is given by Engineered Controls International, LLC, of 100 RegO Drive Elon, N.C. 27244 USA, (336) 449-7707.

LIMITATION OF LIABILITY

RegO total liability for any and all losses and damages arising out of any cause whatsoever shall in no event exceed the purchase price of the products or parts in respect of which such a cause arises, whether such cause be based on theories of contract, negligence, strict liability, tort or otherwise. RegO shall not be liable for incidental, consequential or punitive damages or other losses. RegO shall not be liable for, and buyer assumes liability for all personal injury and property damage connected with the handling, transportation, possession, further manufacture, other use or resale of products, whether used alone or in combination with any other products or material. From time to time buyers might call to ask RegO for technical advice based upon limited facts disclosed to RegO. If RegO furnishes technical advice to buyer, whether at buyer's request, with respect to application, further manufacture or other use of the products and parts, RegO shall not be liable for such technical advice provided to buyer by any third party and buyer assumes all risk of such advice and the results thereof.

NOTE:

Some states do not allow the exclusion or limitation of incidental, consequential or punitive damages, so the above limitation or exclusion may not apply to you. This warranty gives you specific legal rights, and you may have other rights that vary from state to state. The portions of this limited express warranty and limitation of liability shall be considered severable and all portions which are not disallowed by applicable law shall remain in full force and effect. The benefits given by the limited express warranty above are in addition to any other rights and remedies to which you may be entitled by law.

NOTE TO AUSTRALIAN PURCHASERS:

The following applies if you purchased this product as a "consumer" as defined in the Australian Consumer Law. Our goods come with guarantees that cannot be excluded under the Australian Consumer Law. You are entitled to a replacement or refund for a major failure and compensation for any other reasonably foreseeable loss or damage. You are also entitled to have the goods repaired or replaced if the goods fail to be of acceptable quality and the failure does not amount to a major failure. Information regarding how to return a product and make a claim under this limited express warranty is set forth below. Nothing in this document purports to modify or exclude your rights if any under the Australian Consumer Law, or other laws which cannot be lawfully be modified or excluded.

NOTICE TO USERS OF PRODUCTS

The limited express warranty stated above is a factory warranty to the first purchasers of RegO products. Since most users have purchased these products from RegO distributors, to make a claim under this limited express warranty the user must, within 30 days after the user's discovery of what the user believes is a defect, notify in writing the distributor from whom he purchased the product or parts, and return the product or parts (at the user's expense) to that distributor. The distributor may or may not at the distributor's option, choose to submit the product or parts to RegO, pursuant to its limited express warranty. Failure by buyer to give such written notice within 30 days shall be deemed an absolute and unconditional waiver of buyer's claim for such defects. Acceptance of any alleged defective product or parts by RegO distributor for replacement or repairs under terms of RegO limited express warranty in no way obligates RegO to the terms of the above warranty. Because of a policy of continuous product improvement, RegO reserves the right to change designs, materials or specification without notice.

Except as expressly set out above, RegO makes no warranties in relation to RegO products and RegO's liability in respect of any allegedly defective product is limited to the cost of replacing or repairing the product.

100 RegO Drive, Elon, N.C. 27244 U.S.A. Phone +1 (336) 449-7707 Fax (336) 449-6594 www.regoproducts.com RegO is a registered trademark of Engineered Controls International, LLC.

Foreword

This catalog describes a complete line of equipment available from RegO® for use with Liquid Propane (LP)-Gas and anhydrous ammonia (NH₃). The following points are important to know for proper use of the catalog:

1. Illustrations and drawings of individual products are representative of “product groups” and all products within a product group are similar in construction.
2. Materials used for construction of products in this catalog are suitable for rated service pressure at temperatures of -40°F to +165°F, unless otherwise specified.
3. Products in this catalog are only intended for use in LP-Gas and/or anhydrous ammonia service as follows.
 - a. “A” or “AA” prefix — Products with this prefix are suitable for NH₃ service (i.e., contain no brass parts).
 - b. “AA” prefix on relief valves — These valves are NOT suitable for use with LP-Gas service. These are of partial aluminum materials and are listed by Underwriters Laboratories (UL) for NH₃ service only.
 - c. All other products including “A” prefix are suitable for use with LP-Gas & NH₃ service.
 - d. “SS” prefix—Hydrostatic relief valve with this prefix are suitable for NH₃ and LP-Gas service (i.e., they have stainless steel materials).
4. We manufacture valves and adapters designed to be used on LP-Gas and Anhydrous Ammonia systems, we do not design systems or consult in system design. For this type of information consult a professional Engineer.

Caution

Do not use any product contained in this catalog with any service commodity other than LP-Gas or NH₃. If you have a need for use of another application, contact RegO, 100 RegO Drive, Elon, NC 27244, (336) 449-7707 ecii@regoproducts.com before proceeding.

Proper application, installation and maintenance of products in this catalog are essential. Users of these products should obtain further information if there are any doubts or questions.

Warning

All RegO products are mechanical devices that will eventually become inoperative due to wear, corrosion and aging of components made of materials such as rubber. The environment and conditions of use will determine the safe service life of these products. Periodic inspection and maintenance are essential to avoid serious injury and property damage.

Many RegO products are manufactured for storage, transport, transfer and use of toxic flammable and dangerous liquids and gases. Such substances should be handled by experienced and trained personnel only, using accepted governmental and industrial safety procedures. Never vent LP-Gas near any possible source of ignition.

Notice

Installation, usage, and maintenance of all RegO products must be in compliance with all RegO instructions as well as requirements and provisions of NFPA #54, NFPA#58, DOT, ANSI, and all applicable federal, state, provincial and local standards, codes, regulations, and laws.

Inspection and maintenance on a periodic basis is essential. Installation and maintenance should be performed only by qualified personnel.

Be sure all instructions are read and understood before installation, operation and service.

Filters

RegO LP-Gas equipment is designed to operate in a system free from contamination. A variety of in-line filters are commercially available to the LP-Gas industry for installation in domestic systems.

The use of an in-line filter should be considered when other system components may be unclean and the system contaminated by rust, scale, dirt, debris or other foreign material.

Extended Type Hose Couplings for Vapor and Liquid Service

A7571 and A7575 Series

Application

Designed especially for liquid filling and vapor equalization of LP-Gas and anhydrous ammonia. The limited travel of the handle on the tailpiece minimizes spin-off, encouraging cautious removal to properly bleed off trapped product to ensure closure of the filler valve and hose end valve. The ACME threads are machined on a rugged steel insert which is permanently cast in the aluminum handle, providing for durability under repeated use.

Features

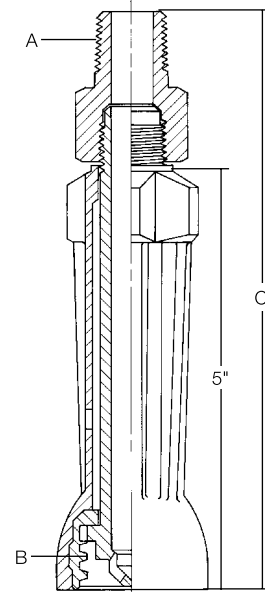
- Lightweight aluminum handle is contoured and ribbed for added comfort, easy handling allows for easy make-up.
- Free swivel action between tailpiece and handle allows for easy make-up.
- Simplified design eliminates an extra joint and provides smooth, uninterrupted flow.
- Temperature range of -40°F to +165°F (-40°C to +73°C)
- MAWP: 400 PSIG(27 Bar)

Materials

Handle Aluminium
 ACME Threads Steel Inlet
 Restraining Ring Stainless Steel



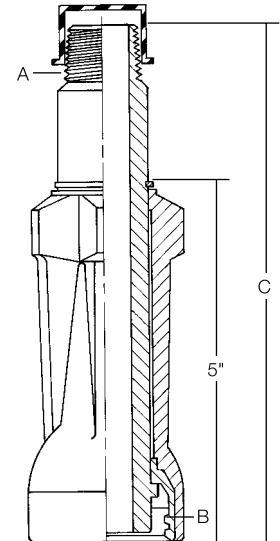
A7571 Series



For Vapor Equalizing



A7575 Series



For Liquid Filling



Ordering Information

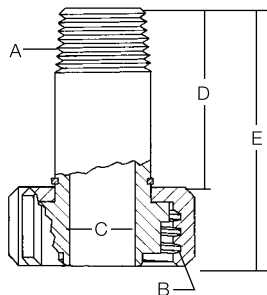
Part Number	Type of Service	A. Hose Connection (M. NPT)	B. Coupling Connection (F. ACME)	C. Approx. Length
A7575L2*	Liquid	1/2"	1 3/4"	7"
A7575L3		3/4"		
A7575L4		1"		
A7575L5**		1 1/4"		
A7571LA	Vapor	1/2"	1 1/4"	
A7571LB		3/4"		

* Includes 7199-33 adapter, shipped loose.
 ** Includes A7575L5-1 adapter, shipped loose.

Short Type Hose Couplings for Vapor and Liquid Service 3171, 3175, 3181, 3185 and 3195 Series



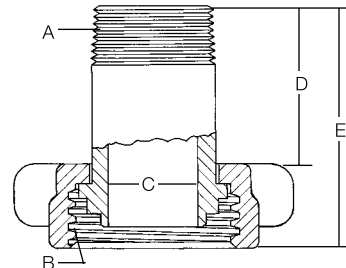
3175 Series



**Style A
For Liquid Filling**



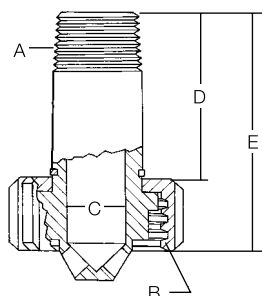
A3185 Series



**Style B
For Liquid Filling**



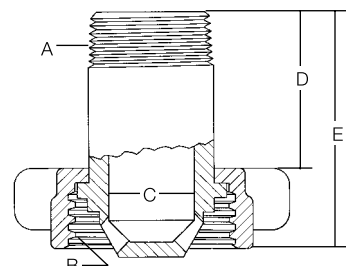
3171A Series



**Style C
For Vapor Equalizing**



3191 Series



**Style D
For Vapor Equalizing**



Features

- Temperature range of -40°F to +165°F (-40°C to +73°C)
- MAWP: 400 PSIG(27 Bar)

Ordering Information

Part Number	Material	Style	A. Hose Connection (M. NPT)	B. Coupling Connection (F. ACME)	C. Tailpiece Bore	D. Hose End To Nut	E. Overall Length		
3175B	Brass	A	1/2"	1 1/4"	35/64"	1 1/16"	2 1/16"		
3175			3/4"		3/4"				
3175A			1"		15/16"				
3185	Brass Nut & Steel Nipple	B	1 1/4"	2 1/4"	1 3/16"	2 1/16"	3 3/4"		
3195			2"	3 1/4"	7/8"	2 1/4"	3 5/8"		
A3175	Steel	A	3/4"	1 3/4"	3/4"	2"	2 7/8"		
A3175A			1"		7/8"	2 1/4"	3 1/8"		
A3185			1 1/4"		1 1/4"	2 1/8"	3 3/16"		
A3195	Steel	B	2"	3 3/4"	1 7/8"	2 1/4"	3 5/8"		
3171			Brass	C	3/8"	1 1/4"	3/8"	1 11/32"	2 19/32"
3171A	1/2"	31/64"							
3181	3/4"	3/4"			1 3/16"		2 1/16"		
3181A	1"	3/4"			1 7/8"		2 3/4"		
3191	Steel	D	1 1/4"	2 1/4"	1 3/16"	2 5/8"	3 3/16"		

ACME Check Connectors for Lift Trucks

7141F and 7141M

Application

These brass connectors are especially designed to join the carburetor fuel line to the service valve on lift truck cylinders. Sturdy, long lasting ACME threads allow quick, hand-tight assembly that provides for quick and simple cylinder replacement. Back checks automatically close in each connector when disconnected.

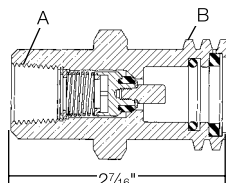
The 7141M couples directly to the service valve. An integral O-ring is designed to seal before the internal check opens, aiding in product loss prevention. A gasket at the ACME thread is a secondary seal when the connectors are tightened together. The connector fits RegO lift truck cylinder filling adapters for fast, convenient filling.

The 7141F accepts fuel line adapter and couples directly to the 7141M. The O-ring seal in the 7141M is designed to seal before the internal check opens to allow product to pass through the connection. The knurled coupling eases threading and the ACME threads provide rapid effortless make-up, even against LP-Gas pressure.

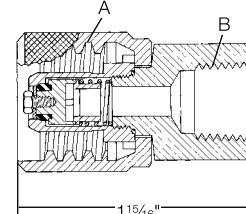
NOTE: Refer to the "Cylinder and Service Valves" section of the L-500 catalog for additional information.



7141M



7141F



Ordering Information

Part Number	Application	A. Inlet	B. Outlet	Protective Cap*	
				Rubber	Brass
7141M	Service Valve	3/8" F. NPT	1 1/4" M. ACME	7141M-40	7141FP
7141F	Fuel Line	1 1/4" F. ACME	1/4" F. NPT	-	-

* Recommended to minimize foreign material entering valves which could result in leakage.

Unloading Adapters for Container Evacuation 3119A, 3120 and 3121

Application

Designed to provide an efficient means of evacuating an LP-Gas container for relocation or repair. They thread directly onto the 1 1/4" ACME male hose connection of RegO Filler Valves used on RegO Double Check Filler Valves and Multivalve® assemblies.

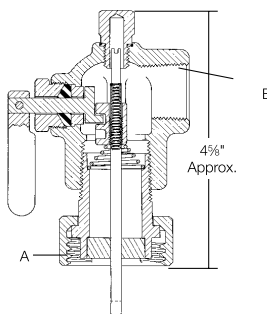
The unloading adapters can be used to withdraw liquid provided the container is equipped with a dip pipe extending from the filler valve to the bottom of the container.

Features

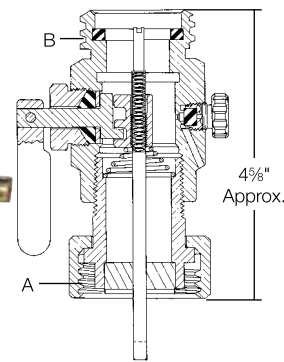
- Available in either angle or in-line type configurations.
- Built-in vent valve provides for a controlled release of gas which may be trapped within the unit after use and also helps to indicate closure of the Filler Valve.
- Integral plunger has two different lengths of travel, 1/4" and 1/2", depending on which way the lever is turned. Can be used with all RegO Filler Valves.



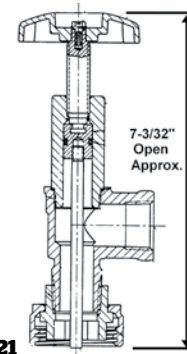
3120



3119A



3121



Materials

Body Brass
Plunger Steel

Ordering Information

Part Number	Style	A. Filler Valve Connection	B. Hose Connection
3119A	In-Line	1 3/4" F. ACME	1 1/4" M. ACME
3120	Angle		3/4" F. NPT
3121			

Left Hand Thread ACME Connectors for Vapor Withdrawal Industrial Cylinders 7142LF and 7142LM

Application

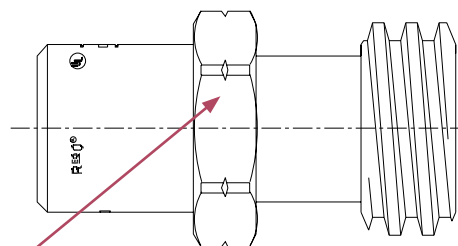
These brass connectors are especially designed to join the carburetor **vapor fuel** line to the service valve on industrial cylinders especially designed for and used on propane fueled lawn mowers. Sturdy long lasting ACME **left hand** threads provides for quick hand tight assembly that provides for quick and simple cylinder replacement.

Features

- The 7142LM couples directly to the service valve.
- An integral O-ring is designed to seal before the internal check opens, aiding in product loss prevention.
- A gasket at the ACME thread when the connectors are tightened together.
- The 7142LF accepts the **vapor fuel** line adapter and couples directly with the 7142LM.
- The O-ring seal in the 7142LM is designed to seal before the internal check opens to allow product to pass through the connection.
- The knurled coupling nut proves for easy make-up even against LP-Gas vapor pressure.



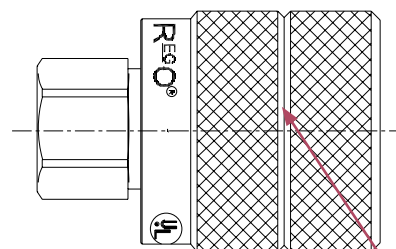
7142LM



Lines across wrench flats indicate left hand thread male ACME connection.



7142LF



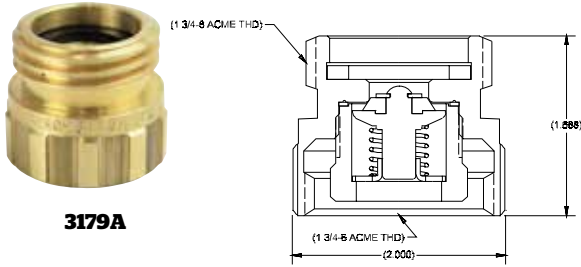
Solid line around coupling nut indicates left hand thread female ACME connection.



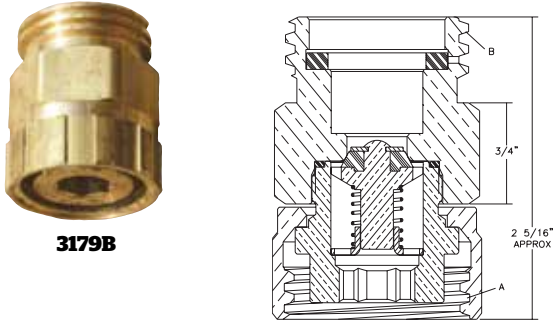
Ordering Information

Part Number	Application	Inlet	Outlet	Protective Cap
7142LM	Vapor Service Valve	3/8" F.NPT	1 1/4" M.ACME –left hand	7141M-40
7142LF	Vapor Fuel Line	1 1/4" F.ACME –left hand	1/4" F.NPT	-

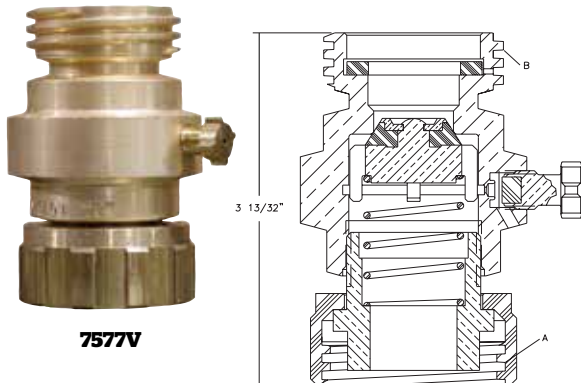
Filler Hose Adapters 3179B, and 7577V



3179A



3179B



7577V



These adapters are designed with minimal flow restriction and recommended for use on the outlet of the LP-Gas delivery truck filler hose. If the controlled bleed off of the connection indicates the filler valve on the tank being filled has failed to close, the hose adapter should be left in place on the filler valve and disconnection should be made at the regular filler hose coupling. (Repair of the filler valve must be made as soon as possible). An integral check valve in these adapters helps prevent further loss of product. The standard filler valve cap should be attached to these adapters when left on the container.

Ordering Information

Part Number	Built-in Vent Valve	A Filler Valve Connection	B Hose Connection
7577V	Yes	1 3/4" F. ACME	1 3/4" M. ACME
3179A 3179B	No		



H

POL Plugs



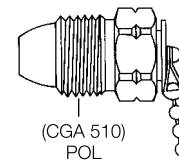
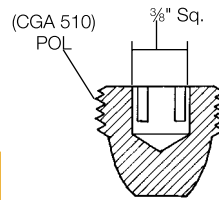
10538P
(Has hole for attaching wire to prevent loss of plug)



N970P

Highly recommended for installation in LP-Gas cylinder valve POL outlets whenever the service line is disconnected or when the cylinder is being transported.

When properly installed, the POL plug is designed to prevent contamination of the valve outlet and guards against product leakage if the cylinder valve is accidentally opened.

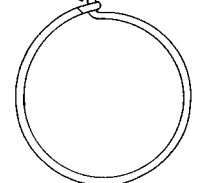


3705RC
W/Chain & Ring



Ordering Information

Part Number	Material	Connection
N970P	Cyclac	M. POL (CGA 510)
10538P	Brass	
3705RC		

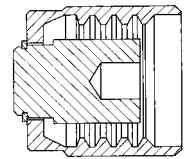


Caps and Plugs

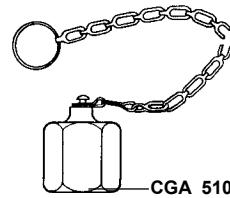
Ordering Information

Part Number	Style	Thread Connection	Ring Fits Pipe Size Up To:	Stainless Steel Flange Included	Nameplate	Material	
3144-9P	Cap	1 1/4" F. ACME	-	No	No	ABS	
3174-9P		1 1/4" F. ACME				Nylon	
A8016-9P		1 1/4" F. ACME				ABS	
3144-91	Cap & Chain	1 1/4" F. ACME	3/4"			Brass	
3174-93		1 1/4" F. ACME	1 1/4"				
A8016-93		CGA 555	-				
8555-CC		F. POL (CGA 510)					
1708C		1 1/4" F. ACME					
7141FP	Cap	1 1/4" F. ACME	-			1 1/4"	Steel
3175P	Cap & Chain	1 1/4" F. ACME	-			-	Brass
A3175P		2 1/4" F. ACME	1"				Steel
3184-90		3 1/4" F. ACME	-				Brass
3194-90		3 1/4" F. ACME	-				Steel
A3194-90		3 1/4" F. ACME	-				Brass
907FP		1 5/16" F. ACME	1"				Brass

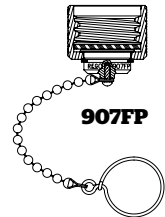
1708C POL Cap



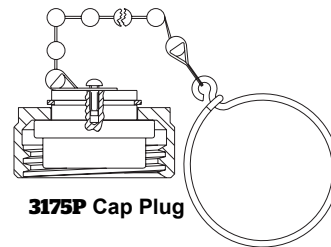
7141FP Cap Plug



CGA 510

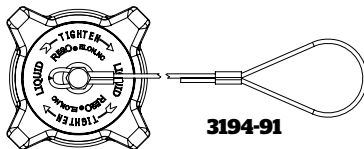


907FP

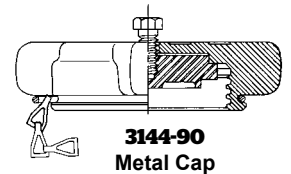


3175P Cap Plug

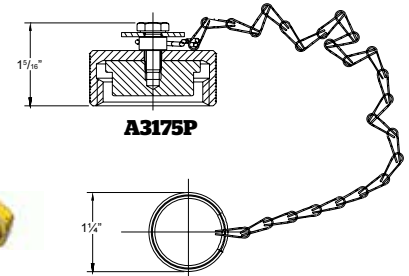
L=Liquid (Red)
S=Spray Fill (Yellow)
V=Vapor (Yellow)



3194-91



3144-90 Metal Cap



A3175P



8555-CC

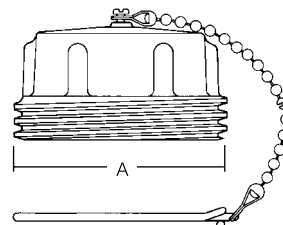
ACME Plugs

Specifically designed to withstand the everyday abuse given to hose end valves on delivery trucks and hose end couplings on risers in bulk plants, these rugged plugs protect the coupling tip as well as prevent the entrance of dirt, dust, snow and rain. They also prevent possible gas contamination from these same sources. The heavily ribbed outer surface permits hand-tight make-up.

These plugs are available in a choice of four sizes which may be used with liquid as well as vapor type couplings. As a convenience, the nylon plugs have a retaining chain and ring to prevent loss during a transfer operation.

All are suitable for LPG or anhydrous ammonia service except the brass 5765PR, which is for LP-Gas only.

Not intended for use as pressure closures.



A



C5763N

Ordering Information

Part Number	Material	A (M. ACME)	Chain & Ring Fits Pipe Size Up To:
C5763N	Nylon	1 1/4"	3/4"
C5765N		1 3/4"	1 1/4"
5765PR	Brass		Not Applicable
C5767N	Nylon	2 1/4"	1 1/4"
C5769N		3 1/4"	2"

Reducers and ACME Adapters

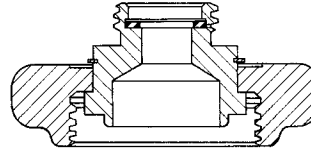
Ordering Information

Part Number	Material	F. ACME Connection	M. ACME Connection
5774	Brass	2¼"	1¾"
5776		3¼"	1¾"
A5776	Steel	3¼"	1¾"



Features

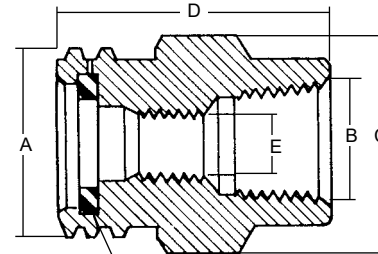
- Temperature range of -40°F to +165°F (-40°C to +73°C)
- MAWP: 400 PSIG(27 Bar)



A5776
Reducer Coupling

Ordering Information

Part Number	Material	A M. ACME	B FNPT	C Hex	D Overall Length	E Diameter	For Spare Gasket Order Part No.
5764A	Brass	1¾"	¼"	1¾"	1¾"	13/32"	A2697-20R
5764B			3/8"		123/32"	9/16"	
5764C			½"		1¼"	11/16"	
5764D			3/4"		19/32"	29/32"	
5764E			1"		15/16"		
5766E	Brass	2¼"	1"	2¼"	25/8"	13/32"	A3184-8R
5766F			1¼"		13/8"		
5768H			3¼"		2"	3¼"	
A5764D	Steel	3¼"	¾"	3¼"	23/16"	7/8"	A2697-20R
A5768H			2"		3¼"	113/16"	115/16"

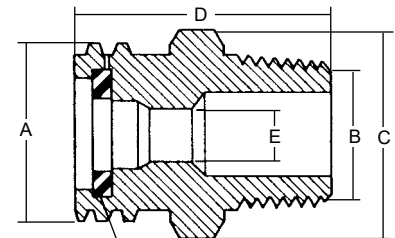


Gasket (Furnished with adapter)

ACME x Female NPT

Ordering Information

Part Number	Material	A M. ACME	B M. NPT	C Hex	D Overall Length	E Diameter	For Spare Gasket Order Part No.
5763D	Brass	1¾"	¾"	1¾"	1¾"	½"	A2797-20R
5765D			¾"		123/32"	29/32"	
5765E			1"		23/32"		
5765F			1¼"				
5767F			Brass		2¼"	1¼"	
5767H	2"	23/8"		27/16"		125/64"	
5769K	3"	3½"		33/8"		21/8"	A3194-8R
A5765D	Steel	1¾"	¾"	1¾"	23/16"	11/16"	A2697-20R
A5765E			1"			57/64"	
A5765F			1¼"				
A5769H			2"			3¼"	

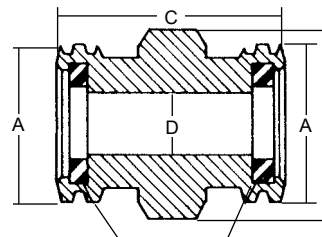


Gasket (Furnished with adapter)

ACME x Male NPT

Ordering Information

Part Number	Material	A M. ACME	B Hex	C Overall Length	D Diameter	For Spare Gasket Order Part No.
5765M	Brass	1¾"	1¾"	21/16"	29/32"	A2697-20R
5769M		3¼"	3¼"	23/4"	115/16"	A3194-8R



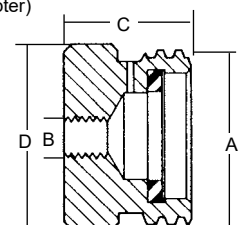
Gasket (Furnished with adapter)

ACME x ACME

Ordering Information

Part Number	Material	A M. ACME	B F. UNC	C Overall Length	D Diameter	For Spare Gasket Order Part No.
A5764W	Steel	1¾"	3/8"xx - 16*	1¼"	1¾"	2697-20
5764W	Brass					

* 3/8" - 16 UNC Thread.



ACME x Miscellaneous
(Recommended for securing hose-end valve when not in use).

ACME Hose Couplings for Liquid or Vapor Service with Integral Screen 3195S and A3195S

Application

The 3195S/A3195S Hose Couplings are designed to prevent debris from entering and impeding the action of valves and components in LPG piping systems at bulk and industrial plants.



3195S



Features

- Meets NFPA 58 requirements for liquid transfer.
- Stainless steel screen installed in the tail piece of the hose coupling.
- Temperature range of -40°F to +165°F (-40°C to +73°C)
- MAWP: 250 PSIG(17 Bar)

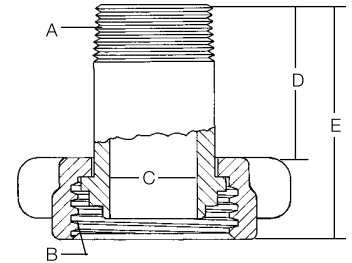
Materials

A3195

BodyDuctile iron Nut & Cadmium-Plated Nipple

A3195S

BodyDuctile iron Nut & Cadmium-Plated Nipple
Strainer300 Series Stainless Steel



Style B
For Liquid Filling

Ordering Information

Part Number	Material	Style	A. Hose Connection (M. NPT)	B. Coupling Connection (F. ACME)	C. Tailpiece Bore	D. Hose End To Nut	E. Overall Length
3195S	Brass Nut & Steel Nipple	B	2"	3/4"	1 1/8"	2 1/4"	3 3/8"
A3195S	Steel						

3 1/4" M.ACME X M.NPT Adapter with Vent Valve & Integral Screen 5769

Application

Designed to prevent debris from impeding the action of valves and components of LPG piping systems at bulk plants and industrial plants.

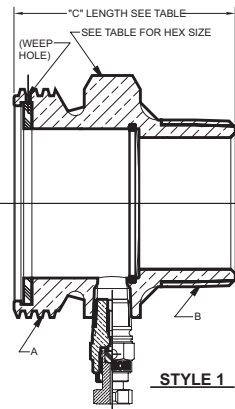


Features

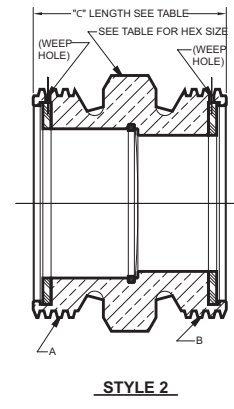
- Meets NFPA 58 requirements for liquid transfer
- Stainless steel screen
- Vent valve available in brass or stainless steel
- Temperature range of -40°F to +165°F (-40°C to +73°C)
- MAWP: 400 PSIG(27 Bar)

Materials

Body Brass
Screen Stainless Steel
Gasket Resilient Rubber



STYLE 1



STYLE 2

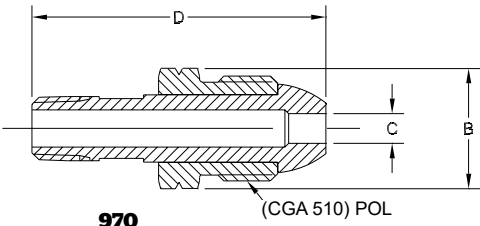


5769HVB

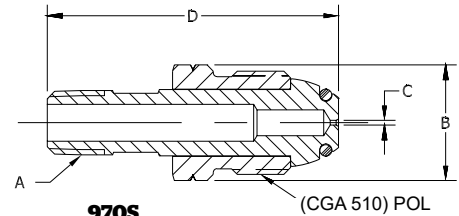
Ordering Information

Part Number	Style	Gasket Qty	Vent Valve	Hex Size	Thread "A"	Thread "B"	"C" Length
5769H	1	1	-	3 1/4"	3 1/4" ACME	2" M.NPT	2.875
5769K				3 1/2"		3" M.NPT	3.625
5769M	2	2		3 1/4" ACME		2.750	
5769HVB	1	1	3165CBT	3 1/4"		2" M.NPT	3.150
5768HVSS			TSS3169				
5769HVP			Unplugged				

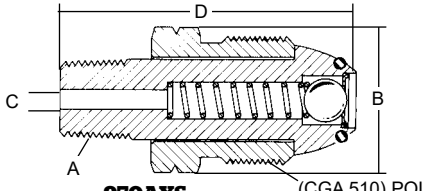
Male POL Swivel Adapters



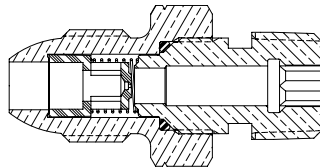
970
Hard Nose POL



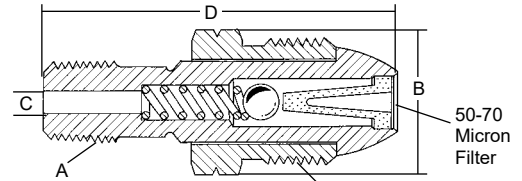
970S
Soft Nose POL w/60 DMS Orifice



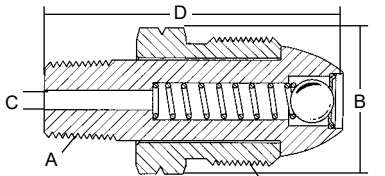
970AXS
Soft Nose POL w/Excess Flow



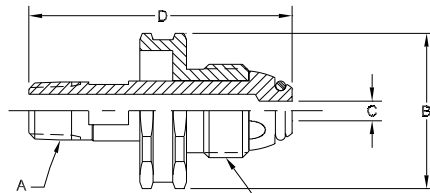
3188 Series



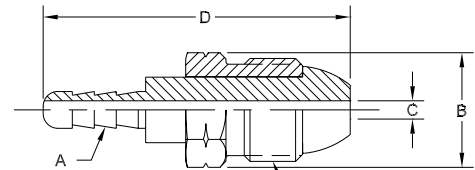
3199W
Heavy Duty Hard Nose POL w/Excess Flow



970AX
Hard Nose POL w/Excess Flow



970AW
970HT
Soft Nose POL w/Handwheel



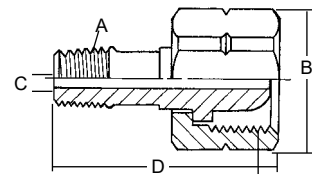
970JR
Hard Nose POL w/Hose Barb Connection

Ordering Information

Part Number	Material	A Outlet Thread	B Hex	C Drill	D Overall Length	Vapor at 100 PSIG Inlet (SCFH)	Liquid (GPM)	
970	Brass	1/4" M. NPT	7/8"	1/4"	2 1/2"	-	-	
970S				.040" orifice				
970AS				0.188" orifice				
970AX			1 1/8"	7/8"	1/8"	2 5/8"	404	1.10
970AXS					5/32"			
3199W					3/16"			
970AW					.040" orifice			
970HT			1/4" Hose Barb	7/8"	5/32"	2 5/8"	-	-
970JR					3/16"			
3188B			1/2" M. NPT	1 1/8"	5/32"	2 1/2"	700	1.9
3188C	1180	2.9						

Note: All nipples incorporate wrench hex section.

CGA 555 Swivel Adapters

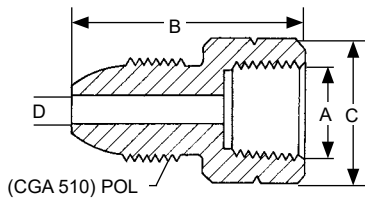


CGA 555

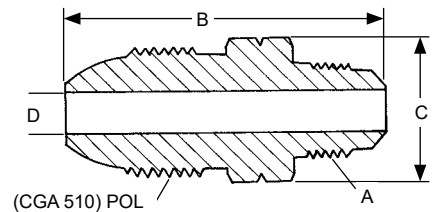
Ordering Information

Part Number	Material	A Outlet Thread	B Hex	C Drill	D Overall Length
12982	Brass	1/4" M. NPT	1 1/8"	3/16"	1 1/8"

POL Adapters



Male POL x Female NPT



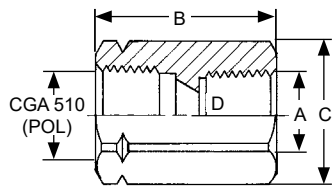
Male POL x Male NPT and SAE Flare

Ordering Information

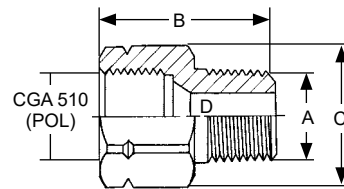
Part Number	Material	A F.NPT	B	C Hex	D Diameter
2906A	Brass	1/4"	1 1/2"	7/8"	9/32"
2906G		1/2"	2"	1 1/8"	

Ordering Information

Part Number	Material	A	B	C Hex	D Diameter
2906D	Brass	3/8" M. NPT	2 5/64"	7/8"	1 1/32"
2906F		3/8" SAE Flare	2 3/32"		9/32"
2906E		1/2" SAE Flare	2 9/32"		



Female POL x Female NPT and Female POL



Female POL x Male NPT

Ordering Information

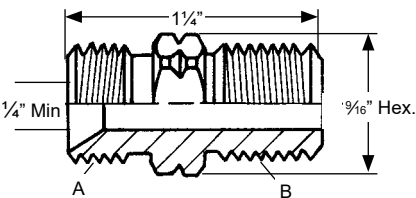
Part Number	Material	A	B	C Hex	D Diameter
5760A	Brass	1/4" F.NPT	1 5/8"	1 1/8"	1 3/32"
5760B		3/8" F.NPT			1 3/32"
5760C		1/2" F.NPT			7/16"
5760D		3/4" F.NPT	1 7/8"	1 3/8"	1 3/32"
5760S		POL (CGA 510)	2 1/8"	1 1/8"	

Ordering Information

Part Number	Material	A	B	C Hex	D Diameter
5761A	Brass	1/4" M.NPT	1 5/8"	1 1/8"	3/16"
5761B		3/8" M.NPT			1 3/32"
5761C		1/2" M.NPT			7/16"
5761D		3/4" M.NPT			

Hose Adapter

For use with fuel gases (LP-Gas, Acetylene).

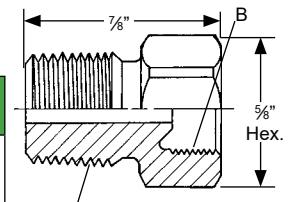


Ordering Information

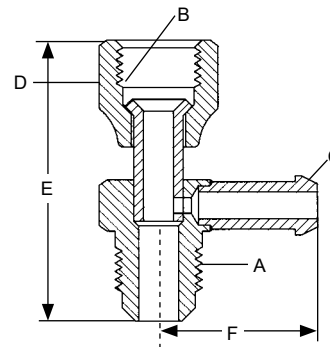
Part Number	Material	A	B
1300	Brass	5/8"-18UNF (L.H.)	1/4" M. NPT

Ordering Information

Part Number	Material	A	B
15774-1	Brass	1/4" M. NPT	1/4" Female Inverted Flare



Female Inverted Flare x Male NPT



Ordering Information

Part Number	Material	A	B	C	D	E	F
1328	Brass	3/8" SAE Male Flare	3/8" SAE Female Flare	3/8" Hose Barb	1 3/16"	2"	1 1/8"
1331		1/2" SAE Male Flare	1/2" SAE Female Flare		1"	2 1/8"	1 1/4"
1332		5/8" SAE Male Flare	5/8" SAE Female Flare		1 1/8"	2 1/2"	

Copper Pigtails

Features

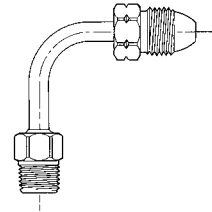
- Heavy duty construction.
- Individually soldered connections to the copper tubing.
- Each pigtail is individually tested prior to shipment.

Materials

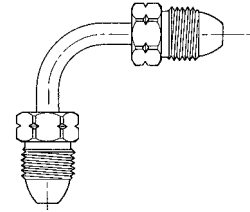
Tubing..... Copper
Connections..... Brass



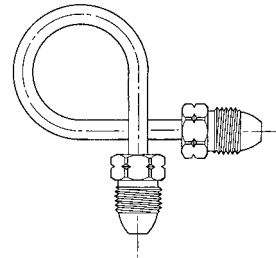
912JS12



913JS05A



913PS05A



913PS12G

Straight Pigtails

Ordering Information

Connections	Approximate Length	Part Number		
		¼" Tube		¾" Tube
		¾" Hex Short Nipple	1½" Hex Long Nipple	¾" Hex Short Nipple
M.POL x M.POL	5"	-	-	913PS05
	12"	912PS12	-	913PS12
	20"	912PS20	912PA20	913PS20
	30"	-	-	913PS30
	36"	912PS36	912PA36	913PS36
	48"	912PS48	912PA48	913PS48
¼" Inverted Flare x M.POL	12"	912FS12	-	-
	20"	912FS20	912FA20	-
	30"	912FS30	-	-
	36"	912FS36	-	-
¼" M.NPT x M.POL	5"	-	-	913JS05
	12"	912JS12	-	913JS12
	20"	912JS20	912JA20	913JS20
	36"	912JS36	-	-
½" M.NPT x M.POL	12"	-	-	913LS12
½" M.NPT x ¾" M.NPT	12"	-	-	913KL12

Bent Pigtails

Ordering Information

Connections	Approximate Length	Part Number		Type/Degree of Bend
		¾" Tube		
		¾" Hex Short Nipple		
¼" M. NPT x M. POL	5"	913JS05A	90°	
		913PS05A		
M. POL x M. POL	12"	913PS12G	270° Right Hand	
		913PS12H	270° Left Hand	

H

Section J
Miscellaneous Equipment
(Including Rotogage® Dials
and Emergency Shutoff Valves)

J

RegO Limited Express Warranty and Limitation of Liability

10-YEAR LIMITED EXPRESS WARRANTY

NOTICE

Failure to install parts exactly as described in the instructions could result in a product that will not perform properly or satisfactorily. Even if parts are correctly installed, the product might fail to perform properly or satisfactorily if other parts are worn, corroded or dirty. Improper repair can cause leaks and malfunction, which could result in significant bodily injury, including death and/or property damage. Any such use or installation of parts must ONLY be done by experienced and properly trained personnel using accepted governmental and industrial safety procedures. Engineered Controls International, LLC ("RegO") assumes no responsibility or liability for performance of products repaired in the field. It must be clearly understood that the person or organization repairing any product(s) in the field assumes total responsibility for the safe and proper performance of the product.

WARNING

All RegO products are mechanical devices that will eventually become inoperative due to wear, corrosion and aging of components made of materials such as rubber, plastic, etc. The environment and conditions of use will determine the safe service life of these products. Periodic inspection and maintenance are essential to avoid serious injury and property damage. Many RegO products are manufactured components which are incorporated by others on or in other products or systems used for storage, transport, transfer and otherwise for use of toxic, flammable and dangerous liquids and gases. Such substances must be handled by experienced and trained personnel only, using accepted governmental and industrial safety procedures.

LP-Gas is a highly explosive and flammable gas that should never be vented near a possible ignition source.

10-YEAR LIMITED EXPRESS WARRANTY

RegO warrants products and repair kits manufactured by it (other than its Presto-Link and Presto-Tap products) to be free from defects in materials and workmanship under normal use and service for a period of 10 years from the date of manufacture. If within 30 days after buyer's discovery of what buyer believes is a defect, buyer notifies RegO thereof in writing and ships the product (at buyer's expense) to RegO at 100 RegO Drive, Elon, N.C. 27244, RegO, at its option, and within 45 days, will repair, replace F.O.B. point of manufacture, or refund the purchase price of that part or product found by it to be defective. Failure of buyer to give such written notice and return the product within 30 days shall be deemed an absolute and unconditional waiver of any and all claims of buyer arising out of such defect. This limited express warranty does not extend to any product or part that is not installed and used continuously after installation in accordance with RegO's printed instructions, all applicable state and local regulations, and all applicable national standards, such as those promulgated by NFPA, DOT and ANSI. This limited express warranty does not extend to any product or part that has been damaged by accident, misuse, abuse, failure to maintain or neglect, nor does it extend to any product or part which has been modified, altered, disassembled or repaired in the field. This limited express warranty does not cover any cosmetic issues, such as scratches, dents, marring, fading of colors or discoloration.

EXCEPT AS EXPRESSLY SET FORTH ABOVE, AND SUBJECT TO THE LIMITATION OF LIABILITY BELOW, REGO MAKES NO OTHER WARRANTY, AND EXPRESSLY DISCLAIMS, ANY EXPRESS OR IMPLIED WARRANTIES, INCLUDING BUT NOT LIMITED TO THE IMPLIED WARRANTIES OF MERCHANTABILITY AND FITNESS FOR A PARTICULAR PURPOSE AND AGAINST HIDDEN OR LATENT DEFECTS, WITH RESPECT TO ITS PRODUCTS AND PARTS, WHETHER USED ALONE OR IN A COMBINATION WITH OTHERS. REGO DISCLAIMS ALL WARRANTIES NOT STATED HEREIN.

This limited express warranty is given by Engineered Controls International, LLC, of 100 RegO Drive Elon, N.C. 27244 USA, (336) 449-7707.

LIMITATION OF LIABILITY

RegO total liability for any and all losses and damages arising out of any cause whatsoever shall in no event exceed the purchase price of the products or parts in respect of which such a cause arises, whether such cause be based on theories of contract, negligence, strict liability, tort or otherwise. RegO shall not be liable for incidental, consequential or punitive damages or other losses. RegO shall not be liable for, and buyer assumes liability for all personal injury and property damage connected with the handling, transportation, possession, further manufacture, other use or resale of products, whether used alone or in combination with any other products or material. From time to time buyers might call to ask RegO for technical advice based upon limited facts disclosed to RegO. If RegO furnishes technical advice to buyer, whether at buyer's request, with respect to application, further manufacture or other use of the products and parts, RegO shall not be liable for such technical advice provided to buyer by any third party and buyer assumes all risk of such advice and the results thereof.

NOTE:

Some states do not allow the exclusion or limitation of incidental, consequential or punitive damages, so the above limitation or exclusion may not apply to you. This warranty gives you specific legal rights, and you may have other rights that vary from state to state. The portions of this limited express warranty and limitation of liability shall be considered severable and all portions which are not disallowed by applicable law shall remain in full force and effect. The benefits given by the limited express warranty above are in addition to any other rights and remedies to which you may be entitled by law.

NOTE TO AUSTRALIAN PURCHASERS:

The following applies if you purchased this product as a "consumer" as defined in the Australian Consumer Law. Our goods come with guarantees that cannot be excluded under the Australian Consumer Law. You are entitled to a replacement or refund for a major failure and compensation for any other reasonably foreseeable loss or damage. You are also entitled to have the goods repaired or replaced if the goods fail to be of acceptable quality and the failure does not amount to a major failure. Information regarding how to return a product and make a claim under this limited express warranty is set forth below. Nothing in this document purports to modify or exclude your rights if any under the Australian Consumer Law, or other laws which cannot be lawfully be modified or excluded.

NOTICE TO USERS OF PRODUCTS

The limited express warranty stated above is a factory warranty to the first purchasers of RegO products. Since most users have purchased these products from RegO distributors, to make a claim under this limited express warranty the user must, within 30 days after the user's discovery of what the user believes is a defect, notify in writing the distributor from whom he purchased the product or parts, and return the product or parts (at the user's expense) to that distributor. The distributor may or may not at the distributor's option, choose to submit the product or parts to RegO, pursuant to its limited express warranty. Failure by buyer to give such written notice within 30 days shall be deemed an absolute and unconditional waiver of buyer's claim for such defects. Acceptance of any alleged defective product or parts by RegO distributor for replacement or repairs under terms of RegO limited express warranty in no way obligates RegO to the terms of the above warranty. Because of a policy of continuous product improvement, RegO reserves the right to change designs, materials or specification without notice.

Except as expressly set out above, RegO makes no warranties in relation to RegO products and RegO's liability in respect of any allegedly defective product is limited to the cost of replacing or repairing the product.

100 RegO Drive, Elon, N.C. 27244 U.S.A. Phone +1 (336) 449-7707
Fax (336) 449-6594 www.regoproducts.com RegO is a registered trademark of Engineered Controls International, LLC.

Foreword

This catalog describes a complete line of equipment available from RegO® for use with Liquid Propane (LP)-Gas and anhydrous ammonia (NH₃). The following points are important to know for proper use of the catalog:

1. Illustrations and drawings of individual products are representative of “product groups” and all products within a product group are similar in construction.
2. Materials used for construction of products in this catalog are suitable for rated service pressure at temperatures of -40°F to +165°F, unless otherwise specified.
3. Products in this catalog are only intended for use in LP-Gas and/or anhydrous ammonia service as follows.
 - a. “A” or “AA” prefix — Products with this prefix are suitable for NH₃ service (i.e., contain no brass parts).
 - b. “AA” prefix on relief valves — These valves are NOT suitable for use with LP-Gas service. These are of partial aluminum materials and are listed by Underwriters Laboratories (UL) for NH₃ service only.
 - c. All other products including “A” prefix are suitable for use with LP-Gas & NH₃ service.
 - d. “SS” prefix—Hydrostatic relief valve with this prefix are suitable for NH₃ and LP-Gas service (i.e., they have stainless steel materials).
4. We manufacture valves and adapters designed to be used on LP-Gas and Anhydrous Ammonia systems, we do not design systems or consult in system design. For this type of information consult a professional Engineer.

Caution

Do not use any product contained in this catalog with any service commodity other than LP-Gas or NH₃. If you have a need for use of another application, contact RegO, 100 RegO Drive, Elon, NC 27244, (336) 449-7707 ecii@regoproducts.com before proceeding.

Proper application, installation and maintenance of products in this catalog are essential. Users of these products should obtain further information if there are any doubts or questions.

Warning

All RegO products are mechanical devices that will eventually become inoperative due to wear, corrosion and aging of components made of materials such as rubber. The environment and conditions of use will determine the safe service life of these products. Periodic inspection and maintenance are essential to avoid serious injury and property damage.

Many RegO products are manufactured for storage, transport, transfer and use of toxic flammable and dangerous liquids and gases. Such substances should be handled by experienced and trained personnel only, using accepted governmental and industrial safety procedures. Never vent LP-Gas near any possible source of ignition.

Notice

Installation, usage, and maintenance of all RegO products must be in compliance with all RegO instructions as well as requirements and provisions of NFPA #54, NFPA#58, DOT, ANSI, and all applicable federal, state, provincial and local standards, codes, regulations, and laws.

Inspection and maintenance on a periodic basis is essential. Installation and maintenance should be performed only by qualified personnel.

Be sure all instructions are read and understood before installation, operation and service.

Filters

RegO LP-Gas equipment is designed to operate in a system free from contamination. A variety of in-line filters are commercially available to the LP-Gas industry for installation in domestic systems.

The use of an in-line filter should be considered when other system components may be unclean and the system contaminated by rust, scale, dirt, debris or other foreign material.

Grounding Stud 7172 and 7173

Application

Designed to help prevent static electricity from being generated during the filling process. Used in conjunction with a grounding clamp assembly at a bulk tank facility.

Features

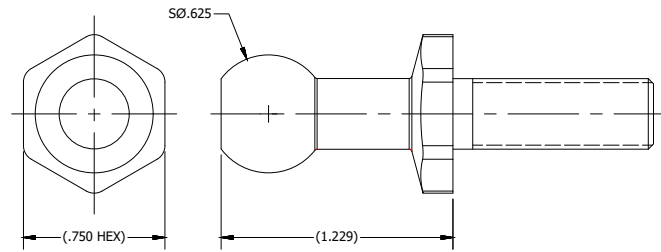
- .625" Rounded Ball stud
- 3/8" or 1/2" Threads available
- Washer and nut included

Materials

Stud Brass
 Washer Stainless Steel
 Nut Stainless Steel



7171



Part Number	Thread	"L"
7172	3/8"	1.063
7173	1/2"	

1" Rotogage® Dial for Large Mobile and Stationary Containers A9090 Series

Application

Rotogage® dials are designed to provide an accurate determination of LP-Gas or anhydrous ammonia container contents. They mount in a standard 1" NPT coupling on large mobile or stationary containers.

To operate the Rotogage® dials, the vent valve is opened and the dip tube rotated slowly from the container vapor space to the liquid space. The difference in appearance of the discharge indicates when the liquid level is reached. Dial readings then indicate the percentage of product in the container.

Features

- Supported design (TS Models) eliminates whipping and the need for internal support hangers.
- Resistance-free nylon bearing inserts reduce friction and promote operating ease.
- Dial face is dual calibrated to provide greater accuracy in reading contents in containers which are not level.
- Interchangeable accessory dials permit interchangeable service between LP-Gas and anhydrous ammonia.

Materials

Body	Steel
Stem	Steel
Dip Tube	Seamless Steel
Indicator.....	Malleable Iron
Dial Plate	Aluminium
Vent Stem.....	Stainless Steel

Tubes for use with A9090 Series Rotogage® Dial
Cut to length required.

Service	Part Number
Up to 48"	A9091-M24.0
Up to 72"	A9091-M36.0
Up to 96"	A9091-M48.0
Up to 120"	A9091-M60.0
Up to 144"	A9091-M72.0



Rotogage® Dials

Ordering Information

Part Number	Service	Container Size
A9091-18L	LP-Gas	All Sizes
A9091-18LX*	LP-Gas	Over 1200 U.S. gallons
A9091-18N	NH ₃	All Sizes

* Dial permits higher filling level, per NFPA 58,



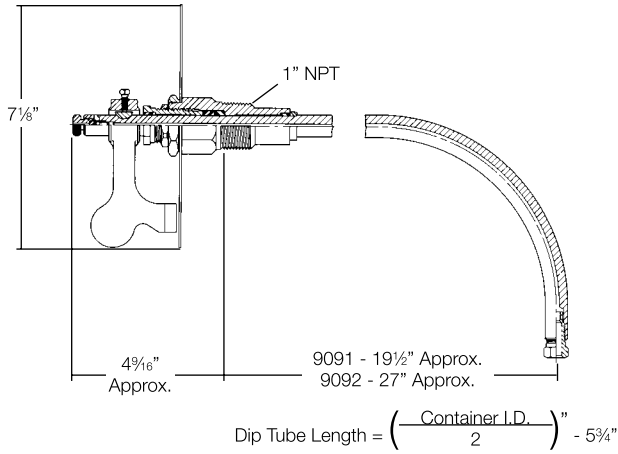
Rotogage® Dial



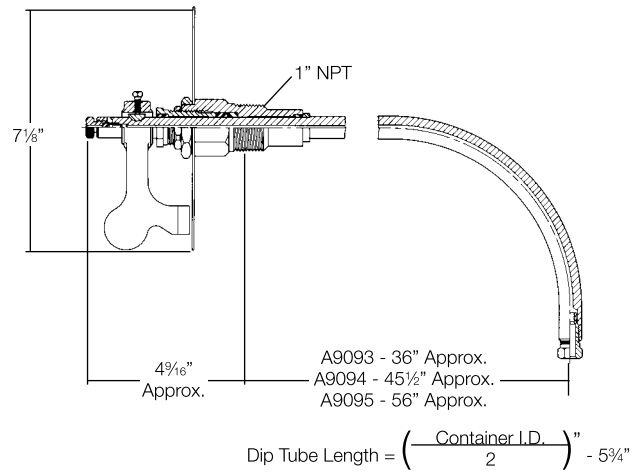
A9091-18LX

1" Rotogage® Dials for Large Mobile and Stationary Containers

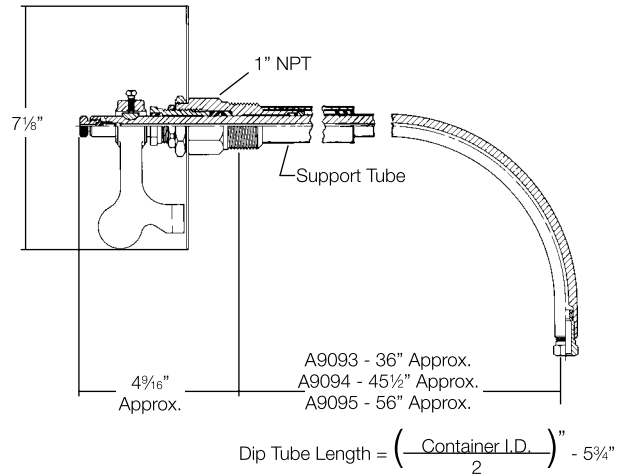
For Small Mobile or Stationary Containers
A9091R and A9092R Series



For Large Stationary Containers
9093RS, 9094RS and 9095RS Series



For Large Mobile or Stationary Containers
A9093TS, A9094TS and A9095TS Series



Ordering Information

Part Number		For Container Inside Diameter			
		Ellipsoidal Heads		Hemispherical Heads	
		Side Mounted	End Mounted	Side Mounted	End Mounted
For Mobile or Stationary Containers	For Stationary Containers Only				
A9091R	-	30" - 45"	30" - 75"	30" - 45"	30" - 45"
A9092R	-	46" - 61"	76" - 108"	46" - 61"	46" - 61"
A9093TS*	A9093RS	62" - 79"	109" - 147"	62" - 79"	62" - 79"
A9094TS*	A9094RS	80" - 99"	-	80" - 99"	80" - 99"
A9095TS*	A9095RS	100" - 147"	-	100" - 147"	100" - 147"

* Supported Design

NOTE: The dip tube must be cut to the required length (1/2" of container inside diameter minus 5 3/4").

Pull-Away Valves for Transfer Operations

A2141 Series

Application

Designed especially to provide pull-away protection for LP-Gas and anhydrous ammonia transfer operations including transport and delivery truck loading and unloading, engine fuel container filling and miscellaneous cylinder filling operations. When properly fastened to the inlet end of the discharge hose, the valve is designed to stop gas escape from both upstream and downstream lines in the event of a pull-away. An excessive tension pull causes the valve to automatically separate, closing two internal back pressure checks. Only a few cubic centimeters of gas escape at the instant of separation.

It is recommended that a convenient means be provided to safely remove the pressure from the line upstream of each coupling half to enable reassembly of the valve. To reassemble, simply push the male half firmly into the female half until the retaining balls slip into the retaining groove. Check for leaks after reassembly.

NOTE: It is recommended that pull-away valves be maintained and safety tested periodically to confirm that they will separate properly in the event of a pull-away. Lubrication every six months is essential to the pull-away's operation. Dry nitrogen or other inert gas is suggested as a source of pressure for pull-away tests.

If the A2141 pull-away valve is going to be stored for a period of time, A2141 Series such as in seasonal applications, it is recommended that it be sprayed with a good grade of rust-preventive machine oil, and covered to protect it from moisture.

Features

- Heavy-duty construction for long service life.
- A "true" pull-away type valve which simply reconnects by snapping together without unnecessary downtime or need for new parts.
- Buna-N seals provide leak tight operation.
- 400 PSIG operating pressure.
- Temperature range of -40°F to +165°F (-40°C to +73°C)
- MAWP: 400 PSIG (27 Bar)

Materials

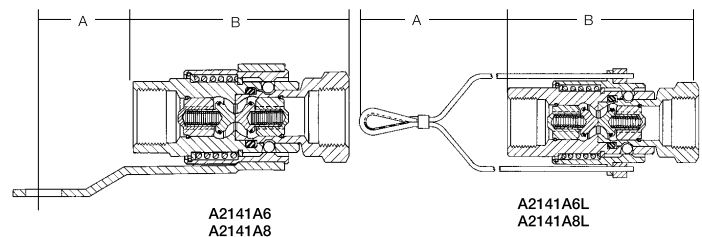
Body (3/4", 1")..... Cadmium Plated Steel
 Body (1 1/4", 2")..... Cadmium Plated Steel
 Seals..... Buna-N Rubber
 Cables Nylon Coated, Galvanized Steel



A2141A6

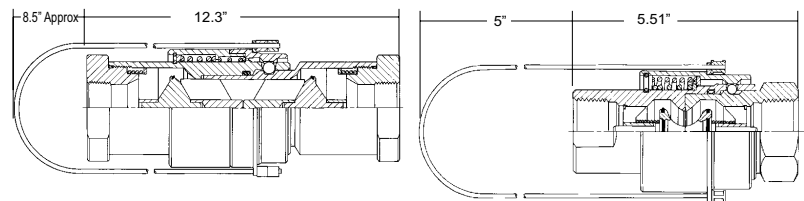


A2141A10



A2141A6
A2141A8

A2141A6L
A2141A8L



A2141A16

A2141A10



Ordering Information

Part Number	Inlet/Outlet Connections NPT F.	Disconnect Force Approx-lbs	Reconnect Force Approx-lbs	Length A	Length B	LP-Gas Liquid Flow Capacity at Various Differential Pressures (GPM)*			
						5 PSIG	10 PSIG	25 PSIG	50 PSIG
A2141A6	3/4"	130	80	5/8"	3 3/8"	11	16	25	36
A2141A6L**				1/8"					
A2141A8	1"	75	50	1 15/16"	4 1/16"	21	30	47	67
A2141A8L**				5/8"					
A2141A10	1 1/4"	160	25	5"	5 5/8"	52	75	120	170
A2141A16	2"	300	50	8 1/2"	14 5/16"	250	350	550	750

* To Determine NH₃ liquid flow capacity, multiply by .90.

LP-Gas Emergency Shut-Off Valves (ESV's)

Why and how they should be used for Bobtail Filling and Transport Unloading.

General Information

The primary purpose of Emergency Shut-Off Valves in bobtail filling and transport unloading is to allow quick shut-off of liquid and vapor flow in the event there is an accidental pull-away of a truck or a hose rupture, both of which could cause a fire.

A system using Emergency Shut-Off Valves will not prevent some spillage of liquid and vapor, but the total system should be constructed so this spillage will be kept to a minimum.

This can be accomplished either by making possible, quick action by the driver or plant personnel in closing the valves by manual remote or pneumatic remote actuation; or in case of a pull-away, by automatic closing of the liquid valve by means of a cable connected to the liquid hose.

By minimizing the presence of liquid and vapor, the chance of a fire or explosion will be reduced. In case of a fire, thermal links at the valves or at other appropriate locations could close the valves and prevent further release of liquid and vapor.

The valve closing systems will be discussed later in this section. The user should decide which system is most appropriate, depending on the piping configuration and the general layout of the filling/unloading area.

ESV Application for Bobtail Loading and Transport Unloading

A very important function of the typical LP-Gas storage plant is to transfer LP-Gas into bobtails for delivery to customers. How efficiently and rapidly these bobtails can be filled often determines the number of customers that can be served each day, as well as how many bobtails are required to satisfactorily serve all customers. Therefore, the selection of an ESV for the bobtail liquid loading line should be done with care so as to maximize efficiency in filling and have year-round dependability.

The RegO 2" (A6016) and 3" (A6024) liquid ESVs have a full open port so that the restrictions of flow would be no more than you would expect through an equivalent length of schedule 80 pipe. To improve the overall efficiency of the system, the valves were designed as an operating valve so it could replace an existing globe or angle valve already installed at the end of the fixed piping. Thus, installing a RegO ESV could actually result in a more efficient pumping operation than the existing system.

Equally important in the consideration of an ESV is its performance in an emergency, especially bobtail pull-aways. Therefore, when selecting the proper ESV for bobtail filling, also consider the dependability of performance, and simplicity of operation and maintenance.

The RegO ESVs clearly indicate to the operator its open or closed position. It allows full manual control by the operator and provides means for remote operation in emergencies from either in front of the valve or in the rear.

No complicated systems of pulleys and cables are necessary since direct, straight pulls will close the valve. Means are even provided to secure a length of cable to the transfer hose so as to produce an automatic closing in the event the driver pulls away without disconnecting the hose.

NFPA Provisions (2024)

The pertinent provisions of NFPA Pamphlet 58, as they apply to Emergency Shut-Off Valves and how they are to be installed are below (for complete information refer to NFPA 58):

Section 5.14.2.3 requires that emergency shutoff valves be approved and incorporate all the following means of closing: (1) Automatic shutoff through thermal (fire) actuation, (2) Manual shutoff from a remote location, (3) Manual shutoff at the installed location.

Section 5.14.2.5 states where fusible elements are used; the melting point cannot exceed 250°F (121°C).

This provision sets for the basic criteria for the emergency shutoff valve, a key valve in the protection of many liquid transfer operations. Actuating means for remote control may be electrical, mechanical or pneumatic.

Many systems use a pneumatic system where the tubing itself acts as a fusible element releasing the pressure holding the valve open. With respect to the feature of manual shutoff at the installed location, it is recommended that this valve be operated occasionally. Also, the system should be tested periodically to determine that it will function properly.

Section 6.14.1 covers new and existing installations, stationary container storage systems with an aggregate water capacity of more than 4000 gal (15.1m³) utilizing a liquid transfer line that is 1½ in. (39 mm) or larger and pressure equalizing lines 1¼ in (32 mm) or larger, must be equipped with emergency shutoff valves.

Section 6.14.2 describes where an emergency shutoff valve must be installed in the transfer lines of the fixed piping transfer system within 20 ft (6m) of lineal pipe from the nearest end of the hose or swivel-type piping connections.

Section 6.14.5 covers installations where there are two or more liquid or vapor lines with hoses or swivel-type piping connected of the sizes designated in 6.12.1, an emergency shutoff valve or a backflow check valve, where allowed, must be installed in each leg of the piping.

Section 6.14.6 states the requirements for thermal protection; emergency shutoff valves must be installed so that the temperature-sensitive element in the valve, or a supplemental temperature-sensitive element that operates at a maximum temperature or 250°F (121°C) that is connected to actuate the valve. It also states maximum distance this can be which is not more than 5ft (1.5m) from the nearest end of the hose or swivel-type piping connected to the line in which the valve is installed.

Section 6.14.7 requires that the temperature-sensitive elements of emergency shutoff valves cannot be painted, or can they have any ornamental finishes applied after manufacture.

Section 6.14.8 emergency shutoff valves or backflow check valves must be installed in the fixed piping in manner to protect them so that any breaks resulting from a pull will occur on the hose or swivel-type piping side of the connection; allowing the valves and piping on the plant side of the connection to remain intact.

Section 6.14.9 emergency shutoff valves that are required to be installed in accordance with 6.14.2, that a means must be incorporated to actuate the emergency shutoff valves in the event of a break of the fixed piping resulting from pulling of the hose.

Section 6.14.10 states that all emergency shutoff valves required by the code be annually tested for the functions required in 5.14.2.3 (2) Manual shutoff from a remote location, (3) Manual shutoff at the installed location; the results of the test are documented.

Section 6.14.12 requires that new and existing emergency shutoff valves shall comply with 6.14.12.1 through 6.14.12.3 below.

Section 6.14.12.1 requires that the emergency shutoff valve shall have at least one clearly identified and accessible manually operated remote shutoff device.

Section 6.14.12.2 states that the remote shutoff device for an emergency shutoff valve must be located not less than 25ft (7.6m) or more than 100 ft. (30 m) in the path away from the emergency shutoff valve.

Section 6.14.12.3 describes the requirements when an emergency shutoff valve is used in place of an internal valve in compliance with 5.9.4.2(D) (2) the remote shutoff device have to be installed in accordance with 6.13.4 and 6.13.5.

The provisions above and others covered in NFPA 58 can assist in determining how bobtail filling and transport unloading stations are to be configured. The diagrams shown here offer general information, they should not be used as an installation guide.

LP-Gas Emergency Shut-Off Valves (ESV's)

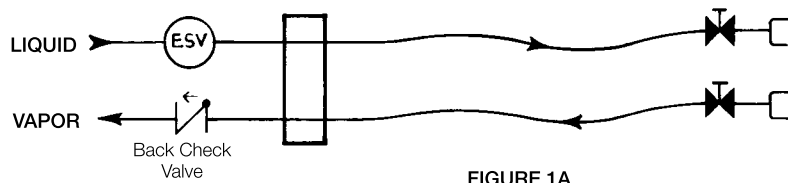


FIGURE 1A
Bobtail Filling Only

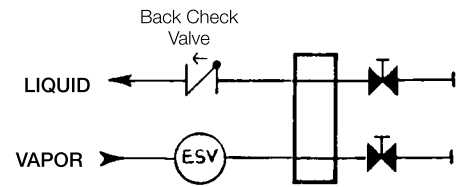


FIGURE 1B
Transport Unloading Only

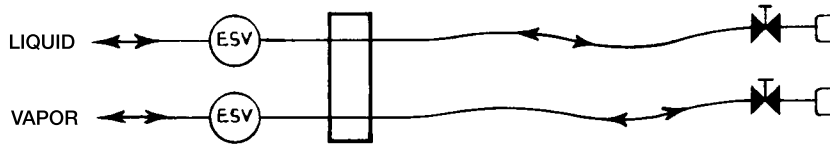


FIGURE 1C
Combined Bobtail Filling
and Transport Unloading

Installation Compliance with NFPA Requirements

A valve that is approved as an ESV may be installed in the fixed piping up to a distance of 20 feet (along the pipe) from the point where the transfer hose is attached to the fixed piping.

However, when the ESV is located more than five feet from the end of the fixed piping, an additional fusible element must be installed within five feet of the point of attachment of the hose, and be connected to the ESV valve in such a manner that it will cause the ESV to close in the event of a fire.

The ideal location of the ESV is as close to the end of the fixed piping as possible. This position eliminates the need for an additional fusible element and cable, and it may also permit the elimination of a restrictive valve already installed at the end of the fixed piping.

To this point, our comments have been principally concerned with ESV protection of the liquid line at bulk plants because this is the area of greatest potential danger in the event of a pull-away or hose rupture.

However, regulations also require an ESV in the vapor transfer line when the vapor hose is 1¼" or larger. A helpful rule of thumb in determining whether or not an ESV control valve is required in your

vapor system is this: If the vapor flow is out of the storage tank, an ESV is required. ESV systems are designed to protect the storage tank contents against uncontrolled release.

Therefore, a bobtail loading system could use a 1¼" or larger back pressure check valve in the vapor system since the flow of vapor is always from the bobtail being filled back to the storage tank. To improve transfer rates, the use of the RegO 6586D back check valve at this location would provide protection at minimum pressure drop.

If the bobtail vapor line is also used when unloading transports, then the RegO A6010 ESV should be used. The A6010 provides thermal protection, manual closing and a remote emergency closing system similar to the RegO 2" liquid ESV, A6016.

Remote Control Systems

Usually in transfer loading operations, the valve handles and cables are located in close proximity to the area of greatest potential danger during an emergency. Therefore, each bobtail filling system or transport unloading system should have installed in it at least one readily accessible, alternate remote operating device.

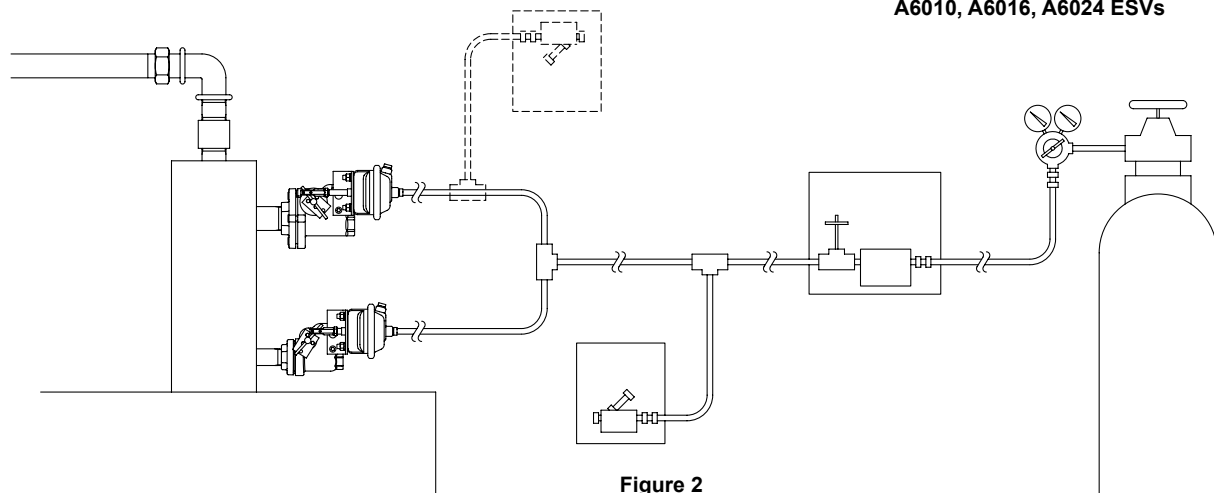


Figure 2
RegO ESV's with Remote Pneumatic
and Transfer Hose Cable Release
Systems Typical Installation

A6010, A6016, A6024 ESVs

2" & 3" Swing-Check ESVs for Bulk Plants A6016 Series and A6024 Series

Application

Designed for installation in liquid transfer lines at LP-Gas or Anhydrous Ammonia bulk plants to provide for quick shut-off of liquid or vapor flow in the event of an accidental pull-away, line break, or hose rupture.

Features

- Fusible Element is located in the thermal fuse assembly which acts at the latch open and close trigger. When exposed to fire, the element melts at 212° F allowing the shaft to return to the closed position.
- Valve can be opened by use of operating lever, if a pneumatic actuator is used it will open with the actuator.
- Valve can be closed by remote cable or pneumatic actuator.
- Valve can be closed by simply pushing the operating lever down, it is not necessary to trip the close trigger.
- Seat Disc is retained by a metal seat to minimize leakage in case of direct fire impingement.
- Cannot trap liquid between the outlet of the valve and a shutoff valve downstream (no hydrostatic relief valve required; swing check will open and allow backflow at minimal differential pressure).
- Quick closing regardless if the pump is running or not.
- Temperature range of -40°F to +165°F (-40°C to +73°C)
- MAWP: 400 PSIG(27 Bar)

Sturdy Rugged Construction

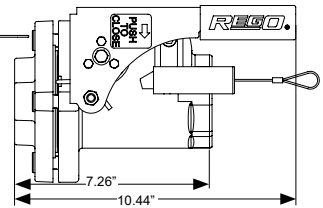
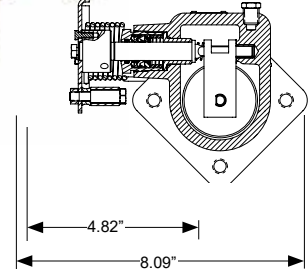
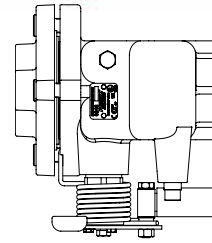
- Will withstand hydraulic shock of sudden closings, piping strains, and temperature variations.
- Valve has only two moving parts, stem and close/thermal trigger.
- A6016 is UL listed for use in LP-Gas as an emergency and operating shut-off valve.
- Stem seals are spring loaded for leak free performance at low temperatures/pressures.

Materials

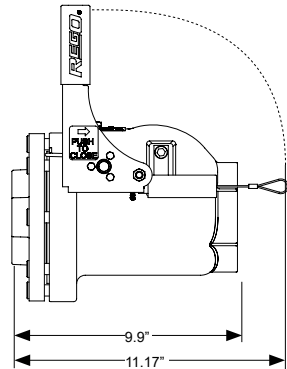
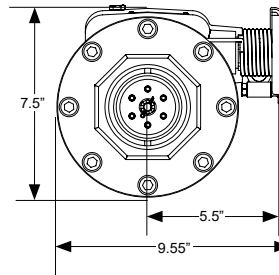
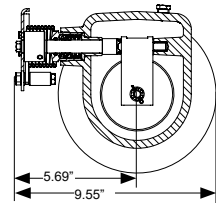
Body Ductile Iron Cad Plated
 Stem Stainless Steel
 Seat Stainless Steel
 Seat Disc (VA6016/VA6024)..... High Temperature FKM
 Seat Disc (A6016/A6024)..... Nitrite
 Springs Stainless Steel
 Gaskets Teflon



A6016



A6024



Pneumatic Actuator Specifications (Sold Separately)

Part Number	Operating Pressure in PSIG
6016-60D	40 - 120
6016-60C	25-120
6016OA	

Ordering Information

Part Number	Seat	Inlet and Outlet Connections	Liquid Flow Capacity at 10 PSIG Drop (GPM)	Accessories			
				Remote Close Pneumatic	Remote Open/Close Pneumatic	Remote Open/Close Rotary	Electric Actuator
VA6016	FKM	2" F.NPT	711 (LP-Gas)	6016-60D	6016-60C	6016OA	A6016EA
A6016	Buna-N	2" F.NPT	640 (NH ₃ or LP-Gas)				
VA6024	FKM	3" F.NPT	1325 (LP-Gas)				
A6024	Buna-N	3" F.NPT	1173 (NH ₃ or LP-Gas)				

1¼" Swing-Check ESV for Bulk Plants VA6010 and A6010

Application

Designed for installation in liquid or vapor transfer lines at LP-Gas or Anhydrous Ammonia bulk plants to provide for quick shut-off of liquid or vapor flow in the event of an accidental pull-away, line break, or hose rupture.

Features

Meets NFPA 58 and UL requirements

- Fusible Element is located in the thermal fuse assembly, which acts at the latch open and close trigger. When exposed to fire, the element melts at 212 degrees F. allowing the shaft to return to the closed position.
- Valve can be opened by use of operating lever. If a pneumatic actuator is used it will open with the actuator.
- Valve can be closed by remote cable or pneumatic actuator.
- Cannot trap liquid between the outlet of the valve and a shutoff valve downstream (no hydrostatic relief valve required; swing check will open and allow backflow at minimal differential pressure).
- Valve can be closed by simply pushing the operating lever down; it is not necessary to trip the close trigger.
- Temperature range of -40°F to +165°F (-40°C to +73°C)
- MAWP: 400 PSIG(27 Bar)

Sturdy Rugged Construction

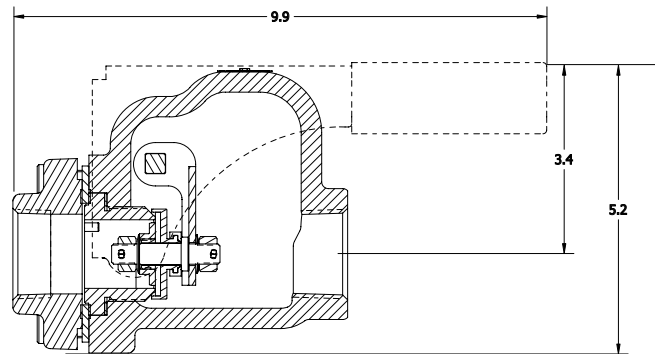
- Will withstand hydraulic shock of sudden closings, piping strains, and temperature variations.
- Valve has only two moving parts, stem and close/thermal trigger.
- **A6010** is UL listed for use in LP-Gas as an emergency and operating shut-off valve.
- Stem seals are spring loaded for leak free performance at low temperatures/pressures.
- Seat Disc is retained by a metal seat to minimize leakage in case of direct fire impingement.
- Quick closing regardless if the pump is running or not.

Materials

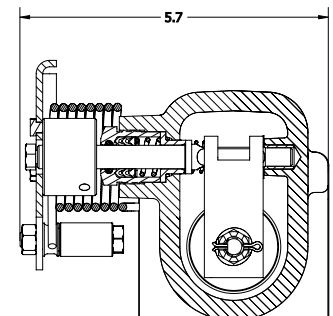
Body Ductile Iron Clad Plated
 Stem Stainless Steel
 Seat Stainless Steel
 Seat Disc High Temperature FKM (6010 only)
 Seat Disc Synthetic Rubber (AA6010 only)
 Springs Stainless Steel
 Gaskets Teflon



A6010



6016-60D



6016RA



6016-60C



Pneumatic Actuator Specifications (Sold Separately)

Part Number	Operating Pressure in PSIG
6016-60D	40 - 120
6016-60C	25-120
6016OA	

Ordering Information

Part Number	Seat	Inlet and Outlet Connections	Accessories				Liquid Flow Capacity @ 10 PSIG Pressure Drop (GPM)
			Remote Pneumatic Close	Remote Pneumatic Open/Close	Rotary Actuator	Electric Actuator	
VA6010	FKM	1¼" F. NPT	6016-60D	6016-60C	6016OA	A6016EA	259 (LP-Gas)
A6010	Buna-N	1¼" F. NPT					233 (NH ₃ or LP-Gas)

3/4" & 1" Swing-Check Emergency Shutoff Valves (ESV) For Small Pipe Installations A6006 & A6008 Series

Application

The A6006 & A6008 series are designed for installation in liquid transfer lines at LP-Gas fueling stations or other small pipe installations. These valves provide for quick shut-off of flow in the event of an accidental line break or hose rupture. These ESVs also utilize a thermal fuse assembly that will shut-off flow in case of fire.

Features & Benefits

- Meets NFPA 58 and UL requirements
- Fusible element is located in the thermal fuse assembly, which acts at the latch open and close trigger. When exposed to fire, the element melts at 212° F, (100° C,) allowing the shaft to return to the closed position.
- Valve can be closed by remote cable or pneumatic actuator.
- Valve can be closed by simply pushing the operating lever down; it is not necessary to trip the close trigger.
- Sturdy Rugged Construction
- Will withstand hydraulic shock of sudden closings, piping strains, and temperature variations.
- Valve has only two moving parts: stem and close/thermal trigger.
- A6006 and A6008 are UL listed for use in LP-Gas and NH3 as an emergency and operating shut-off valve.
- Stem seals are spring loaded for leak free performance at low temperatures/pressures.
- Seat Disc is retained by a metal seat to minimize leakage in case of direct fire impingement.
- Cannot trap liquid between the outlet of the valve and a shutoff valve downstream (no hydrostatic relief valve required; swing check will open and allow backflow at minimal differential pressure).
- Quick closing regardless if the pump is running or not.
- Temperature range of -40°F to +165°F (-40°C to +73°C)
- MAWP: 400 PSIG(27 Bar)

Materials

Body Ductile Iron Cad Plated
 Stem Stainless Steel
 Seat Disc Nitrile
 Springs Stainless Steel
 Packing Teflon

Pneumatic Actuator Specifications (Sold Separately)

Part Number	Operating Pressure in PSIG
A6000-60D	40 - 120
60160A	25-120

Ordering Information

Part Number	Seat	Inlet and Outlet Connections	Accessories			Liquid Flow Capacity @ 10 PSIG Pressure Drop (GPM)
			Remote Pneumatic Close	Rotary Actuator	Cable Release Close	
A6006	Nitrile	3/4" F. NPT	A6000-60D*	60160A	A6000TFA**	54 (LP-Gas) 49 (NH3)
A6008		1" F. NPT				120 (LP-Gas) 108 (NH3)

*Must be ordered separately

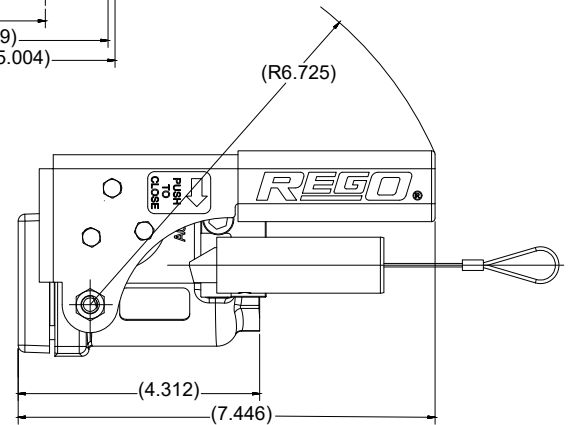
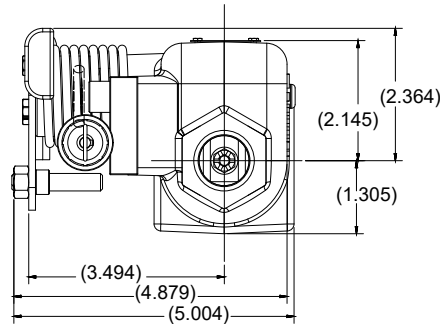
**Equipped standard on valve assembly



A6008



A6000-60D



Flanged ESVs for Bulk Plants FA6010, FA6016 and FA6024

Application

Designed for installation in liquid transfer lines at LP-Gas or Anhydrous Ammonia bulk plants to provide for quick shut-off of liquid or vapor flow in the event of an accidental pull-away, line break, or hose rupture.

Features

- Fusible Element is located in the thermal fuse assembly which acts at the latch open and close trigger. When exposed to fire, the element melts at 212° F allowing the shaft to return to the closed position.
- Valve can be opened by use of operating lever, if a pneumatic actuator is used it will open with the actuator.
- Valve can be closed by remote cable or pneumatic actuator.
- Valve can be closed by simply pushing the operating lever down. It is not necessary to trip the close trigger.
- Seat Disc is retained by a metal seat to minimize leakage in case of direct fire impingement.
- Cannot trap liquid between the outlet of the valve and a shutoff valve downstream (no hydrostatic relief valve required; swing check will open and allow backflow at minimal differential pressure).
- Quick closing regardless if the pump is running or not.
- Temperature range of -40°F to +165°F (-40°C to +73°C)
- MAWP: 400 PSIG(27 Bar)

Sturdy Rugged Construction

- Will withstand hydraulic shock of sudden closings, piping strains, and temperature variations.
- Valve has only two moving parts, stem and close/thermal trigger.
- UL listed for use in LP-Gas as an emergency and operating shut-off valve.
- Stem seals are spring loaded for leak free performance at low temperatures/pressures.

Materials

Body	Ductile Iron Cad Plated
Stem	Stainless Steel
Seat	Stainless Steel
Seat Disc (FVA6010/16/24)	High Temperature FKM
Seat Disc (FA6010/16/24)	Nitrile
Springs	Stainless Steel
Stem Seals	Teflon

Pneumatic Actuator Specifications (Sold Separately)

Part Number	Operating Pressure in PSIG
FA6016-60D	40 - 120
6016-60C	25-120
6016OA	

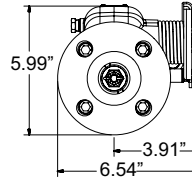
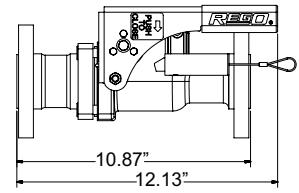
Ordering Information

Part Number	Seat	Inlet and Outlet Connections	Liquid Flow Capacity at 10 PSIG Drop (GPM)	Accessories			
				Remote Close Pneumatic	Remote Open/Close Pneumatic	Remote Open/Close Rotary	Electric Actuator
FVA6010	FKM	1¼" - 300# ANSI RF Flange	233 (NH3)	FA6016-60D	*	6016OA	A6016EA
FA6010	Buna-N	1¼" - 300# ANSI RF Flange	259 (LP-Gas)				
FVA6016	FKM	2" - 300# ANSI RF Flange	640 (NH3)		6016-60C		
FA6016	Buna-N	2" - 300# ANSI RF Flange	711 (LP-Gas)				
FVA6024	FKM	3" - 300# ANSI RF Flange	1173 (NH3)		1325 (LP-Gas)		
FA6024	Buna-N	3" - 300# ANSI RF Flange	1325 (LP-Gas)				

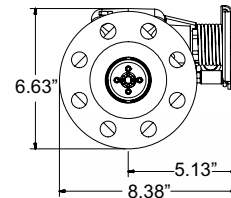
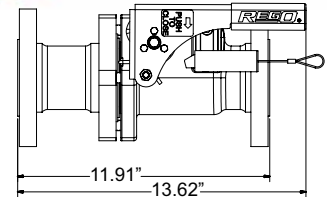
* Not Available



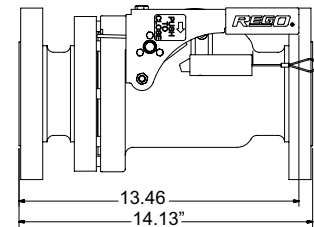
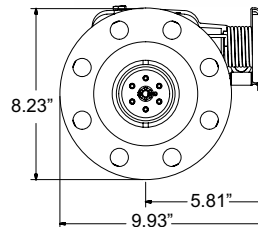
FA6010



FA6016



FA6024



ESV Pneumatic Controls

Application

RegO Emergency Shut-Off Valves modified for remote pneumatic shutdown operation retain all the operating features of the standard valves.

Once equipped with pneumatic cylinders and then pressurized, the pneumatic cylinder piston rod disengages from a striker plate, allowing the ESV to be manually opened and the striker plate to act as a latch and hold the valve open. Release of the control system pressure for any reason closes the ESV for fail-safe operation.

Features

Convenience

- Closes the liquid and vapor ESV from a convenient remote location.
- Independent closed loop system allows the ESV to be pneumatically charged, but opened or closed manually or with cable controls to conserve pressurized gas.

Reliability

- Independent closed loop system will continue to hold pressure and close ESV in an emergency - even if supply pressure is cut off.

Security

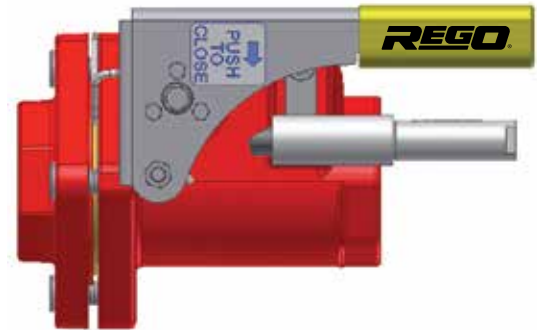
- Any loss of pressure from the control line, such as accidents or the line melting from fire, automatically shuts down the liquid and vapor ESV.
- ESV must be reset after automatic shutdown.



A3219TF25



A3219TF



A6016 with 6016-60D Remote Close Actuator



6016PN-50 Pneumatic Remote Control Kit

Control kit with components for connecting and charging the pneumatic controls from a source of compressed gas (air or nitrogen) to a RegO liquid or vapor ESV. Includes charging valves with low pressure indicator, operating valves, 100 feet of 1/4" plastic tubing and tube fittings.

Ordering Information

Part Number	Description
6016-60D	Cylinder assembly kit to convert 6016 ESVs to pneumatic shutdown.
6016PN-50	Pneumatic remote shutdown system kit, complete with 100' of tubing, fittings, 1 charging valve assembly and 1 remote shutdown valve assembly
6016PN-80	Bypass kit for pneumatic actuators.
7605A-BT	100' roll of 1/4" pneumatic tubing.
7605AP-16	1/4" tubing tee, with nuts.
7605AP-15	1/8" NPT x 1/4" tubing, straight connector.
6016RM	Remote Close Cable Kit
A3219TF	3/8" F. NPT 212°F Thermal Fuse Plug
A3219TF25	1/4" F. NPT 212°F Thermal Fuse Plug

Hydraulic Automatic Cylinder Filling System

Application

Designed to provide accurate, economical filling of LP-Gas, DOT and fork lift cylinders by weight. Filling stops automatically as the total weight of the cylinder reaches the amount pre-set on the scale. One individual can efficiently handle up to four cylinder filling operations simultaneously to maximize profits, increase efficiency and allow servicing of more customers.

The RegO automatic cylinder filling system is designed for use with these scales only:

FAIRBANKS-MORSE SCALES

New Style - 1280A Double Beam Scale or Single Beam Scales 1124A and 1174A.

Old Style - 1280 Double Beam Scale or Single Beam Scale 1123 with or without Howe No. 12108 "Over or Under" Indicator.

HOWE SCALES

(with or without Howe No. 8325 Balance Indicator)

—No. 54X Wood Pillar and Shelf Scale.

—No. 57 Steel Pillar and Shelf Scale (single beam).

—No. 57X Steel Pillar and Shelf Scale (double beam).

Features

- Completely self-contained with no electrical source or wiring required.
- Works hydraulically, like brakes on a car.
- Filling stops automatically when cylinders reach pre-set weight.
- Up to four stations can be handled by one individual.

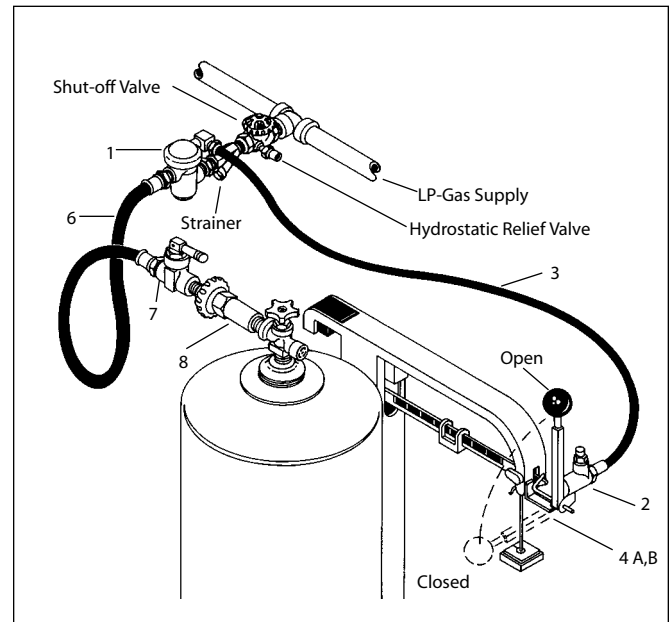
How It Works

The scale beam weight is adjusted to the desired filled weight and the empty cylinder is placed on the scale. The loading hose is connected to the cylinder valve, and the lever on the master cylinder is moved to the vertical position. When the quick-acting valve on the loading hose is opened, the cylinder will rapidly fill. The master cylinder lever is designed to trip, move to a horizontal position and automatically shut off the control valve as soon as the scale reaches the pre-set filled weight.

Components may be ordered separately with piping done by the installer. Two completely assembled manifold configurations are also available.



**Hydraulic self-contained system.
No external power required.**



Ordering Information

Hydraulic System Components

Key No.	Description	Size	Part No.
2	Master Cylinder, with Actuator Lever	1/8" NPT Hydraulic Connection	7188
3	Hydraulic Hose Assembly	3/16" I.D. with 1/8" NPT Male Ends, 43 1/2" Overall Length	7194-1
1-3	Valve, Cylinder and Hose Assembly for Fairbanks-Morse Scales	-	7188MS
4A	Bracket Kit for Fairbanks Morse Scales, Complete with Screws, Washers, Nuts and Instructions	-	7194M-3A
4B	Bracket Kit for Howe Scales, Complete with Screws, Washers, Nuts and Instructions	-	7194H-3
5	Can of Hydraulic Fluid, Complete with Filling Spout	1 1/2 ounce	7188-21
6	Propane Filling Hose Assembly	1/2" I.D., with 1/2" NPT Male Ends, 50 1/2" Overall Length	7193D
7	Quick-acting Shut Off Valve	1/2" NPT Inlet X 1/4" NPT Outlet	7901TB
8*	Soft Nose Cylinder Connector	1/4" NPT Male X POL Male	7193D-10L

3" Heavy Duty Swing Check with Flow Indicator A7624

Application

This back check valve is designed to provide required back flow protection for the unloading riser in the bulk plant's transfer area. It is designed specifically for pipeline installation and is suitable for LP-Gas and anhydrous ammonia service. Product flow moves the swing check to the open position, when flow stops the spring loaded swing check closes.

Features

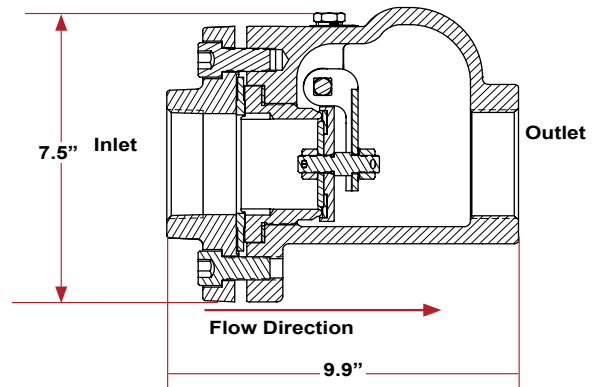
- Easy-to-read flow indicator
- Heavy duty spring loaded swing check design
- Resilient synthetic rubber seat disc
- High flow rates with low pressure drop
- May be installed either horizontally or vertically
- 1/4" F.NPT plugged boss on top of body
- Temperature range of -40°F to +165°F (-40°C to +73°C)
- MAWP: 400 PSIG(27 Bar)

Materials

Body Ductile Iron
 Stem Stainless Steel
 Seat Stainless Steel
 Seat Disc Resilient synthetic rubber
 Return Spring Stainless Steel



A7624



Ordering Information

Part Number	For Use With:	Inlet & Outlet Connections	Liquid Capacity at 10 PSIG Drop GPM
A7624	LPG & NH3	3" F.NPT	1325-GPM(LPG) 1173-GPM(NH3)

2" Heavy Duty Swing Check with Flow Indicator A7616

Application

This back check valve is designed to provide required back flow protection for the unloading riser in the bulk plant's transfer area. It is designed specifically for pipeline installation and is suitable for LP-Gas and anhydrous ammonia service. Product flow moves the swing check to the open position, when flow stops the spring loaded swing check closes.

Features

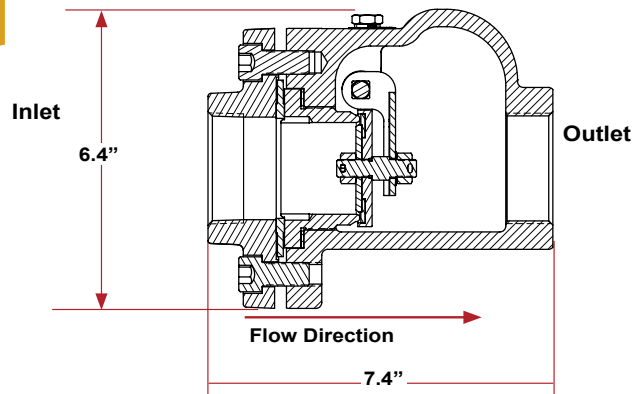
- Easy-to-read flow indicator
- Heavy duty spring loaded swing check design
- Resilient synthetic rubber seat disc
- High flow rates with low pressure drop
- May be installed either horizontally or vertically
- 1/4" F.NPT plugged boss on top of body
- Temperature range of -40°F to +165°F (-40°C to +73°C)
- MAWP: 400 PSIG(27 Bar)

Materials

Body Ductile Iron
 Stem Stainless Steel
 Seat Stainless Steel
 Seat Disc Synthetic Rubber
 Return Spring Stainless Steel



A7616



Ordering Information

Part Number	For Use With:	Inlet & Outlet Connections	Liquid Capacity at 10 PSIG Drop GPM
A7616	LPG & NH3	2" F.NPT	711-GPM(LPG) 640-GPM(NH3)

Sight Flow Indicators for Bulk Plants A7794 and A7796

Application

Designed to promote maximum pump efficiency, these indicators enable bulk plant operators to visually inspect liquid flow conditions. With glass on both sides of the indicator, flow can be observed from either side, even under some poor light conditions. The integral swing check also serves as a back-check valve to prevent reverse flow and product loss if the hose fails in a loading operation.

By installing an indicator on the upstream side of the plant pump, suction conditions can be observed and the pump speed adjusted to obtain the maximum possible flow rate without cavitation. Additionally, if an indicator is installed in the piping at the loading rack, just ahead of the loading hose, the operator can maintain a constant check on pump conditions.

Both installations are designed to allow for observation to provide maximum pump efficiency and ensure safe plant pump operation.

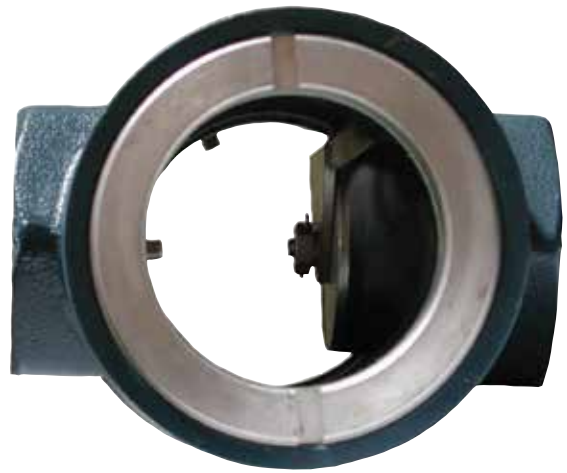
In compressor operations a sight flow indicator installed in the liquid line will give a visual indication when the tank car or transport is emptied. Compressor operation can then be immediately reversed to start recovery of the vapor.

Features

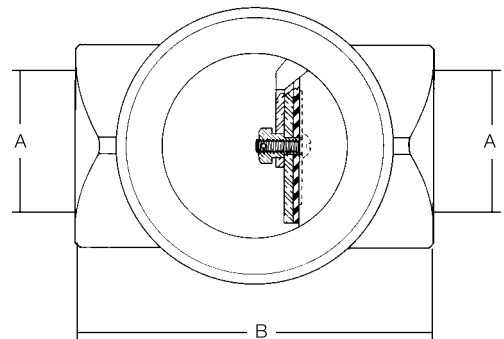
- Durable ductile iron body ensures long, trouble-free operation with design working pressure of 400 PSIG.
- Glass is polished, ground and tempered after fabrication for maximum strength up to 2,500 PSIG.
- Set screws minimize loosening of glass retainer rings.
- Plugged 1/4" NPT boss allows for a pressure gauge to be installed.
- O-ring glass seals provide for leak-tight operation.
- Temperature range of -40°F to +165°F (-40°C to +73°C)
- MAWP: 400 PSIG(27 Bar)

Materials

Body Ductile Iron
 Swing Check..... Stainless Steel
 Check Seat Disc..... Resilient Synthetic Rubber
 Glass Polished, Ground, Tempered and tested to 2,500 PSIG



A7794



Ordering Information

Part Number	A Inlet/Outlet Connections	B Length
A7794	2" F. NPT	5 1/4"
A7796	3" F. NPT	7 3/8"

Presto-Tap® Universal Service Tech Diagnostic & Leak Test Kit for All Stages of the Gas System PTU-KIT

Application

Kit with gauges for obtaining pressure readings and leak testing at tank pressure, first stage, two pound and low pressure (0-20 OZ) locations.

Features & Benefits

- PT6800 KGA w/adapter – 300 pound ambient temperature gauge used for leak testing at tank pressure with Presto-Tap® pigtails, TPF fittings and RegO “READY to GO” series valves.
- PT30- KGA w/adapter – 30 pound gauge for determining lock up and flow of first stage regulators along with leak testing.
- PT5-KGA - w/adapter 5 pound gauge for determining lock up and flow in 2 pound systems.
- PTOZ-KGA w/adapter – 0035-inch water column (0-20OZ) gauge for measuring second stage regulator lock up and flow along with low pressure leak testing.
- MHA-KIT – Adapter to facilitate use of water manometers and Helix gauges.
- 316AHW Allen/ Hex key – for plug removal in regulators.
- RCW716 Ratcheting wrench for plug removal and installing Presto-tap® LDS2000/RV fittings.
- PTFLEX-KIT - 36” Flexible hose with gauge bleeder and adapters utilized to universally connect all gauging equipment included and Presto-Tap ® LDS2000/RV fittings.
- LDS2000/RV – (6) UL Listed fittings with #54 orifice legal installed at any point in the system.
- KIT BAG- 12” Denier Nylon tool bag with 8 outer pockets and 15 inner pockets.



PTU-KIT

Materials

PT6800 KGA w/adapter.....	Stainless Steel- Brass
PT30- KGA w/adapter	Stainless Steel- Brass
PT5-KGA - w/adapter	Steel- Brass
PTOZ-KGA w/adapter	Steel- Brass
MHA-KIT	Brass
3/16 Allen/ Hex key.....	Steel
7/16 Ratcheting wrench.....	Steel
PTFLEX-KIT	Brass/Composite
LDS2000/RV.....	Brass
KIT BAG	Denier Nylon



Ordering Information

Part Number	Description
PTU-KIT	Universal Service Tech Diagnostic & Leak Test Kit for All Stages of the Gas System

Presto-Tap® Pressure Gauge with Glow in the Dark 3.5" Display PTCA-KGA Series

Application

These larger gauges with glow-in-the-dark display are designed for use with our Presto-Tap® leak detection system for better visibility in low light areas and after hours service calls.

Features & Benefits

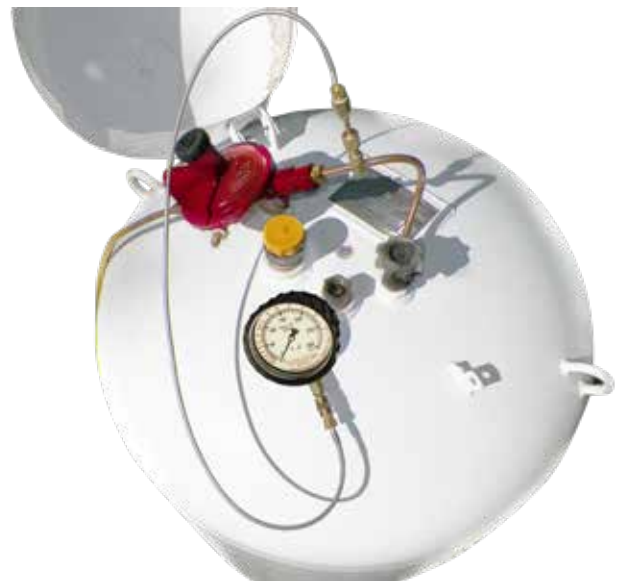
- 40% larger face is easier to read and more accurate due to larger spacing between the graduations
- The luminescent, glow-in-the-dark face is easier to read in low light conditions.
- Includes protective cover and a magnet for attaching directly to the tanks while you conduct the leak test.



PTCA-KGA Series



Glow in the Dark Display



Ordering Information

Part Number	Pressure Range	Connection	Magnet	Rubber Cover	Accessories(must be ordered separately)	
					36" Flexible Hose w/ quick connect adapter	12" Rubber Hose w/ quick connect adapter
PT30CA-KGA	0 to 30 PSIG	¼" M. Flare	Yes	Yes	PTFLEX-KITP	PTH-KITP
PT6800CA-KGA	0 to 300 PSIG					

Hose End Adapters for DOT Cylinder Filling 7193D-10 and 7193U-10

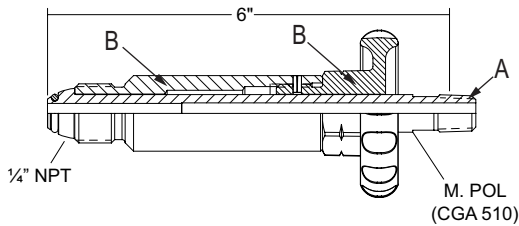
Application

Designed to provide quick and easy filling of DOT cylinders with POL or Type I connections. This adapter may be used with hydraulic and electric automatic systems or with manual systems in conjunction with a RegO 7901TB Quick Acting Shut-Off Valve.

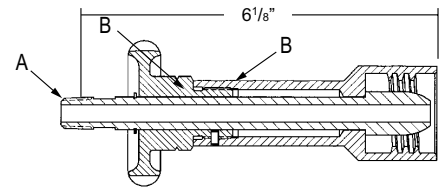
These filling connectors have an extended connection on the handwheel, which makes it possible to connect the loading hose to valves on cylinders with fixed collars. The handwheel is well outside the collar for easy operation.

Features

- Temperature range of -40°F to +165°F (-40°C to +73°C)
- MAWP: 250 PSIG(17 Bar)



7193D-10



7193U-10



Ordering Information

Part Number	Applications	Inlet Connection	Outlet Connection	Materials	
				"A" Nipple	"B" Handwheel Adapter
7193D-10	Filling of DOT Cylinders with POL Connections	1/4" M. NPT	M. POL (CGA 510)	Stainless Steel	Brass
7193U-10	Filling of DOT Cylinders with Type I Connections		Type 1 Connection (1 5/16" F. ACME)	Brass	
7193U-10S			Stainless Steel		

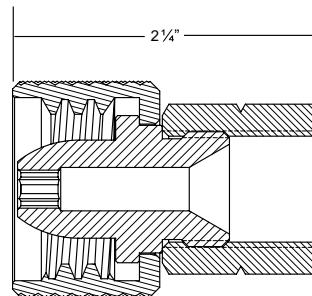
Connector for DOT Cylinder Filling Adapter 7193T-10

Application

The 7193T-10 Connector is designed for use on the 7193D-10 Filling Adapters. Connector allows quick connection to the Type I 1 5/16" M. ACME threads for operators that fill both POL and Type I valves.

Features

- Temperature range of -40°F to +165°F (-40°C to +73°C)
- MAWP: 250 PSIG(17 Bar)



7193T-10

Ordering Information

Part Number	Applications	Inlet Connection	Outlet Connection	Materials
7193T-10	Converts 7193D-10 Adapters from POL to a Type 1 Connection	F. POL CGA 510	Type 1 Connection (1 5/16" F. ACME)	Brass

Patented Low Emission Hose End Safety Adapter 7193D-10L

Application

Low Emission Adapter (1.18 cc at disconnect) designed to provide quick and easy filling of DOT cylinders with POL connections with minimal release of product on disconnect. This adapter may be used with dispensing systems in conjunction with RegO 7901T Series Quick Acting Shut-Off Valve. Balanced, light weight design for filling into 20 # - 200 # cylinders.

Features

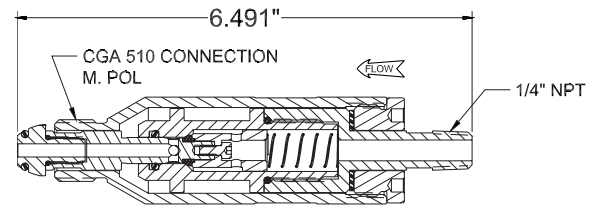
- Meets CARB Low Emission Standards.
- Light weight, easy-to-use.
- Soft Nose M.POL connection.
- Redundant Safety Feature – will only open when connected to valve.
- Temperature range of -40°F to +165°F (-40°C to +73°C)
- MAWP: 400 PSIG(27 Bar)

Materials

BodyBrass – Knurled
 ShaftStainless Steel – ¼" M.NPT x M.POL (CGA 510)
 O-RingSynthetic Rubber



7193D-10L Series



Ordering Information

Part Number	Application	Inlet Connection	Outlet Connection	Materials
7193D-10L	Filling of DOT cylinders with POL Connections	¼" M. NPT	M. POL (CGA 510)	Brass & Stainless Steel

Patented Low Emission Hose End Safety Adapter 7193U-10L

Application

Low Emission Adapter (1.18 cc at disconnect) designed to provide quick and easy filling of DOT cylinders with Type 1 connections with minimal release of product on disconnect. This adapter may be used for dispensing systems in conjunction with RegO 7901T Series Quick Acting Shut-Off Valve. Balanced, light weight design for filling into 20 # - 200 # Cylinders

Features

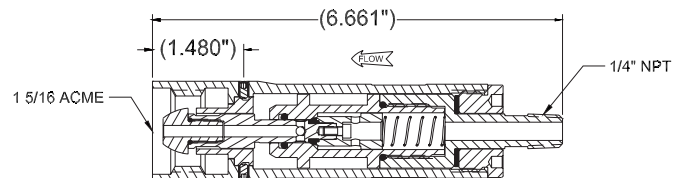
- Meets CARB Low Emission Standards
- Light weight, easy-to-use type 1 Fitting
- Liquid release directed away from operator
- Redundant Safety Feature – will only open when connected to valve.
- Temperature range of -40°F to +165°F (-40°C to +73°C)
- MAWP: 400 PSIG(27 Bar)

Materials

BodyBrass - Knurled
 ShaftStainless Steel – ¼" M.NPT x Type 1 (15/16" M. ACME)
 O-RingSynthetic Rubber



7193U-10L Series



Ordering Information

Part Number	Application	Inlet Connection	Outlet Connection	Materials
7193U-10L	Filling of DOT cylinders with Type 1 Connections	¼" M. NPT	Type 1 Connection (1 ⁵ / ₁₆ " F. ACME)	Brass

Hose End Adapter for Lift Truck Cylinder Filling

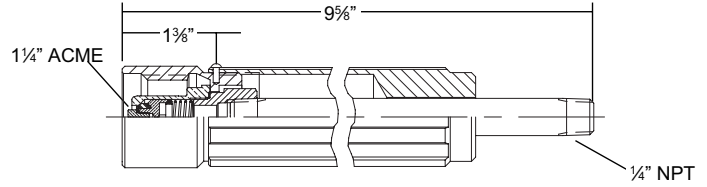
7193L-10A

Application

The 7193L-10A is designed to provide quick and easy attachment of the filling hose to DOT cylinders equipped with RegO 7141M check connectors.

The 1¼" ACME outlet threads facilitate rapid make-up. When connected, back-checks in the adapter and check connector automatically open. Low pressure drop between the two ensures high filling rates. An integral check closes when disconnected, eliminating the need to close any valves manually to disconnect the charging hose.

Because a leak-tight seal is formed before the integral check opens or closes, product loss is kept to an absolute minimum when connecting or disconnecting the loading hose.



7193L-10A

Ordering Information

Part Number	Application	Inlet Connection	Outlet Connection	Body Material	Accessories
					Adapter
7193L-10A	Filling of Fork Lift Cylinders*	¼" M. NPT	1¼" F. ACME	Brass	5760A

*The 7193L-10A is intended to be permanently attached to the filling hose.

A 5760A adapter enables the 7193L-10A to be attached to the POL connection on the 7193D-10 at regular cylinder filling stations to allow for occasional filling of fork lift cylinders.

Combination Valve for Bulk Storage Containers A2805C

Application

Designed for installation on bulk storage containers, this valve combines a pressure gauge mounting and provision for a fixed tube liquid level gauge.

The shut-off valve prevents the pressure gauge from being subjected to constant pressure, thereby prolonging its life and accuracy. The valve may be closed, and the vent valve opened to vent pressure from the gauge to permit replacement.

For fixed liquid level gauging, the valve can be mounted at the maximum permitted filling level. When equipped with a dip tube threaded 1/8" M.NPT, it can be installed at any convenient level.

Features

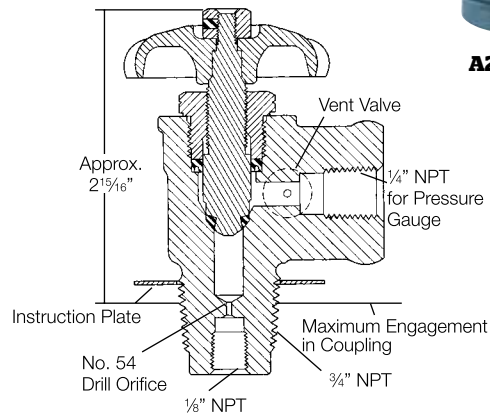
- Temperature range of -40°F to +165°F (-40°C to +73°C)
- MAWP: 400 PSIG(27 Bar)

Materials

Body A2805C.....	Ductile Iron
Bonnet	Steel
Valve Stem	Stainless Steel
Vent Stem	Stainless Steel
Valve Stem Seal	Resilient Synthetic Rubber
Vent Seal	Resilient Synthetic Rubber
Valve Seat	Nylon



A2805C



Ordering Information

Part Number	Container Connection	Service Connection	Liquid Level Vent
A2805C	3/4" M. NPT	1/4" F. NPT for Gauge Mounting	Tee Handle

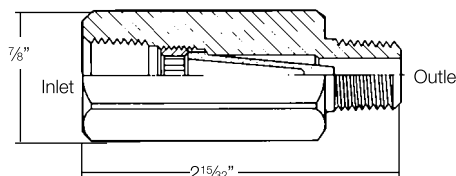
*Has 1/8" F. NPT opening for installing separate dip tube.

J

Gritrol Fuel Line Filters 12802

Application

Designed especially for use in liquid motor fuel lines to trap foreign material which otherwise may damage precision components in the LP-Gas carburetion system. These filters incorporate an integral sintered metal filter element in a straight through design.



12802

Ordering Information

Part Number	Inlet Connection	Outlet Connection
12802	1/4" F. NPT	1/4" M. NPT

Vent Valves 3165C, 3165D, and TSS3169

Application

Especially designed to bleed off liquid or vapor pressures trapped in transfer lines. When installed in the downstream boss of RegO globe and angle valves used at the end of a liquid transfer hose, the bleeder valve allows for the controlled venting of the product and indicates to the operator that the valves are closed and he can disconnect the coupling. They may also be used as a fixed liquid level gauge where the dip tube is part of the container.

The 3165C, and TSS3169 incorporates a No 54 drill size orifice. The 3165D incorporates a No 72 drill size orifice.

An optional instruction plate with "Stop Filling When Liquid Appears" may be ordered for use with these valves.

Features

- Temperature range of -40°F to +165°F (-40°C to +73°C)
- MAWP: 400 PSIG(27 Bar)

Materials

Body (3165).....	Brass
Body (TSS3169).....	Stainless Steel
Seat Disc (3165).....	Resilient Synthetic Rubber
Seat Disc (3169).....	Teflon

Ordering Information

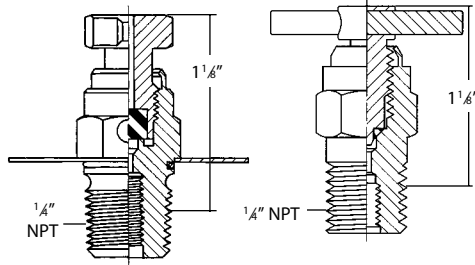
Part Number	Service	Connection	Actuation	Accessories
				Warning Plate Kit
3165C	LP-Gas Only	¼" M. NPT	Ribbed	2550-40P
3165D			Tee Handle	
TSS3169	LP-Gas & NH ₃			



3165C



TSS3169



Fixed Liquid Level Gauges 3165 Series and TA3169F

Application

Especially designed to provide a visible warning when containers are filled to the maximum permitted filling level. At the start of the filling operation, with the vent stem opened, the valve discharges vapor. When the maximum permitted filling level is reached, the valve discharges liquid. The 3165CF*, 3165CF12.0, and TA3169F12.0 incorporate a No 54 drill orifice; the 3165DF* and 3165DF12.0 incorporate a No 72 drill orifice. They all are normally furnished with a 12" 3/16" OD dip tube.

An optional instruction plate with "Stop Filling When Liquid Appears" may be ordered for use with these valves.

Features

- Temperature range of -40°F to +165°F (-40°C to +73°C)
- MAWP: 400 PSIG(27 Bar)



3165CF12.0
3165DF12.0

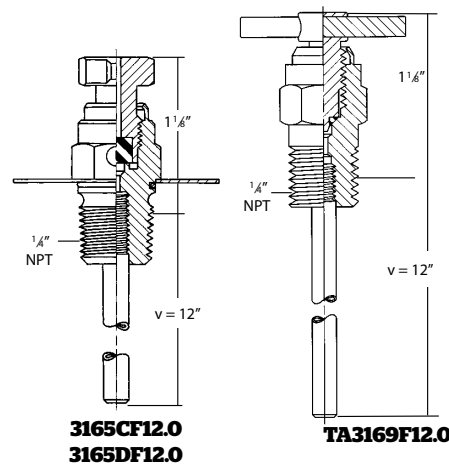


TA3169F12.0



Materials

Body (3165).....	Brass
Body (TA3169).....	Stainless Steel
Seat Disc (3165).....	Resilient Synthetic Rubber
Seat Disc (TA3169).....	Teflon



Ordering Information

Part Number	Service	Connection	Actuation	Dip Tube Length	Accessories
					Warning Plate Kit
3165CF*	LP-Gas Only	¼" M. NPT	Ribbed	*	2550-40P
3165DF*					
3165CF12.0					
3165DF12.0					
TA3169F12.0	LP-Gas & NH ₃		Tee Handle	12"	

Spanner Wrench for ACME Connectors 3195-50

Application

This aluminum spanner wrench is especially designed for use with 2¼" and 3¼" ACME couplings, adapters and caps.



3195-50

Ordering Information

Part Number	For Use With ACME Connector Size
3195-50	2¼" & 3¼"

Needle Valves 1224, 1316 and 1318

Application

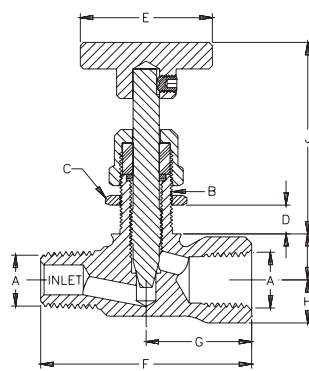
These valves are high quality, "true" throttling valves. Unlike most so-called needle valves, both the body seat and stem are tapered to provide fine, precise control over a wide range of adjustment without stem galling.

The 1224 may be used as a small, inexpensive shut-off valve between a pressure gauge and bulk storage container to allow for convenient gauge replacement.

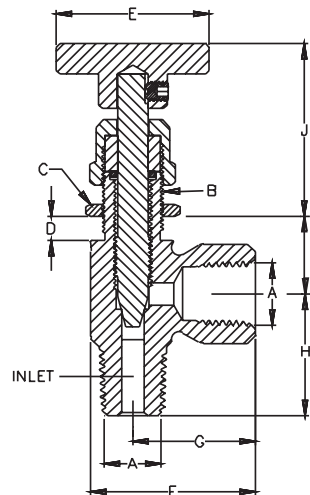
The 1316 and 1318 provide taper pipe thread by left hand hose connection threads and are useful in a wide range of torch and fuel burner applications where an accurate throttling action is required.



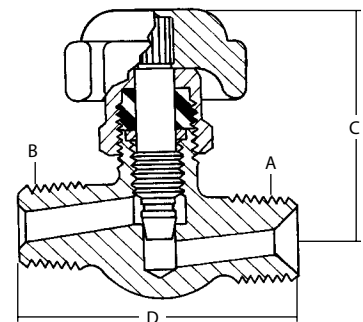
1224



MFG Series



MFA Series



Ordering Information

Part Number	Body Orientation	Body Material	A. Inlet Connection	B. Outlet Connection	C. Height	D. Length
1224WA	Straight	Brass	¼" M. NPT	¼" M. NPT	1 ⁹ / ₁₆ "	1¾"
1316WA			9/16" - 18 L.H.	1/8" M. NPT		
1318WA				¼" M. NPT		
MFG250BF	Angle	Stainless Steel	¼" M. NPT	¼" F. NPT	2 ¹⁹ / ₃₂ "	2"
MFA250B						1 ¹¹ / ₃₂ "
MFA25BSS						

Pressure Gauges

Application

Especially designed in a variety of sizes and construction for the LP-Gas and anhydrous ammonia industry.



612-PG

Ordering Information

Part Number	Service	Case Material	Maximum Pressure	Inlet Connection M.NPT	Case Size	Increment Divisions
2411	LP-Gas Only	Brass	30 PSIG	1/4"	2"	1/2 PSI
948			300 PSIG		2"	5 PSI
612-PG	LP-Gas Only	Steel	0-300 PSIG	1/8"	1 1/2"	30 PSI

J

Pressure Gauges Snubber 948GS

Application

Pressure snubbers protect your pressure gauge from pressure spikes, surges and damaging pulsation. Snubbers extend the life of your pressure gauges because they protect the internal components from seeing harsh spikes and surges that could cause.



948GS

Ordering Information

Part Number	Service	Body Material	Inlet Connection M.NPT	Outlet Connection F.NPT
948GS	LP-Gas Only	Brass	1/4"	1/4"

Repair Kits

Part Number	Repair Kit	Kit Contents	Product Type
901 Series	903-50	Service Valve: Bonnet stem seat disc assembly; large hand-wheel; self-tapping screw ..	Cylinder/Service Valve
	903-51	Service Valve: Bonnet stem seat disc assembly; small hand-wheel; self-tapping screw ..	
A2141A6 Series	A2141A6-50	O-Ring seal for female connector	Pull Away Valves
	A2141A6M	Male Connector	
A2141A8 Series	A2141A8-50	O-Ring seal for female connector	
	A2141A8M	Male connector	
A2141A10	A2141A10-50	O-Ring seal for female connector	
A2141A16	A2141A16-50	O-Ring seal for female connector	
	A2141A16M	Male connector	
3121	3121-50	Hand wheel; screw; o-rings(2); bonnet gasket; bleeder stem	
A3209D/DT Series	A3209D-50	Wear button; retaining ring; main stem bearing; washer; jam ring pressure seal rings (2); main stem retaining ring; hex screw; poppet assembly; seat disc	Internal Valves
	A3209D-50T	Torsion Spring & Washer	
	A3209R-80	Pivot Shaft Repair Kit.. Friction washer, jam ring, pressure seal ring(2) & o-ring	
A3211D/DT Series	A3211D-50	Wear button; retaining ring; main stem bearing; washer; jam ring pressure seal rings (2); main stem retaining ring; hex screw; poppet assembly; seat disc	
	A3209D-50T	Torsion Spring & Washer	
	A3209R-80	Pivot Shaft Repair Kit.. Friction washer, jam ring, pressure seal ring(2) & o-ring	
A3212R/RT Series	A3212R-50	Gasket; spring; seal housing gasket; jam ring; pressure seal ring (2); o-ring; retaining ring; wear button & poppet	
	A3212A-80	Pivot Shaft Repair - Jam ring, Pressure seal ring (2) & o-ring	
	A3212R-N105	Poppet Stem O-ring & Excess Flow Spring LPG 105 gpm half coupling 65 gpm full coupling (w/ nameplate A3212R-K105)	
	A3212R-N175	Poppet Stem O-ring & Excess Flow Spring LPG 175 gpm half coupling 100 gpm full coupling (w/ nameplate A3212R-K175)	
	A3212R-N250	Poppet Stem O-ring & Excess Flow Spring 250 gpm half coupling 130 gpm full coupling (w/ nameplate A3212R-K250)	
A3213D/DT Series	A3213R-50	Gasket; spring; seal housing gasket; jam ring; pressure seal ring (2); o-ring; retaining ring; wear button; poppet assembly; o-ring; roll pin & cotter pin	
	A3213A-80	Pivot Shaft Repair - Jam ring, Pressure seal ring (2) & o-ring	
	A3213D-K150	Retaining ring, lock nut, washer, o-ring & excess flow spring LPG 150 gpm half coupling 125 gpm full coupling	
	A3213D-K200	Retaining ring, lock nut, washer, o-ring & excess flow spring LPG 200 gpm half coupling 160 gpm full coupling	
	A3213D-K300	Retaining ring, lock nut, washer, o-ring & excess flow spring LPG 300 gpm half coupling 250 gpm full coupling	
	A3213D-K400	Retaining ring, lock nut, washer, o-ring & excess flow spring LPG 400 gpm half coupling 325 gpm full coupling	
A3217A	A3217A-80G	Gasket; spring; seal housing gasket; jam ring; pressure seal ring (2); o-ring; retaining ring; wear button; poppet assembly; o-ring; roll pin & cotter pin	
	A3217F-50	Gasket; spring; seal housing gasket; jam ring; pressure seal ring (2) & o-ring	
	A3217A-6	Stem and Linkage Repair Kit	
A3219FA	A3219FA-80G	Bumper; cotter pins (3); dirt seal; inner and outer stem bearing; lever release spring; main seat disc; poppet seat disc; pivot pin locknut; poppet bearing; seal gland gasket; seat seal o-ring; stem; jam ring; stem o-ring; stem seal rings (3); stop screws; upper and lower flange seal gaskets	

Repair Kits

Part Number	Repair Kit	Kit Contents	Product Type
A6006	A6008-50	Spring washer (2); gasket (main seat); gasket (flange); pressure seal ring (2); am ring; washer (teflon); spring; lock washer; rubber boot; o-ring; cotter pin (2)	ESV
	A6008-80	Pressure seal ring (2); jam ring; washer; spring (seal housing); o-ring	
	A6000-20	Torsional Spring, Adapter, Adapter Pin and handle assy	
A6008	A6008-50	Spring washer (2); gasket (main seat); gasket (flange); pressure seal ring (2); am ring; washer (teflon); spring; lock washer; rubber boot; o-ring; cotter pin (2)	
	A6008-80	Pressure seal ring (2); jam ring; washer; spring (seal housing); o-ring	
	A6000-20	Torsional Spring, Adapter, Adapter Pin and handle assy	
A6010	A6010-50	Spring washer (2); gasket (main seat); gasket (flange); pressure seal ring (2); am ring; washer (teflon); spring; lock washer; rubber boot; o-ring; cotter pin (2)	
	A6010-80	Pressure seal ring (2); jam ring; washer; spring (seal housing); o-ring	
	A6010-20	Torsional Spring, Adapter, Adapter Pin and handle assy	
VA6010	VA6010-50	Spring washer (2); gasket (main seat); gasket (flange); pressure seal ring (2); am ring; washer (teflon); spring; lock washer; rubber boot; o-ring; cotter pin (2)	
	A6010-80	Pressure seal ring (2); jam ring; washer; spring (seal housing); o-ring	
	A6010-20	Torsional Spring, Adapter, Adapter Pin and handle assy	
A6016	A6016-50	Spring washer (2); gasket (main seat); gasket (flange); pressure seal ring (2); am ring; washer (teflon); spring; lock washer; rubber boot; o-ring; cotter pin (2)	
	A6016-80	Pressure seal ring (2); jam ring; washer; spring (seal housing); o-ring	
	A6016-20	Torsional Spring, Adapter, Adapter Pin and handle assy	
VA6016	VA6016-50	Spring washer (2); gasket (main seat); gasket (flange); pressure seal ring (2); am ring; washer (teflon); spring; lock washer; rubber boot; o-ring; cotter pin (2)	
	A6016-80	Pressure seal ring (2); jam ring; washer; spring (seal housing); o-ring	
	A6016-20	Torsional Spring, Adapter, Adapter Pin and handle assy	
A6024	A6024-50	Spring washer (2); gasket (main seat); gasket (flange); pressure seal ring (2); am ring; washer (teflon); spring; lock washer; rubber boot; o-ring; cotter pin (2)	
	A6024-80	Pressure seal ring (2); jam ring; washer; spring (seal housing); o-ring	
	A6024-20	Torsional Spring, Adapter, Adapter Pin and handle assy	
VA6024	VA6024-50	Spring washer (2); gasket (main seat); gasket (flange); pressure seal ring (2); am ring; washer (teflon); spring; lock washer; rubber boot; o-ring; cotter pin (2)	
	A6024-80	Pressure seal ring (2); jam ring; washer; spring (seal housing); o-ring	
	A6024-20	Torsional Spring, Adapter, Adapter Pin and handle assy	

Repair Kits

Part Number	Repair Kit	Kit Contents	Product Type
6532A Series	19100-50B	Service Valve: Complete bonnet assembly; bonnet/stem; o-ring; hand-wheel; self tapping screw	Multivalve® assembly
	19104-50	Service Valve: Complete multibonnet assembly- bonnet assembly; hand-wheel; self tapping screw	
	6542B-50	Filler Valve: Gaskets; spring; spring guide; stem and seat disc assembly; upper body	
	6542B-80	Filler Valve: Gaskets; spring; spring guide; stem and seat disc assembly	
6532R Series	19104-50	Service Valve: Complete multibonnet assembly- bonnet assembly; hand-wheel; self tapping screw	
	19104-80	Service Valve: Multi-Bonnet Upper Packing Assembly	
	6542B-50	Filler Valve: Gaskets; spring; spring guide; stem and seat disc assembly; upper body	
	6542B-80	Filler Valve: Gaskets; spring; spring guide; stem and seat disc assembly	
6533A Series	19100-50B	Service Valve: Complete bonnet assembly; bonnet/stem; o-ring; hand-wheel; self tapping screw	
	19104-50	Service Valve: Complete multibonnet assembly- bonnet assembly; hand-wheel; self tapping screw	
	6542B-50	Filler Valve: Gaskets; spring; spring guide; stem and seat disc assembly; upper body	
	6542B-80	Filler Valve: Gaskets; spring; spring guide; stem and seat disc assembly	
6533R Series	19104-50	Service Valve: Complete multibonnet assembly- bonnet assembly; hand-wheel; self tapping screw	
	19104-80	Service Valve: Multi-Bonnet Upper Packing Assembly	
	6542B-50	Filler Valve: Gaskets; spring; spring guide; stem and seat disc assembly; upper body	
	6542B-80	Filler Valve: Gaskets; spring; spring guide; stem and seat disc assembly	
6542A Series	19100-50B	Service Valve: Complete bonnet assembly; bonnet/stem; o-ring; hand-wheel; self tapping screw	
	19104-50	Service Valve: Complete multibonnet assembly- bonnet assembly; hand-wheel; self tapping screw	
	6542B-50	Filler Valve: Gaskets; spring; spring guide; stem and seat disc assembly; upper body	
	6542B-80	Filler Valve: Gaskets; spring; spring guide; stem and seat disc assembly	

Repair Kits

Part Number	Repair Kit	Kit Contents	Product Type
6542R Series	19104-50	Service Valve: Complete multibonnet assembly- bonnet assembly; hand-wheel; self tapping screw	Multivalve® assembly
	19104-80	Service Valve: Multi-Bonnet Upper Packing Assembly	
	6542B-50	Filler Valve: Gaskets; spring; spring guide; stem and seat disc assembly; upper body	
	6542B-80	Filler Valve: Gaskets; spring; spring guide; stem and seat disc assembly	
6543A Series	19100-50B	Service Valve: Complete bonnet assembly; bonnet/stem; o-ring; hand-wheel; self tapping screw	
	19104-50	Service Valve: Complete multibonnet assembly- bonnet assembly; hand-wheel; self tapping screw	
	6542B-50	Filler Valve: Gaskets; spring; spring guide; stem and seat disc assembly; upper body	
	6542B-80	Filler Valve: Gaskets; spring; spring guide; stem and seat disc assembly	
6543R Series	19104-50	Service Valve: Complete multibonnet assembly- bonnet assembly; hand-wheel; self tapping screw	
	19104-80	Service Valve: Multi-Bonnet Upper Packing Assembly	
	6542B-50	Filler Valve: Gaskets; spring; spring guide; stem and seat disc assembly; upper body	
	6542B-80	Filler Valve: Gaskets; spring; spring guide; stem and seat disc assembly	
6555D Series	19100-50B	Service Valve: Complete bonnet assembly; bonnet/stem; o-ring; hand-wheel; self tapping screw	
	19104-50	Service Valve: Complete multibonnet assembly- bonnet assembly; hand-wheel; self tapping screw	
	8555-50	Filler Valve: Gaskets;spring;spring guide; stem & seat disc assembly; upper body	
	8555-80	Filler Valve: Gaskets;spring;spring guide; stem & seat disc assembly	
6555R Series	19104-50	Service Valve: Complete multibonnet assembly- bonnet assembly; hand-wheel; self tapping screw	
	19104-80	Service Valve: Multi-Bonnet Upper Packing Assembly	
	8555-50	Filler Valve: Gaskets;spring;spring guide; stem & seat disc assembly; upper body	
	8555-80	Filler Valve: Gaskets;spring;spring guide; stem & seat disc assembly	
L6579	L7579-51	Gaskets; spring; spring guide; stem and seat disc assembly; upper body	Filler Valve
	L7579-81	Gaskets; spring; spring guide; stem and seat disc assembly	
TA7034P/LP	TA7034-50	Gaskets; jam ring; o-ring; pressure seal rings; seat disc; washer	Globe/Angle Valve
7053T	7553T-50	Bonnet; gasket; lever assembly; seat retainer assembly; stem	Quick-Acting Valve
	7553T-80	Gasket; o-ring; seat disc	
7141M	7141M-50	Seat disc and retainer; gasket; o-ring; retaining ring	Adapters
7188	7188-50	Hydraulic fluid; o-rings; piston; spring; trip latch	
A7505AP	A7505-50	Gaskets; jam ring; o-ring; pressure seal rings; seat disc; washer	Globe/Angle Valve
	A7505A-20	Bonnet assembly	
TA7505AP	TA7034-50	Gaskets; jam ring; o-ring; pressure seal rings; seat disc; washer	
A7506AP	A7505-50	Gaskets; jam ring; o-ring; pressure seal rings; seat disc; washer	
	A7505A-20	Bonnet assembly	
TA7506AP	TA7034-50	Gaskets; jam ring; o-ring; pressure seal rings; seat disc; washer	
A7507AP	A7507-50	Gaskets; jam ring; o-ring; pressure seal rings; seat disc; washer	
TA7507AP	TA7507-50	Gaskets; jam ring; o-ring; pressure seal rings; seat disc; washer	
A7508AP	A8016B-50	Gaskets; jam ring; o-ring; pressure seal rings; seat disc; washers	
	7507A-20	Bonnet assembly	

Repair Kits

Part Number	Repair Kit	Kit Contents	Product Type
A7509AP	A7509A-50	Gaskets; jam ring; o-ring; pressure seal rings; seat disc; washer	Globe/Angle Valve
A7509BP	A7509-50	Gaskets; jam ring; o-ring; pressure seal rings; seat disc; washer	
TA7509BP	TA7509B-50	Gaskets; jam ring; o-ring; pressure seal rings; seat disc; washer	
	TA7509B-20	Bonnet assembly	
A7510AP	A7509A-50	Gaskets; jam ring; o-ring; pressure seal rings; seat disc; washer	
A7510BP	A7509-50	Gaskets; jam ring; o-ring; pressure seal rings; seat disc; washer	
	7509B-20	Bonnet assembly	
TA7510BP	TA7509B-50	Gaskets; jam ring; o-ring; pressure seal rings; seat disc; washer	
	TA7509B-20	Bonnet assembly	
A7511AP	A7511-50	Gaskets; jam ring; o-ring; pressure seal rings; seat disc; washer	
	A7511F-20	Bonnet assembly	
TA7511AP	TA7511-50	Gaskets; jam ring; o-ring; pressure seal rings; seat disc; washer	
A7511FP	A7511-50	Gaskets; jam ring; o-ring; pressure seal rings; seat disc; washer	
	A7511F-20	Bonnet assembly	
TA7511FP	TA7511-50	Gaskets; jam ring; o-ring; pressure seal rings; seat disc; washer	
A7512AP	A7511-50	Gaskets; jam ring; o-ring; pressure seal rings; seat disc; washer	
	A7511F-20	Bonnet assembly	
TA7512AP	TA7511-50	Gaskets; jam ring; o-ring; pressure seal rings; seat disc; washer	
A7512FP	A7511-50	Gaskets; jam ring; o-ring; pressure seal rings; seat disc; washer	
	A7511F-20	Bonnet assembly	
TA7512FP	TA7511-50	Gaskets; jam ring; o-ring; pressure seal rings; seat disc; washer	
A7513AP	A7513-50	Gaskets; jam ring; o-ring; pressure seal rings; seat disc; washer	
	7513A-20	Bonnet assembly	
TA7513AP	TA7513-50	Gaskets; jam ring; o-ring; pressure seal rings; seat disc; washer	
	TA7513-20	Bonnet assembly	
A7513FP	A7513-50	Gaskets; jam ring; o-ring; pressure seal rings; seat disc; washer	
	A7513F-20	Bonnet assembly	
TA7513FP	TA7513-50	Gaskets; jam ring; o-ring; pressure seal rings; seat disc; washer	
	TA7513F-20	Bonnet assembly	
A7514AP	A7513-50	Gaskets; jam ring; o-ring; pressure seal rings; seat disc; washer	
	7513A-20	Bonnet assembly	
TA7514AP	TA7513-50	Gaskets; jam ring; o-ring; pressure seal rings; seat disc; washer	
	TA7513-20	Bonnet assembly	
A7514FP	A7513-50	Gaskets; jam ring; o-ring; pressure seal rings; seat disc; washer	
	A7513F-20	Bonnet assembly	
TA7514FP	TA7513-50	Gaskets; jam ring; o-ring; pressure seal rings; seat disc; washer	
	TA7513F-20	Bonnet assembly	
A7517AP	A7515-50	Gaskets; jam ring; o-ring; pressure seal rings; seat disc; washer	
	A7515-20	Bonnet assembly	
TA7517AP	TA7515-50	Gaskets; jam ring; o-ring; pressure seal rings; seat disc; washer	
	TA7515-20	Bonnet assembly	
A7517FP	A7515-50	Gaskets; jam ring; o-ring; pressure seal rings; seat disc; washer	
	A7515-20	Bonnet assembly	

Repair Kits

Part Number	Repair Kit	Kit Contents	Product Type
TA7517FP	TA7515-50	Gaskets; jam ring; o-ring; pressure seal rings; seat disc; washer	Globe/Angle Valve
	TA7515-20	Bonnet assembly	
A7518FP	A7515-50	Gaskets; jam ring; o-ring; pressure seal rings; seat disc; washer	
	A7515-20	Bonnet assembly	
TA7518FP	TA7515-50	Gaskets; jam ring; o-ring; pressure seal rings; seat disc; washer	
	TA7515-20	Bonnet assembly	
7550P Series	7550-15	Bonnet assembly	
A7550P Series	A7550-15	Bonnet assembly	
A7550UP	A7550-15	Bonnet assembly	
7551P	7550-15	Bonnet assembly	
A7551UP	A7550-15	Bonnet assembly	
7554LV	7554L-20	Bonnet assembly	
7554LAV	7554L-20	Bonnet assembly	
7554SAV	7554S-20	Bonnet assembly	
7554SV	7554S-20	Bonnet assembly	
7556VR Series	19104-50	Service valve: Complete multibonnet assembly; bonnet assembly; hand-wheel; self tapping screw	Multivalve® assembly
	19104-80	Service valve: Upper packing for 19104-50 seal rings for multibonnet assembly only	
	19100-50B	Service valve: Complete standard bonnet assembly; bonnet assembly; hand-wheel; self tapping screw	
	8475-51A	Vapor Equalizing: Body; gaskets; spring; stem and seat disc assembly	
	8475-81A	Vapor Equalizing: Gaskets; spring stem and seat disc assembly	
7556R Series	19104-50	Service valve: Complete multibonnet assembly; bonnet assembly; hand-wheel; self tapping screw	
	19104-80	Service valve: Upper packing for 19104-50 seal rings for multibonnet assembly only	
	19100-50B	Service valve: Complete standard bonnet assembly; bonnet assembly; hand-wheel; self tapping screw	
	8475-51A	Vapor Equalizing: Body; gaskets; spring; stem and seat disc assembly	
	8475-81A	Vapor Equalizing: Gaskets; spring stem and seat disc assembly	
7573D Series	7573D-81	spring stem and seat disc assembly	Vapor Equalizing Valve
L7579	L7579-51	Gaskets; spring stem and seat disc assembly; upper body	Filler Valve
	L7579-81	Gaskets; spring stem and seat disc assembly	
	E7579-KIT	Extension conversion kit to E7579	
7579P	7579-50	Gaskets; spring stem and seat disc assembly; upper body	
	7579-80	Gaskets; spring stem and seat disc assembly	
SFL7579V Series	SFL7579-50L	Extension Kit	
	SFL7579-51	Gaskets; spring stem and seat disc assembly; upper body	
A7616	A7616-20	Indicator and 2 – mounting screw	Sight Flow Indicator
A7620			
7647S Series	7647B-80A	Gaskets; spring stem and seat disc assembly	Filler Valve
SF7647V Series	SF7647V-80A	Gaskets; spring stem and seat disc assembly	
7704 Series	7554-21	Bonnet assembly	Globe/Angle Valve
A7704 Series	A7705-50	Flange packing; friction washer; gaskets; seat disc	
7705P	7554-20	Bonnet assembly	
A7705 Series	A7705-50	Flange packing; friction washer; gaskets; seat disc	
7706P	7554-21	Bonnet assembly	
A7706 Series	A7705-50	Flange packing; friction washer; gaskets; seat disc	

Repair Kits

Part Number	Repair Kit	Kit Contents	Product Type
A7707L	A7707-50	Gaskets; groove pin; jam ring; o-ring; pressure seal rings; seat disc; washers	Quick-Acting Valve
A7708L	A7707-50	Gaskets; groove pin; jam ring; o-ring; pressure seal rings; seat disc; washers	
A7793A Series	A7797A-4	Bonnet/Stem & Lever Assy	
	A7797A-5	Seat Disc & Stem Assy.	
	A7797-50	Gaskets; groove pin; jam ring; o-ring; pressure seal rings; seat disc; washers	
	A7797A-75	Bonnet/Stem Assy	
A7794	A7794-50	o-ring; gasket; set screw; cotter pin; seat disc	Sight Flow
A7796	A7796-50	o-ring; gasket; set screw; cotter pin; seat disc	
A7797A Series	A7797A-4	Bonnet/Stem & Lever Assy	Quick-Acting Valve
	A7797A-5	Seat Disc & Stem Assy.	
	A7797-50	Gaskets; groove pin; jam ring; o-ring; pressure seal rings; seat disc; washers	
	A7797A-75	Bonnet/Stem Assy	
A7853A	A7853A-50	Block v-packing; gaskets; o-rings; piston stem and yoke; roll pin; seat disc retainer assembly; springs	Internal Valves
A7883	A7883F-50	Bleeder assembly; bushing; cap; cap screws; filters; gaskets; lock washers; needle valve kit; o-rings; retaining ring; roll pin; screen filter; seal; set screws; springs; stem assembly kit; v-ring; x-seal	
	A7883F-80	Bushing; cylinder cap screws; filters; gaskets; insert; o-rings; retaining ring; seal disc; v-ring; x-seals	
	A7883F-150	Gaskets; seal disc; x-seal	
TA7894	TA7894-50	Gaskets; groove pin; jam ring; o-ring; pressure seal rings; seat disc; washers	Rail
7901 Series	7901T-50	Bonnet Assy; Gasket & lever	Quick-Acting Valve
A8012C	7511A-20	Bonnet Assy	Multipurpose Valve
A8012D	7511A-20	Bonnet Assy	
A8012E	7511A-20	Bonnet Assy	
A8016DP	A8016B-50	Gaskets; jam ring; o-ring; pressure seal rings; seat disc; washers	Globe/Angle Valve
	A7507A-20	Bonnet Assy	
A8016DBC	A8016B-50	Gaskets; jam ring; o-ring; pressure seal rings; seat disc; washers	Multipurpose Valve
	A7507A-20	Bonnet Assy	
A8017DH	A8016B-50	Gaskets; jam ring; o-ring; pressure seal rings; seat disc; washers	
	A8017BH-20R	Bonnet and Stem Assy	
A8017DLP	A8016B-50	Gaskets; jam ring; o-ring; pressure seal rings; seat disc; washers	
		Bonnet Assy	
A8017DP	A8016B-50	Gaskets; jam ring; o-ring; pressure seal rings; seat disc; washers	
	A7507A-20	Bonnet Assy	
A8018DP	A8016B-50	Gaskets; jam ring; o-ring; pressure seal rings; seat disc; washers	
	A7507A-20	Bonnet Assy	
8117	7554-20	Bonnet Assy	
	7579-50	Gaskets; spring stem and seat disc assembly; upper body	
	7579-80	Gaskets; spring stem and seat disc assembly	
8118P	7554-20	Bonnet Assy	
A8020D	A8016B-50	Gaskets; jam ring; o-ring; pressure seal rings; seat disc; washers	
	7507A-20	Bonnet assembly	

Repair Kits

Part Number	Repair Kit	Kit Contents	Product Type
G8475RL	19104-50	Service Valve: Complete Multi-Bonnet Assembly	Multivalve® assembly
	19104-80	Service Valve: Multi-Bonnet Upper Packing Assembly	
	8475L-50	Filler Valve: Upper body; gaskets; seat disc & retainer assy; spring	
	8475L-80	Filler Valve: Gaskets; seat disc & retainer assy; spring	
	8475L-50L	Filler Valve Extension Kit	
	8475-51A	Vapor Equalizing Valve: Upper body; gaskets; seat disc & retainer assy; spring	
	8475-81A	Vapor Equalizing Valve: Gaskets; seat disc & retainer assy; spring	
	3165C	Fixed Liquid Level Gauge	
	3165DB	Low Emissions Fixed Liquid Level Gauge	
G8475RLW	19104-50	Service Valve: Complete Multi-Bonnet Assembly	Multivalve® assembly
	19104-80	Service Valve: Multi-Bonnet Upper Packing Assembly	
	8475L-50	Filler Valve: Upper body; gaskets; seat disc & retainer assy; spring	
	8475L-80	Filler Valve: Gaskets; seat disc & retainer assy; spring	
	8475L-50L	Filler Valve Extension Kit	
	8475-51A	Vapor Equalizing Valve: Upper body; gaskets; seat disc & retainer assy; spring	
G8475RLW	8475-81A	Vapor Equalizing Valve: Gaskets; seat disc & retainer assy; spring	Multivalve® assembly
	3165C	Fixed Liquid Level Gauge	
	3165DB	Low Emissions Fixed Liquid Level Gauge	
8542 Series	8540-50	Bleeder valve Assy; packing gland; set screw; washer; key	Relief Manifold
AA8542 Series	8540-50	Bleeder valve Assy; packing gland; set screw; washer; key	
8555D Series	19100-50B	Service Valve: Complete bonnet assembly; bonnet/stem; o-ring; hand-wheel; self tapping screw	Multivalve® assembly
	19104-50	Service Valve: Complete multibonnet assembly- bonnet assembly; hand-wheel; self tapping screw	
	8555-50	Filler Valve: Gaskets; spring; spring guide; stem & seat disc assembly; upper body	
	8555-80	Filler Valve: Gaskets; spring; spring guide; stem & seat disc assembly	
8555R Series	19104-50	Service Valve: Complete multibonnet assembly- bonnet assembly; hand-wheel; self tapping screw	Multivalve® assembly
	19104-80	Service Valve: Multi-Bonnet Upper Packing Assembly	
	8555-50	Filler Valve: Gaskets; spring; spring guide; stem & seat disc assembly; upper body	
	8555-80	Filler Valve: Gaskets; spring; spring guide; stem & seat disc assembly	
8556	19101-50	Service Valve: Complete bonnet assembly; bonnet/stem; o-ring; hand-wheel; self tapping screw	Cylinder/Service Valve
8593AL	19104-50	Service Valve: Complete Multi-Bonnet Assembly	Multivalve® assembly
	19104-80	Service Valve: Multi-Bonnet Upper Packing Assembly	
	8475L-50	Filler Valve: Upper body; gaskets; seat disc & retainer assy; spring	
	8475L-80	Filler Valve: Gaskets; seat disc & retainer assy; spring	
	8475L-50L	Filler Valve Extension Kit	
	8475-51A	Vapor Equalizing Valve: Upper body; gaskets; seat disc & retainer assy; spring	
	8475-81A	Vapor Equalizing Valve: Gaskets; seat disc & retainer assy; spring	
A8560 Series	8560-50	Bleeder valves; seat ring assy's; pressure seal rings; packing gland; jam ring; washer; gaskets	Relief Manifold
A8570 Series	8560-50	Bleeder valves; seat ring assy's; pressure seal rings; packing gland; jam ring; washer; gaskets	
A9090 Series	A9090-50	Stem Assy & packing gland	Rotogage® dial

Repair Kits

Part Number	Repair Kit	Kit Contents	Product Type
9101C Series	19100-50B	Service Valve: Complete bonnet assembly; bonnet/stem; o-ring; hand-wheel; self tapping screw	Cylinder/Service Valve
	19104-50	Service Valve: Complete multibonnet assembly- bonnet assembly; hand-wheel; self tapping screw	
9101D	19100-50B	Service Valve: Complete bonnet assembly; bonnet/stem; o-ring; hand-wheel; self tapping screw	
	19104-50	Service Valve: Complete multibonnet assembly- bonnet assembly; hand-wheel; self tapping screw	
9101H3	19101-50	Service Valve: Complete bonnet assembly; bonnet/stem; o-ring; hand-wheel; self tapping screw	
9101H5	19101-50	Service Valve: Complete bonnet assembly; bonnet/stem; o-ring; hand-wheel; self tapping screw	
9101H6	19100-50B	Service Valve: Complete bonnet assembly; bonnet/stem; o-ring; hand-wheel; self tapping screw	
	19104-50	Service Valve: Complete multibonnet assembly- bonnet assembly; hand-wheel; self tapping screw	
9101P Series	19101-50	Service Valve: Complete bonnet assembly; bonnet/stem; o-ring; hand-wheel; self tapping screw	
9101R Series	19104-50	Service Valve: Complete Multi-Bonnet Assembly	
	19104-80	Service Valve: Multi-Bonnet Upper Packing Assembly	
9101Y Series	19100-50B	Service Valve: Complete bonnet assembly; bonnet/stem; o-ring; hand-wheel; self tapping screw	
	19104-50	Service Valve: Complete multibonnet assembly- bonnet assembly; hand-wheel; self tapping screw	
9102C1	19100-50B	Service Valve: Complete bonnet assembly; bonnet/stem; o-ring; hand-wheel; self tapping screw	
	19104-50	Service Valve: Complete multibonnet assembly- bonnet assembly; hand-wheel; self tapping screw	
9102D Series	19100-50B	Service Valve: Complete bonnet assembly; bonnet/stem; o-ring; hand-wheel; self tapping screw	
9102D Series	19104-50	Service Valve: Complete multibonnet assembly- bonnet assembly; hand-wheel; self tapping screw	
9102R Series	19104-50	Service Valve: Complete Multi-Bonnet Assembly	
	19104-80	Service Valve: Multi-Bonnet Upper Packing Assembly	
9103C Series	19100-50B	Service Valve: Complete bonnet assembly; bonnet/stem; o-ring; hand-wheel; self tapping screw	
	19104-50	Service Valve: Complete multibonnet assembly- bonnet assembly; hand-wheel; self tapping screw	
9103D Series	19100-50B	Service Valve: Complete bonnet assembly; bonnet/stem; o-ring; hand-wheel; self tapping screw	
	19104-50	Service Valve: Complete multibonnet assembly- bonnet assembly; hand-wheel; self tapping screw	
9104 Series	19100-50P	Service Valve: Complete bonnet assembly; bonnet/stem; o-ring; hand-wheel; self tapping screw	
9106CO Series	903-50	Service Valve: Bonnet stem seat disc assembly; large hand-wheel; self-tapping screw ..	
	903-51	Service Valve: Bonnet stem seat disc assembly; small hand-wheel; self-tapping screw ..	
9107K8A	19100-50B	Service Valve: Complete bonnet assembly; bonnet/stem; o-ring; hand-wheel; self tapping screw	
	19104-50	Service Valve: Complete multibonnet assembly- bonnet assembly; hand-wheel; self tapping screw	
9300R	19104-50	Service Valve: Complete Multi-Bonnet Assembly	
	19104-80	Service Valve: Multi-Bonnet Upper Packing Assembly	

Index

302.....	A44	970AW.....	A50	3131G.....	D16	5763D.....	H10	7142LF.....	H7
302V.....	A44	970AW.....	H12	3132G.....	D16	5764A.....	H10	7142LM.....	H7
302V9.....	A44	970AX.....	A50	3133G.....	D16	5764B.....	H10	7172.....	J4
302V9LS.....	A44	970AX.....	H12	3135G.....	D16	5764C.....	H10	7173.....	J4
597FA.....	A45	970AXS.....	A50	3135MG.....	D21	5764D.....	H10	7188.....	J15
597FB.....	A45	970AXS.....	H12	3139-18.....	A49	5764E.....	H10	7188-21.....	J15
597FC.....	A45	970HT.....	A50	3139-26.....	A49	5764W.....	H10	7188-50.....	R4
597FD.....	A45	970HT.....	H12	3139-38.....	A49	5765D.....	H10	7188MS.....	J15
612-PG.....	J26	970JR.....	A50	3144-9P.....	H9	5765E.....	H10	7193D.....	J15
901-400.....	B18	970JR.....	H12	3144-91.....	H9	5765F.....	H10	7193D-10.....	J20
901C1.....	B12	970S.....	A50	3146.....	F32	5765M.....	H10	7193D-10L.....	J15
901C3.....	B14	970S.....	H12	3146S.....	F32	5765PR.....	H9	7193D-10L.....	J21
901C5.....	B14	1212 KIT.....	A53	3165C.....	J24	5766E.....	H10	7193L-10A.....	J22
903-50.....	R1	1224WA.....	J25	3165C.....	R8	5766F.....	H10	7193T-10.....	J20
903-50.....	R9	1300.....	A51	3165C.....	R8	5767F.....	H10	7193U-10.....	J20
903-51.....	R1	1300.....	H13	3165CF.....	J24	5767H.....	H10	7193U-10L.....	J21
903-51.....	R9	1316WA.....	J25	3165CF12.0.....	J24	5768H.....	H10	7193U-10S.....	J20
903-400.....	B18	1318WA.....	J25	3165D.....	J24	5768HVSS.....	H10	7194-1.....	J15
903-500.....	B18	1328.....	A51	3165DB.....	R8	5769H.....	H11	7194H-3.....	J15
903-500.....	C13	1328.....	A53	3165DB.....	R8	5769HVB.....	H11	7194M-3A.....	J15
903-500.....	E24	1328.....	H13	3165DF.....	J24	5769HVP.....	H11	7501L.....	F23
907FP.....	H9	1331.....	A51	3165DF12.0.....	J24	5769K.....	H10	7502L.....	F23
912FA20.....	A52	1331.....	A53	3170.....	F30	5769M.....	H11	7505AP.....	E13
912FA20.....	H14	1331.....	H13	3171.....	H5	5769M.....	H10	7506AP.....	E13
912FS12.....	A52	1332.....	A51	3171A.....	H5	5769M.....	H11	7507A-20.....	R4
912FS12.....	H14	1332.....	A53	3174-9P.....	H9	5828.....	A43	7507A-20.....	R7
912FS20.....	A52	1332.....	H13	3174-93.....	H9	5829.....	A43	7507AP.....	E13
912FS20.....	H14	1350E.....	A53	3174C.....	F29	5832.....	A43	7508AP.....	E13
912FS30.....	A52	1350R.....	A53	3175.....	H5	5833.....	A43	7509B-20.....	R5
912FS30.....	H14	1450E.....	A53	3175A.....	H5	5839.....	A43	7509BP.....	E13
912FS36.....	A52	1450R.....	A53	3175B.....	H5	6016-60C.....	J10	7510BP.....	E13
912FS36.....	H14	1494-1.....	A51	3175P.....	H9	6016-60C.....	J11	7511A-20.....	R7
912JA20.....	A52	1519A2.....	F10	3176.....	F32	6016-60C.....	J13	7511A-20.....	R7
912JA20.....	H14	1519A3.....	F10	3179A.....	H8	6016-60D.....	J10	7511A-20.....	R7
912JS12.....	A52	1519A4.....	F10	3179B.....	H8	6016-60D.....	J11	7511AP.....	E13
912JS12.....	H14	1519B4.....	F10	3180C.....	F30	6016-60D.....	J14	7511FP.....	E13
912JS20.....	A52	1519C4.....	F9	3181.....	H5	6016OA.....	J10	7511FP.....	E13
912JS20.....	H14	1584VH.....	A46	3181A.....	H5	6016OA.....	J11	7512AP.....	E13
912JS36.....	A52	1584VL.....	A46	3183AC.....	F30	6016OA.....	J12	7513A-20.....	R5
912JS36.....	H14	1584VN.....	A46	3184-90.....	H9	6016OA.....	J13	7513A-20.....	R5
912PA20.....	A52	1586VH.....	A46	3185.....	H5	6016PN-50.....	J14	7513AP.....	E13
912PA20.....	H14	1586VL.....	A46	3188B.....	A50	6016PN-80.....	J14	7513FP.....	E13
912PA36.....	A52	1586VN.....	A46	3188B.....	H12	6016RM.....	J14	7513FP.....	E13
912PA36.....	H14	1588VH.....	A46	3188C.....	A50	6532A12.0.....	C10	7514AP.....	E13
912PA48.....	A52	1588VL.....	A46	3188C.....	H12	6532A12.0/6532R12.0.....	C10	7514FP.....	E13
912PA48.....	H14	1588VN.....	A46	3191.....	H5	6532R12.0.....	C10	7514FP.....	E13
912PS12.....	A52	1708C.....	H9	3194-90.....	H9	6533A10.5.....	C10	7517AP.....	E13
912PS12.....	H14	2139.....	F14	3194C.....	F29	6533A10.5/6533R10.5.....	C10	7517FP.....	E13
912PS20.....	A52	2139A.....	F14	3195.....	H5	6533A11.7.....	C10	7517FP.....	E13
912PS20.....	H14	2302-43.....	A53	3195-50.....	J25	6533A11.7/6533R11.7.....	C10	7518AP.....	E13
912PS36.....	A52	2411.....	J26	3195S.....	H11	6533R10.5.....	C10	7518FP.....	E13
912PS36.....	H14	2434A.....	A53	3197C.....	F28	6533R11.7.....	C10	7518FP.....	E13
912PS48.....	A52	2503-19.....	A49	3199W.....	A50	6542A12.0.....	C10	7525B4.....	A41
912PS48.....	H14	2503-22.....	A49	3199W.....	F17	6542A12.0/6542R12.0.....	C10	7525B4.....	A41
913JS05.....	A52	2723C.....	F16	3199W.....	H12	6542B-50.....	R3	7525B34.....	A41
913JS05.....	H14	2884D.....	F17	3200C.....	G20	6542B-50.....	R3	7525B34.....	A41
913JS05A.....	A52	2906A.....	A51	3200L.....	G20	6542B-50.....	R3	7534B.....	D15
913JS05A.....	H14	2906A.....	H13	3272E.....	F11	6542B-50.....	R3	7534G.....	D15
913JS12.....	A52	2906D.....	A51	3272F.....	F11	6542B-50.....	R3	7550-15.....	R6
913JS12.....	H14	2906D.....	H13	3272G.....	F11	6542B-50.....	R4	7550-15.....	R6
913JS20.....	A52	2906E.....	A51	3272H.....	F11	6542B-50.....	R4	7550P.....	E17
913JS20.....	H14	2906E.....	H13	3272H.....	F12	6542B-50.....	R4	7550PX.....	E17
913KL12.....	A52	2906F.....	A51	3282A.....	F11	6542B-80.....	R3	7551P.....	E17
913KL12.....	H14	2906F.....	H13	3282B.....	F11	6542B-80.....	R3	7553T-50.....	R4
913LS12.....	A52	2906G.....	A51	3282C.....	F11	6542B-80.....	R3	7553T-80.....	R4
913LS12.....	H14	2906G.....	H13	3292A.....	F11	6542B-80.....	R3	7554-20.....	R6
913PS05.....	A52	2962.....	A54	3292B.....	F11	6542B-80.....	R3	7554-20.....	R7
913PS05.....	H14	3119A.....	H6	3403-31.....	A49	6542B-80.....	R4	7554-20.....	R7
913PS05A.....	A52	3120.....	H6	3705RC.....	H8	6542B-80.....	R4	7554-21.....	R6
913PS05A.....	H14	3121.....	H6	4403-30.....	A53	6542B-80.....	R4	7554-21.....	R6
913PS12.....	A52	3121-50.....	R1	5726B34.....	A43	6542R12.0.....	C10	7554L-20.....	R6
913PS12.....	H14	3125L.....	D18	5754B4.....	A43	6543A11.1.....	C10	7554L-20.....	R6
913PS12G.....	A52	3127G.....	D17	5760A.....	A51	6543A11.1/6543R11.1.....	C10	7554LAV.....	E8
913PS12G.....	H14	3127G.....	D18	5760A.....	H13	6543A11.7.....	C10	7554LV.....	E8
913PS12H.....	A52	3127H.....	D18	5760B.....	A51	6543A11.7/6543R11.7.....	C10	7554S-20.....	R6
913PS12H.....	H14	3127J.....	D18	5760B.....	H13	6543R11.1.....	C10	7554S-20.....	R6
913PS20.....	A52	3127K.....	D17	5760C.....	A51	6543R11.7.....	C10	7554SAV.....	E8
913PS20.....	H14	3127K.....	D18	5760C.....	H13	6555R10.6.....	C9	7554SV.....	E8
913PS30.....	A52	3127L.....	D18	5760D.....	A51	6555R11.6.....	C9	7556R12.0.....	C11
913PS30.....	H14	3127P.....	D18	5760D.....	H13	6555R12.0.....	C9	7560-63.....	D22
913PS36.....	A52	3127U.....	D18	5760S.....	A51	6584C.....	F29	7560-64.....	D22
913PS36.....	H14	3129G.....	D17	5760S.....	H13	6586D.....	F32	7572-400.....	F33
913PS48.....	A52	3129G.....	D18	5761A.....	A51	6587EC.....	F28	7572C-14A.....	F20
913PS48.....	H14	3129H.....	D18	5761A.....	H13	7034LP.....	E13	7572C-15A.....	F20
948.....	J26	3129J.....	D18	5761B.....	A51	7034P.....	E13	7573-20.....	F21
948GS.....	J26	3129K.....	D17	5761B.....	H13	7053T.....	E9	7573D.....	F30
970.....	A50	3129K.....	D18	5761C.....	A51	7141F.....	H6	7573D-81.....	R6
970.....	H12	3129L.....	D18	5761C.....	H13	7141FP.....	H9	7573DC.....	F30
970AS.....	A50	3129P.....	D18	5761D.....	A51	7141M.....	H6	7574.....	F11
970AS.....	H12	3129U.....	D18	5761D.....	H13	7141M-50.....	R4	7574L.....	F11

Index

7577V.....	H8	8685G.....	D15	19104-80.....	R8	A3213DT150.....	G21	A3500N4.....	F15
7579-50.....	R6	9101C1.....	B12	19104-80.....	R8	A3213DT200.....	G21	A3500P4.....	F15
7579-50.....	R7	9101D11.1.....	B12	19104-80.....	R8	A3213DT300.....	G21	A3500R6.....	F15
7579-80.....	R6	9101D11.7.....	B12	19104-80.....	R8	A3213DT400.....	G21	A3500T6.....	F15
7579-80.....	R7	9101H3.....	B14	19104-80.....	R9	A3213OA.....	G11	A3500V6.....	F15
7579P.....	F22	9101H5.....	B14	19104-80.....	R9	A3213OA.....	G21	A4500Y8.....	F15
7579S.....	F28	9101H6.....	B14	19104-80.....	R9	A3213PA.....	G21	A5764D.....	H10
7580F-20.....	F20	9101P5.....	B15	A1519A2.....	F10	A3213PA.....	G22	A5764W.....	H10
7583G.....	D15	9101P5H.....	B15	A1519A4.....	F10	A3213R-50.....	R1	A5765D.....	H10
7590U.....	F19	9101P6.....	B15	A1519A6.....	F10	A3217A-6.....	R1	A5765E.....	H10
7590U-10.....	F20	9101P6H.....	B15	A1519B4.....	F10	A3217A-80G.....	R1	A5765F.....	H10
7590U-20.....	F19	9101R1.....	B12	A2137.....	F14	A3217AL160.....	G9	A5768H.....	H10
7591U.....	F19	9101R11.1.....	B12	A2137A.....	F14	A3217AL160.....	G14	A5769H.....	H10
7605A-BT.....	J14	9101R11.7.....	B12	A2141A6.....	J7	A3217AL210.....	G9	A6000-20.....	R2
7605AP-15.....	J14	9101Y5H.....	B14	A2141A6-50.....	R1	A3217AL210.....	G14	A6000-20.....	R2
7605AP-16.....	J14	9102D11.1.....	B12	A2141A6L.....	J7	A3217AL260.....	G9	A6000-60D.....	J12
7647B-80A.....	R6	9102D11.7.....	B12	A2141A6M.....	R1	A3217AL260.....	G14	A6006.....	J12
7647DC.....	F27	9102R11.1.....	B12	A2141A8.....	J7	A3217AL410.....	G9	A6008.....	J12
7647SC.....	F27	9102R11.7.....	B12	A2141A8-50.....	R1	A3217AL410.....	G14	A6008-50.....	R2
7704LP.....	E16	9103D10.6.....	B9	A2141A8L.....	J7	A3217AL510.....	G9	A6008-50.....	R2
7704P.....	E16	9103D11.6.....	B9	A2141A8M.....	R1	A3217AL510.....	G14	A6008-80.....	R2
7705P.....	E16	9104PPA.....	B16	A2141A10.....	J7	A3217ALPA.....	G14	A6008-80.....	R2
7706P.....	E16	9104PT10.1.....	B16	A2141A10-50.....	R1	A3217ALPA.....	G14	A6010.....	J11
7901T.....	E9	9104PT10.7.....	B16	A2141A16.....	J7	A3217ALPA.....	G14	A6010-20.....	R2
7901T-50.....	R7	9106CO.....	B10	A2141A16-50.....	R1	A3217AR160.....	G9	A6010-20.....	R2
7901TA.....	E9	9107K8A.....	B11	A2141A16M.....	R1	A3217AR160.....	G14	A6010-50.....	R2
7901TB.....	E9	10538P.....	H8	A2697-20R.....	F22	A3217AR210.....	G9	A6010-80.....	R2
7901TB.....	J15	12472.....	F11	A2697-20R.....	F29	A3217AR210.....	G14	A6010-80.....	R2
7901TC.....	E9	12802.....	J23	A2797-20R.....	F22	A3217AR260.....	G9	A6016.....	J10
7901TLA.....	E10	12982.....	H12	A2797-20R.....	F29	A3217AR260.....	G14	A6016-20.....	R2
7901TLB.....	E10	15774-1.....	A51	A2805C.....	J23	A3217AR410.....	G9	A6016-20.....	R2
7901TLC.....	E10	15774-1.....	H13	A3146.....	F32	A3217AR410.....	G14	A6016-50.....	R2
8117.....	E23	19100-50B.....	R3	A3149G.....	D16	A3217AR510.....	G9	A6016-80.....	R2
8118P.....	E23	19100-50B.....	R3	A3149L055.....	D16	A3217AR510.....	G14	A6016-80.....	R2
8475-51A.....	R6	19100-50B.....	R3	A3149L200.....	D16	A3217ARPA.....	G14	A6024.....	J10
8475-51A.....	R6	19100-50B.....	R4	A3149MG.....	D16	A3217ARPA.....	G14	A6024-20.....	R2
8475-51A.....	R8	19100-50B.....	R4	A3175.....	H5	A3217ARPA.....	G14	A6024-20.....	R2
8475-51A.....	R8	19100-50B.....	R6	A3175A.....	H5	A3217DAL160.....	G9	A6024-50.....	R2
8475-51A.....	R8	19100-50B.....	R6	A3175P.....	H9	A3217DAL160.....	G14	A6024-80.....	R2
8475-81A.....	R6	19100-50B.....	R8	A3176.....	F32	A3217DAL210.....	G9	A6024-80.....	R2
8475-81A.....	R6	19100-50B.....	R9	A3184-8R.....	F22	A3217DAL210.....	G14	A6586D.....	F32
8475-81A.....	R8	19100-50B.....	R9	A3185.....	H5	A3217DAL260.....	G9	A7505-50.....	R4
8475-81A.....	R8	19100-50B.....	R9	A3186.....	F32	A3217DAL260.....	G14	A7505-50.....	R4
8475-81A.....	R8	19100-50B.....	R9	A3187S.....	F32	A3217DAL410.....	G9	A7505A-20.....	R4
8475L-50.....	R8	19100-50B.....	R9	A3194-8R.....	F22	A3217DAL410.....	G14	A7505A-20.....	R4
8475L-50.....	R8	19100-50B.....	R9	A3194-90.....	H9	A3217DAL510.....	G9	A7505AP.....	E12
8475L-50.....	R8	19100-50B.....	R9	A3195.....	H5	A3217DAL510.....	G14	A7506AP.....	E12
8475L-50L.....	R8	19100-50B.....	R9	A3195S.....	H11	A3217DAR160.....	G9	A7507-50.....	R4
8475L-50L.....	R8	19100-50B.....	R9	A3196.....	F32	A3217DAR160.....	G14	A7507A-20.....	R7
8475L-50L.....	R8	19100-50P.....	R9	A3198S.....	F32	A3217DAR210.....	G9	A7507A-20.....	R7
8475L-80.....	R8	19101-50.....	R8	A3209D-50.....	R1	A3217DAR210.....	G14	A7507A-20.....	R7
8475L-80.....	R8	19101-50.....	R9	A3209D050.....	G12	A3217DAR260.....	G9	A7507A-20.....	R7
8475L-80.....	R8	19101-50.....	R9	A3209D-50T.....	R1	A3217DAR260.....	G14	A7507AP.....	E12
8532AG.....	D21	19104-50.....	R3	A3209D-50T.....	R1	A3217DAR410.....	G9	A7508AP.....	E12
8533AG.....	D21	19104-50.....	R3	A3209D080.....	G12	A3217DAR410.....	G14	A7509-50.....	R5
8540-50.....	R8	19104-50.....	R3	A3209DT050.....	G12	A3217DAR510.....	G9	A7509-50.....	R5
8540-50.....	R8	19104-50.....	R3	A3209DT080.....	G12	A3217DAR510.....	G14	A7509A-50.....	R5
8542AG.....	D20	19104-50.....	R3	A3209OA.....	G11	A3217F-50.....	R1	A7509A-50.....	R5
8542G.....	D20	19104-50.....	R3	A3209OA.....	G12	A3217LOA.....	G11	A7509BP.....	E12
8543G.....	D13	19104-50.....	R4	A3209OA.....	G13	A3217LOA.....	G14	A7510BP.....	E12
8543T.....	D13	19104-50.....	R4	A3209PA.....	G12	A3217LOA.....	G14	A7511-50.....	R5
8544A375T.....	D13	19104-50.....	R4	A3209PAF.....	G12	A3217LOA.....	G14	A7511-50.....	R5
8544G.....	D13	19104-50.....	R4	A3209PAF.....	G13	A3217ROA.....	G11	A7511-50.....	R5
8544K.....	D13	19104-50.....	R4	A3209R-80.....	R1	A3217ROA.....	G14	A7511-50.....	R5
8544T.....	D13	19104-50.....	R6	A3209R-80.....	R1	A3217ROA.....	G14	A7511AP.....	E12
8545-500.....	D24	19104-50.....	R6	A3211D-50.....	R1	A3217ROA.....	G14	A7511F-20.....	R5
8545AK.....	D14	19104-50.....	R8	A3211D080.....	G13	A3218FPA.....	G18	A7511F-20.....	R5
8546G.....	D13	19104-50.....	R8	A3211D110.....	G13	A3218LOA.....	G18	A7511F-20.....	R5
8546T.....	D13	19104-50.....	R8	A3212A-80.....	R1	A3218PA.....	G19	A7511F-20.....	R5
8555-50.....	R4	19104-50.....	R8	A3212OA.....	G11	A3218ROA.....	G19	A7511FP.....	E12
8555-50.....	R4	19104-50.....	R8	A3212OA.....	G22	A3219FA-80G.....	R1	A7512AP.....	E12
8555-50.....	R8	19104-50.....	R9	A3212R-50.....	R1	A3219FA600L.....	G16	A7513-50.....	R5
8555-50.....	R8	19104-50.....	R9	A3212R105.....	G22	A3219FPA.....	G16	A7513-50.....	R5
8555-80.....	R4	19104-50.....	R9	A3212R175.....	G22	A3219OA.....	G16	A7513-50.....	R5
8555-80.....	R4	19104-50.....	R9	A3212R250.....	G22	A3219RT.....	G20	A7513-50.....	R5
8555-80.....	R8	19104-50.....	R9	A3212R-N105.....	R1	A3219TF.....	J14	A7513AP.....	E12
8555-80.....	R8	19104-50.....	R9	A3212R-N175.....	R1	A3219TF25.....	J14	A7513F-20.....	R5
8555-CC.....	H9	19104-50.....	R9	A3212R-N250.....	R1	A3272E.....	F11	A7513F-20.....	R5
8555D10.6.....	C9	19104-50.....	R9	A3212RT105.....	G22	A3272F.....	F11	A7513FP.....	E12
8555D11.6.....	C9	19104-50.....	R9	A3212RT175.....	G22	A3272G.....	F11	A7514AP.....	E12
8555DL11.6.....	C8	19104-50.....	R9	A3212RT250.....	G22	A3276BC.....	F32	A7514FP.....	E12
8555DL11.6.....	C8	19104-50.....	R9	A3213A-80.....	R1	A3282A.....	F11	A7515-20.....	R5
8555R10.6.....	C9	19104-50.....	R9	A3213D150.....	G21	A3282C.....	F11	A7515-20.....	R5
8555R11.6.....	C9	19104-80.....	R3	A3213D200.....	G21	A3292A.....	F11	A7515-20.....	R6
8556.....	B17	19104-80.....	R3	A3213D300.....	G21	A3292B.....	F11	A7515-50.....	R5
8560-50.....	R8	19104-80.....	R4	A3213D400.....	G21	A3292C.....	F11	A7515-50.....	R5
8560-50.....	R8	19104-80.....	R4	A3213D-K150.....	R1	A3292D.....	F11	A7515-50.....	R6
8593AL16.0.....	C7	19104-80.....	R4	A3213D-K200.....	R1	A3400L4.....	F33	A7517AP.....	E12
8593AL16.0.....	C7	19104-80.....	R6	A3213D-K300.....	R1	A3400L6.....	F33	A7517FP.....	E12
8684G.....	D15	19104-80.....	R6	A3213D-K400.....	R1	A3500L4.....	F15	A7518AP.....	E12

Index

A7518FP	E12	A8434N	D12	E7579	F22	LV4403H4620	A29	SFL7579VE12.3	F25
A7537L4	F13	A8436G	D12	E7579C	F22	LV4403H6614	A29	SFL7579VE13.0	F25
A7537L4F	F13	A8436N	D12	E7579-KIT	R6	LV4403SR4	A26	SFL7579VE13.8	F25
A7537N4	F13	A8523	F13	FA6010	J13	LV4403SR4VI	A26	SFL7579VE15.1	F25
A7537N4F	F13	A8525	F13	FA6016	J13	LV4403SR9	A26	SFL7579VE17.1	F25
A7537P4	F13	A8563G	D23	FA6016-60D	J13	LV4403SR66	A26	SS8001G	D18
A7537P4F	F13	A8564G	D23	FA6024	J13	LV4403SR66VI	A26	SS8001H	D18
A7539R6	F13	A8573G	D23	FVA6010	J13	LV4403SR96	A26	SS8001J	D18
A7539R6F	F13	A8574G	D23	FVA6016	J13	LV4403SR96VI	A26	SS8001K	D18
A7539T6	F13	A9090-50	R8	FVA6024	J13	LV4403TR4	A26	SS8001L	D18
A7539T6F	F13	A9091-18L	J5	G8475RL	C6	LV4403TR4V9	A26	SS8001N	D18
A7539V6	F13	A9091-18LX	J5	G8475RL	C6	LV4403TR4VI	A26	SS8001P	D18
A7539V6F	F13	A9091-18N	J5	G8475RLW	C6	LV4403TR9	A26	SS8001U	D18
A7550-15	R6	A9091-M24.0	J5	G8475RLW	C6	LV4403TR9V9	A26	SS8002G	D18
A7550-15	R6	A9091-M36.0	J5	HA7513AP	E14	LV4403TR66	A26	SS8002H	D18
A7550-15	R6	A9091-M48.0	J5	HA7514AP	E14	LV4403TR96	A26	SS8002J	D18
A7550P	E17	A9091-M60.0	J5	HA7517AP	E14	LV4403TR96V9	A26	SS8002K	D18
A7550PX	E17	A9091-M72.0	J5	HA7518AP	E14	LV4403Y4	A35	SS8002L	D18
A7551P	E17	A9091R	J6	L6579	F22	LV4403Y4D	A36	SS8002N	D18
A7571LA	H4	A9092R	J6	L6579C	F22	LV4403Y46R	A35	SS8002P	D18
A7571LB	H4	A9093RS	J6	L7579	F22	LV4403Y46RD	A36	SS8002U	D18
A7575L2	H4	A9093TS	J6	L7579-51	R4	LV4403Y66	A35	SS8021G	D18
A7575L3	H4	A9094RS	J6	L7579-51	R6	LV4403Y66D	A36	SS8021H	D18
A7575L4	H4	A9094TS	J6	L7579-81	R4	LV4403Y66R	A35	SS8021J	D18
A7575L5	H4	A9095RS	J6	L7579-81	R6	LV4403Y66RD	A36	SS8021K	D18
A7616	J16	A9095TS	J6	LV404B4	A38	LV5503B4	A33	SS8021L	D18
A7616-20	R6	AA3126L030	D16	LV404B4V9	A38	LV5503B6	A33	SS8021N	D18
A7624	J16	AA3126L250	D16	LV404B9	A38	LV5503B8	A33	SS8021P	D18
A7704LP	E16	AA3126L312	D16	LV404B9V9	A38	LV5503G4	A37	SS8021U	D18
A7704P	E16	AA3130UA250	D16	LV404B34	A39	LV5503H414	A34	SS8022G	D18
A7705-50	R6	AA3130UA265	D16	LV404B34V9	A39	LV5503H614	A34	SS8022H	D18
A7705-50	R6	AA3135UA250	D16	LV404B39	A39	LV5503H620	A34	SS8022J	D18
A7705-50	R6	AA3135UA250	D20	LV404B39V9	A39	LV5503H620V	A34	SS8022K	D18
A7705P	E16	AA3135UA250	D21	LV404B46	A38	LV5503H640	A34	SS8022L	D18
A7706P	E16	AA3135UA265	D16	LV404B46V9	A38	LV5503H640V	A34	SS8022P	D18
A7707-50	R7	AA3135UA265	D20	LV404B96	A38	LV5503H814	A34	SS8022U	D18
A7707-50	R7	AA3135UA265	D21	LV404B96V9	A38	LV5503H820	A34	SSA3218F160	G18
A7707L	E7	AA8532MA250	D21	LV404H415	A40	LV5503H840	A34	SSA3218F210	G18
A7708L	E7	AA8532MA265	D21	LV404H415V3	A40	LV5503Y6	A35	SSA3218F260	G18
A7793A	E5	AA8533MA250	D21	LV404H420	A40	LV5503Y8	A35	SSA3218F410	G18
A7793L	E6	AA8533MA265	D21	LV404H440	A40	M3131G	C6	SSA3218F510	G18
A7794	J17	AA8542UA250	D20	LV404H440V9	A40	MFA25BSS	J25	SSA3218FD160	G19
A7794-50	R7	AA8542UA265	D20	LV404H4620	A40	MFA250B	J25	SSA3218FD210	G19
A7796	J17	BA3211D080	G13	LV404Y9	A42	MFG250BF	J25	SSA3218FD260	G19
A7796-50	R7	BA3211D110	G13	LV404Y9V9	A42	MV3132G	C6	SSA3218FD410	G19
A7797-50	R7	BA3212R105	G22	LV404Y39	A42	MV3132G	D16	SSA3218FD510	G19
A7797-50	R7	BA3212R175	G22	LV404Y39V9	A42	N970P	H8	T3131G	D16
A7797A	E5	BA3212R250	G22	LV960-48	A53	OPD8475	F26	T3132G	D16
A7797A-4	R7	BA8434G	D12	LV960-72	A53	PG8475RL	C6	TA3169F12.0	J24
A7797A-4	R7	BA8436G	D12	LV960-80	A53	PG8475RL	C6	TA7034-50	R4
A7797A-5	R7	C5763N	H9	LV960-120	A53	PPAP	III	TA7034-50	R4
A7797A-5	R7	C5765N	H9	LV3403B44R	A30	PT30CA-KGA	J19	TA7034-50	R4
A7797A-75	R7	C5767N	H9	LV3403B46R	A30	PT912JS12	A52	TA7034LP	E12
A7797A-75	R7	C5769N	H9	LV3403B66R	A30	PT912JS20	A52	TA7034P	E12
A7797L	E6	D912J12	A52	LV3403TR	A25	PT912PS12	A52	TA7505AP	E12
A7853A	G25	D912J20	A52	LV3403TR9	A25	PT912PS20	A52	TA7506AP	E12
A7853A-50	R7	D912J30	A52	LV3403TR9V9	A25	PT912PS48	A52	TA7507-50	R4
A7853PA	G23	D912P12	A52	LV3403TRV9	A25	PT913PS12	A52	TA7507AP	E12
A7853PA	G25	D912P20	A52	LV4403-400	A54	PT6542A12.0	C10	TA7509B-20	R5
A7853PAF	G23	D912P30	A52	LV4403B1D	A28	PT6542A12.0/6542R12.0C10	A28	TA7509B-20	R5
A7853PAF	G25	D913P12	A52	LV4403B3D	A28	PT6542R12.0	C10	TA7509B-50	R5
A7883F-50	R7	D913P20	A52	LV4403B3RD	A28	PT6543A11.1	C10	TA7509B-50	R5
A7883F-80	R7	D913P30	A52	LV4403B4	A27	PT6543A11.1/6543R11.1C10	A27	TA7509BP	E12
A7883F-150	R7	D6555R10.6	C9	LV4403B4D	A28	PT6543A11.7	C10	TA7510BP	E12
A7883FK	G23	D6555R11.6	C9	LV4403B4D	A28	PT6543A11.7/6543R11.7C10	A28	TA7511-50	R5
A8012C	E18	D6555R12.0	C9	LV4403B16RABD	A28	PT6543R11.1	C10	TA7511-50	R5
A8012D	E18	D7556R12.0	C11	LV4403B16RAD	A28	PT6543R11.7	C10	TA7511-50	R5
A8012E	E18	D8555D10.6	C9	LV4403B16RD	A28	PT6800CA-KGA	J19	TA7511-50	R5
A8013D	F16	D8555D11.6	C9	LV4403B36D	A28	PT7556R12.0	C11	TA7511AP	E12
A8013DA	F16	D8555DL11.6	C8	LV4403B36RAD	A28	PT9102R1	B12	TA7511FP	E12
A8013DB	F16	D8555R10.6	C9	LV4403B36RAD	A28	PT9102R11.1	B12	TA7512AP	E12
A8016-9P	H9	D8555R11.6	C9	LV4403B36RD	A28	PT9102R11.7	B12	TA7513-20	R5
A8016-93	H9	D9101D11.1	B13	LV4403B46	A27	PTU-KIT	J18	TA7513-20	R5
A8016B-50	R4	D9101D11.7	B13	LV4403B46D	A28	RDM	G10	TA7513-50	R5
A8016B-50	R7	D9101R11.1	B13	LV4403B46R	A27	RTG2831N375	D19	TA7513-50	R5
A8016B-50	R7	D9101R11.7	B13	LV4403B46RD	A28	RTG2831V375	D19	TA7513-50	R5
A8016B-50	R7	D9102D11.1	B13	LV4403B66	A27	SF7647V08.2	F24	TA7513-50	R5
A8016B-50	R7	D9102D11.7	B13	LV4403B66D	A28	SF7647V08.8	F24	TA7513AP	E12
A8016B-50	R7	D9102R11.1	B13	LV4403B66R	A27	SF7647V09.3	F24	TA7513F-20	R5
A8016B-50	R7	D9102R11.7	B13	LV4403B66RA	A32	SF7647V11.0	F24	TA7513F-20	R5
A8016B-50	R7	D9103D10.6	B9	LV4403B66RA9	A32	SF7647V11.1	F24	TA7513FP	E12
A8016DBC	E19	D9103D11.6	B9	LV4403B66RAB	A32	SF7647V11.9	F24	TA7514FP	E12
A8016DP	E20	D9107K8A	B11	LV4403B66RABD	A28	SF7647V-80A	R6	TA7515-20	R5
A8017BH-20R	R7	DG8475RL	C6	LV4403B66RAD	A28	SFL7579-50L	R6	TA7515-20	R6
A8017DH	E21	DP8475RL	C6	LV4403B66RD	A28	SFL7579-51	R6	TA7515-20	R6
A8017DLP	E21	DPT7556R12.0	C11	LV4403H22	A29	SFL7579VE07.5	F25	TA7515-50	R5
A8017DP	E21	DPT9102D11.1	B13	LV4403H414	A29	SFL7579VE08.9	F25	TA7515-50	R6
A8018DP	E22	DPT9102D11.7	B13	LV4403H420	A29	SFL7579VE10.6	F25	TA7515-50	R6
A8020D	E21	DPT9102R11.1	B13	LV4403H4614	A29	SFL7579VE11.1	F25	TA7517AP	E12
A8434G	D12	DPT9102R11.7	B13					TA7517FP	E12

Index

TA7894-50.....	R7	VA6024-50.....	R2	X1586VH.....	A48
TSS3169.....	J24	VA8436G.....	D12	X1586VL.....	A48
VA6010.....	J11	VA8436N.....	D12	X1586VN.....	A48
VA6010-50.....	R2	W3132G.....	D16	X1588VH.....	A48
VA6016.....	J10	X1584VH.....	A48	X1588VL.....	A48
VA6016-50.....	R2	X1584VL.....	A48	X1588VN.....	A48
VA6024.....	J10	X1584VN.....	A48		



100 Rego Drive, Elon, NC
United States 27244

Phone: 336-449-7707
Fax: 336-449-6594

regoproducts.com

ecii@regoproducts.com

