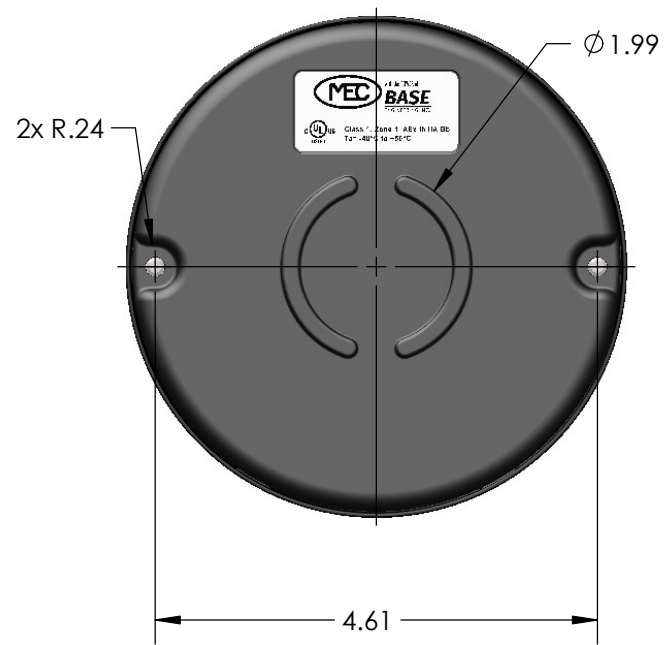
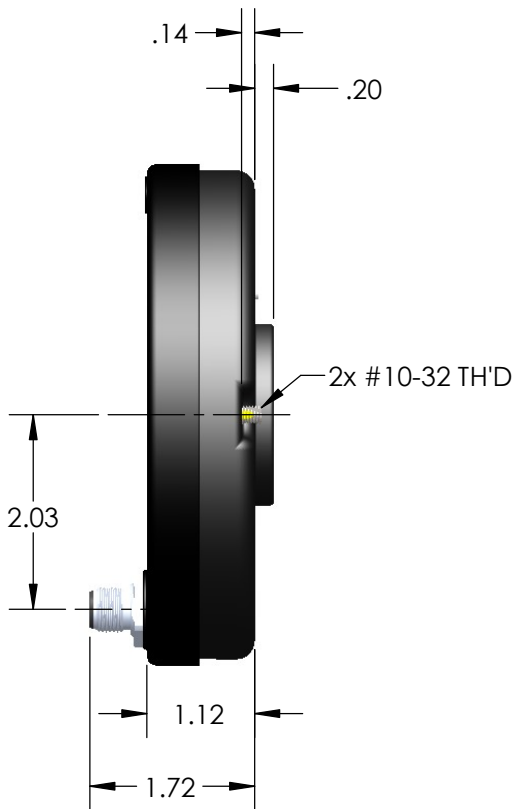




M12 CONNECTOR



THIS DOCUMENT IS THE PROPERTY OF MARSHALL EXCELSIOR CO. AND CONTAINS PROPRIETARY AND CONFIDENTIAL INFORMATION WHICH MAY NOT BE DUPLICATED, USED, OR DISCLOSED OTHER THAN AS EXPRESSLY AUTHORIZED BY MARSHALL EXCELSIOR CO.

Marshall Excelsior Company,
Marshall Michigan 49068

DESCRIPTION:
POSITIVE DISPLAY
DIGITAL DIAL GAUGE

SHT: 1 of 1 PART NO: ME930DD-905

A